

# NVE

National Vacuum Equipment

■ Part of Atlas Copco Group



## 887 PRO HEAVY DUTY VACUUM PUMPS PARTS CATALOG

**Challenger** Series  
VACUUM PUMPS & BLOWERS



MADE IN THE USA

Designed. Built. Supported in The USA.

800-253-5500 | [www.natvac.com](http://www.natvac.com)

## Features

- The NVE Challenger repair kits come with or without bearings and include the seals, gaskets, and vanes required for repair.
- The NVE Challenger flush kits come with all the required items to properly flush your Challenger vacuum pumps.
- The NVE Challenger Pump Oil is ISO 150; though this oil is not required, it is recommended to keep your vacuum pump lubricated properly, particularly in extreme conditions. Sold in 3.5 Gallon Jugs.

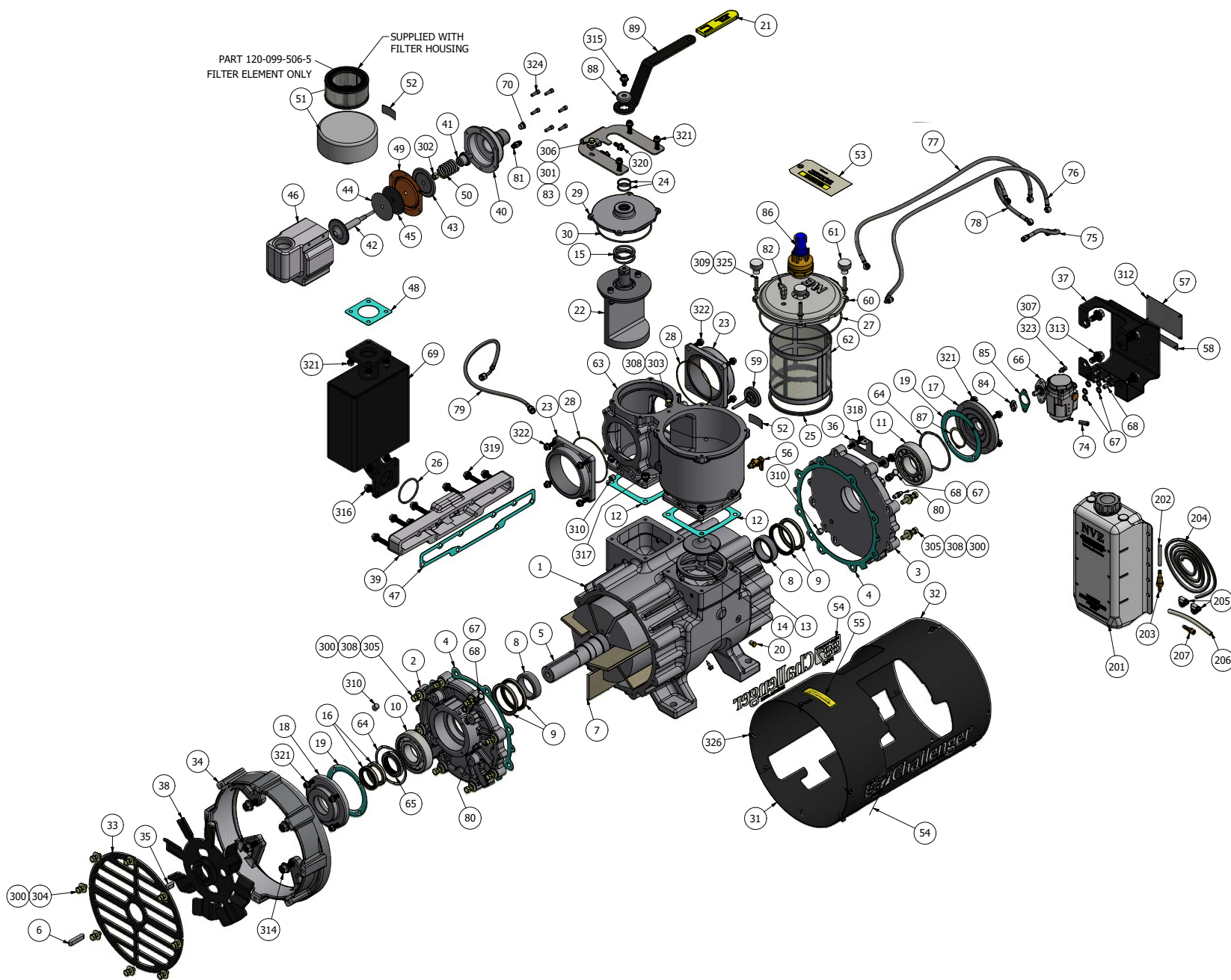


| PRODUCT DESCRIPTION  | PART NUMBER       | WEIGHT |
|--|-------------------|--------|
| Repair Kit   | 115-887-0         | 7 lbs  |
| Repair Kit (without bearings)  | 115-887-0B        | 4 lbs  |
| Flush Fluid Kit  | 320-081-002       | 2 lbs  |
| Oil Vacuum Pump R&O ISO 150/SAE 40 ND   Price per Gallon   3.5 Gallons per Jug | 150-220-VPOIL-150 | 28 lbs |

# 887 PRO Challenger Series CW Fan Cooled | Parts Diagram



MADE IN THE USA



# 887 PRO Challenger Series CW & CCW Parts List

# Challenger **Series**

| ITEM | QTY | PART NUMBER    | DESCRIPTION                                       |
|------|-----|----------------|---|
| 1    | 1   | 120-001-009    | HOUSING 887 PRO MACHINED                          |
| 2    | 1   | 120-003-008    | 887 ENDPLATE [CW DRIVE / CCW NON DRIVE], MACHINED |
| 3    | 1   | 120-003-009    | 887 ENDPLATE [CW NON DRIVE / CCW DRIVE], MACHINED |
| 4    | 2   | 120-004-001    | GASKET 887 ENDPLATE                               |
| 5    | 1   | 120-005-008    | 887 ROTOR ASSEMBLY                                |
| 6    | 1   | 120-006        | KEY 3/8" X 3/8" X 2"                              |
| 7    | 7   | 120-007-887- Z | VANE 887  |
| 8    | 2   | 120-009-004    | SEAL SLEEVE 887                                   |
| 9    | 4   | 120-018-001    | SEAL 70 X 85 X 08A VITON SGL LIP                  |
| 10   | 1   | 120-019-001    | BEARING BALL 887 DRIVE END                        |
| 11   | 1   | 120-019-002    | BEARING ROLLER 887 NON DRIVE END                  |
| 12   | 2   | 120-039-007    | GASKET 887 PRO INTAKE/EXHAUST                     |
| 13   | 1   | 120-041-887    | CHECK VALVE 887 PRO                               |
| 14   | 1   | 120-042-887    | 887 CHECK VALVE HOLDER MACHINED                   |
| 15   | 1   | 120-045        | SPRING 4-WAY FTR VALVE                            |
| 16   | 2   | 120-053-506    | SEAL 45 X 62 X 8 VITON                            |
| 17   | 1   | 120-054-005    | COVER BRNGS NON DRIVE END 887                     |
| 18   | 1   | 120-054-006    | COVER BRNGS DRIVE END 887                         |
| 19   | 2   | 120-055-001    | GASKET 887 BEARING COVER                          |
| 20   | 1   | 120-058        | PLUG BRASS HEX HEAD 1/8" NPT                      |
| 21   | 1   | 120-060-002    | GRIP, HANDLE W/ LOGO                              |
| 22   | 1   | 120-062-009    | 887 PLUG, MACHINED ASSY                           |
| 23   | 2   | 120-063-506    | FLANGE 4" NPT                                     |
| 24   | 2   | 120-064-017    | O-RING 2-216-VITON                                |
| 25   | 1   | 120-064-030    | O-RING SQUARE VITON 436                           |
| 26   | 1   | 120-064-032    | O-RING 2-230 VITON                                |
| 27   | 1   | 120-064-035    | O-RING 2-266 VITON                                |
| 28   | 2   | 120-064-506    | ORING, 2-158 SILICONE                             |
| 29   | 1   | 120-065-009    | TOWER 887 MACHINED                                |
| 30   | 1   | 120-068        | ORING, 2-252 VITON                                |
| 31   | 1   | 120-070-001    | TIN LOWER ROLLED 887                              |
| 32   | 1   | 120-071-001    | TIN UPPER ROLLED 887                              |
| 33   | 1   | 120-073-E      | FAN COVER 607/866 E-COAT                          |
| 34   | 1   | 120-074-002    | FAN SHROUD 887 MACHINED                           |
| 35   | 1   | 120-076        | KEY 3/8" X 3/8" X 1"                              |
| 36   | 1   | 120-077-001    | SHROUD SUPPORT PLATE 887                          |

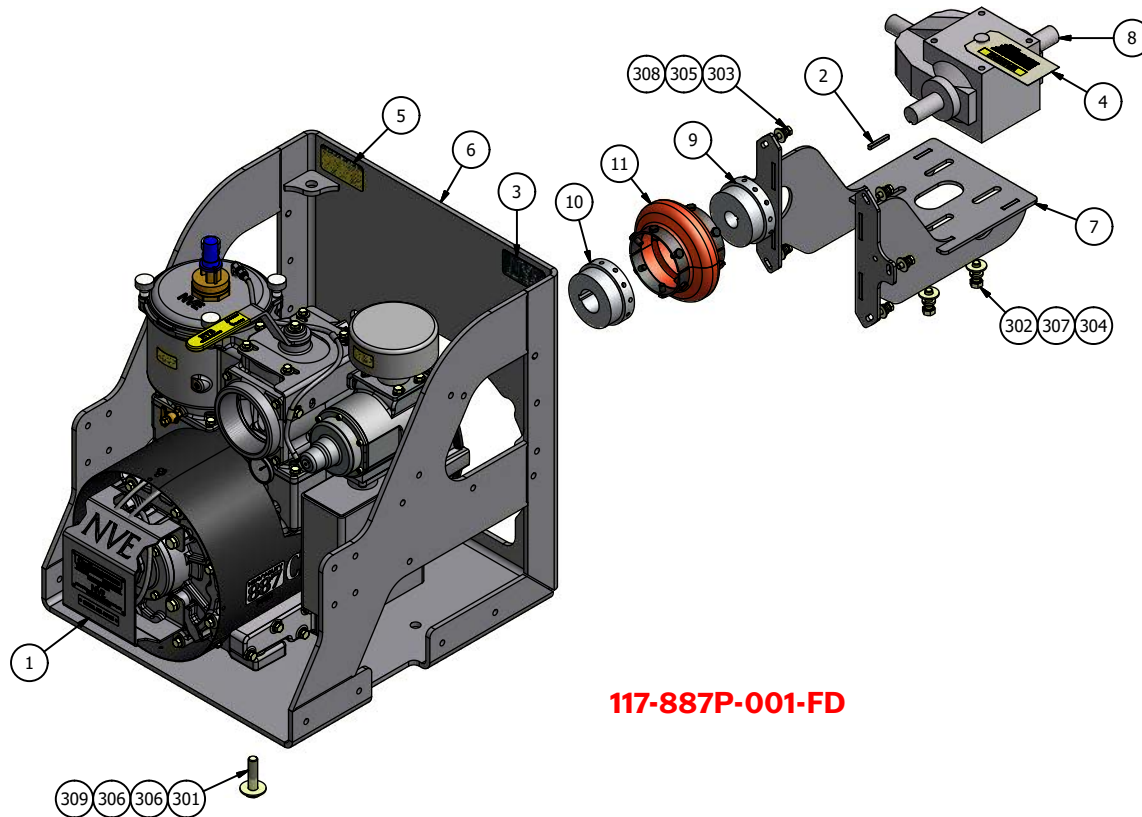
| ITEM | QTY | PART NUMBER       | DESCRIPTION                                |
|------|-----|-------------------|--|
| 37   | 1   | 120-079-008       | GUARD NVE OIL PUMP 607/887 W/ TAG MOUNT    |
| 38   | 1   | 120-084-003       | FAN ASSY CW 887                            |
| 39   | 1   | 120-090-009       | BALLAST MANIFOLD 887                       |
| 40   | 1   | 120-095-003       | COVER VALVE BALLAST VALVE MACHINED         |
| 41   | 1   | 120-095-004       | SCREW ADJUSTMENT BALLAST VALVE             |
| 42   | 1   | 120-095-005       | PLUNGER BALLAST VALVE MACHINED             |
| 43   | 1   | 120-095-006       | PISTON SEAT                                |
| 44   | 1   | 120-095-007       | DIAPHRAGM PLATE BALLAST VALVE              |
| 45   | 1   | 120-095-012       | GASKET BALLAST VALVE PROTECTIVE            |
| 46   | 1   | 120-095-013       | HOUSING BALLAST VALVE MACHINED             |
| 47   | 1   | 120-097-002       | GASKET 887 BALLAST MANIFOLD                |
| 48   | 1   | 120-097-003       | GASKET BALLAST VALVE LOWER                 |
| 49   | 1   | 120-097-004       | DIAPHRAGM BALLAST VALVE                    |
| 50   | 1   | 120-097-005       | COMPRESSION SPRING 1.375 O.D. X 1.041 I.D. |
| 51   | 1   | 120-099-506-4     | BALLAST FILTER ASSEMBLY, REMOTE            |
| 52   | 2   | 120-100-012       | DECAL CLEAN FILTER REGULARY YELLOW         |
| 53   | 1   | 120-100-014       | TOE TAG DECAL REIEF MUST BE SET            |
| 54   | 2   | 120-100-053       | DECAL, 887 PRO CHALLENGER HD               |
| 55   | 1   | 120-101-003       | DECAL CW ROTATION ARROW                    |
| 56   | 1   | 120-102           | VALVE, DRAIN 1/8" NPT                      |
| 57   | 1   | 120-105-887       | NAME PLATE SS 887                          |
| 58   | 1   | 120-107-001       | SERIAL TAG SS                              |
| 59   | 1   | 120-220           | THERMOMETER, 50- 400 DEG, 2" FACE          |
| 60   | 1   | 120-310-004       | COVER FLTR MACHINED 607 & B500             |
| 61   | 4   | 120-312-002       | KNOB, 5/16-18UNC                           |
| 62   | 1   | 120-314-005Z      | INTAKE FILTER 887 PRO                      |
| 63   | 1   | 120-320-005       | MANIFOLD 887 PRO MACHINED                  |
| 64   | 2   | 120-406-002       | WASHER WAVE, 887                           |
| 65   | 1   | 120-645-001       | LOCK NUT 887                               |
| 66   | 1   | 123-000-007       | OIL PUMP 4 PORT NVE                        |
| 67   | 12  | 123-013-001       | WASHER 3/8" SEALING VITON                  |
| 68   | 6   | 123-408-014       | BANJO BOLT 1/8" BSPP                       |
| 69   | 1   | 124-360-001       | BALLAST SILENCER IN-LINE 887               |
| 70   | 1   | 150-047-006       | PLUG SAE ORB -5 VITON                      |
| 71   | 1   | 150-220-VPOIL-150 | OIL VACUUM PUMP R&O ISO 150/SAE 40         |
| 72   | 1   | 280-355-282       | BALLAST VALVE BRACKET, 887 PRO             |

# 887 PRO Challenger Series CW & CCW | Parts List



| ITEM | QTY  | PART NUMBER               | DESCRIPTION                                      |
|------|------|---------------------------|--|
| 73   | 1    | 320-081                   | REMOTE OIL TANK KIT                              |
| 74   | 1    | 320-083-011               | CAP OIL PUMP FEED LINE FITTING                   |
| 75   | 1    | 320-407-017               | OIL LINE -3 SST FEMALE JIC TO BANJO 8.5"         |
| 76   | 1    | 320-407-029               | OIL LINE -3 SST 90 DEG JIC TO BANJO 37.125"      |
| 77   | 1    | 320-407-030               | OIL LINE -3 SST BANJO TO BANJO 32.00"            |
| 78   | 1    | 320-407-031               | OIL LINE -3 SST BANJO TO BANJO 11.50"            |
| 79   | 1    | 320-407-038               | OIL LINE -4 SST 90 DEG JIC TO FEMALE JIC 22.750" |
| 80   | 2    | 320-408-016               | FITTING STR -3 MJIC X 1/8 MNPT                   |
| 81   | 1    | 320-408-035               | FITTING STR -4 MJIC X 1/8 MNPT                   |
| 82   | 1    | 320-408-036               | FITTING ELBOW -4 MJIC X 1/4 MNPT                 |
| 83   | 1    | 320-409-017               | P-CLIP 3/8" ID 13/32" HOLE GALV                  |
| 84   | 1    | 320-LF8                   | DRIVE TAB  |
| 85   | 1    | 320-R31                   | GASKET, OIL PUMP                                 |
| 86   | 1    | 366-150                   | VACUUM RELIEF, 1 1/2" NPT                        |
| 87   | 1    | 400-026-887               | EXTERNAL RETAINING RING, 887                     |
| 88   | 1    | 412-020-003               | WASHER, CUP 4-WAY                                |
| 89   | 1    | 412-060-009               | HANDLE 4310 ENCLOSED                             |
| 200  | 1    | OWNERS MANUAL - 887       | OWNERS MANUAL 887                                |
| 201  | 1    | 320-082-001               | OIL TANK, 5QT, W/LOGO                            |
| 202  | 1    | 320-083-009               | OIL TANK FILTER, 100 MESH                        |
| 203  | 1    | 320-083-010               | FILTER FITTING, OIL TANK 1/4 NPT                 |
| 204  | 5 FT | 320-407-003               | OIL LINE, BLK 1/4" ID 30R7                       |
| 205  | 2    | 416-025-1WC               | CLAMP, WORM, 1/4" DIA                            |
| 206  | 6 IN | 320-R102                  | OIL LINE, 3/8" X 1/4" ID X 6" LG                 |
| 207  | 1    | 310-LP5                   | HOSE BARB, 1/4" X 1/8" NPT STRAIGHT              |
| 300  | 22   | FW - 3/8                  | FLAT WASHER, 3/8                                 |
| 301  | 1    | FW - 5/16                 | FLAT WASHER, 5/16                                |
| 302  | 1    | HEX NUT - 3/8 UNF         | HEX NUT - 3/8 UNF                                |
| 303  | 1    | HHCS - 3/8-16 UNC X 0.50  | HEX HEAD CAP SCREW - 3/8-16 UNC X 0.50           |
| 304  | 8    | HHCS - 3/8-16 UNC X 0.75  | HEX HEAD CAP SCREW - 3/8-16 UNC X 0.75           |
| 305  | 14   | HHCS - 3/8-16 UNC X 1.75  | HEX HEAD CAP SCREW - 3/8-16 UNC X 1.75           |
| 306  | 1    | HHCS - 5/16-18 UNC X 1.00 | HEX HEAD CAP SCREW - 5/16-18 UNC X 1.00          |
| 307  | 2    | LW - 1/4                  | LOCK WASHER, 1/4                                 |
| 308  | 15   | LW - 3/8                  | LOCK WASHER, 3/8                                 |
| 309  | 5    | LW - 5/16                 | LOCK WASHER, 5/16                                |
| 310  | 3    | PLUG - 1/4 NPT SH         | SOCKET HEAD PLUG - 1/4 NPT                       |

| ITEM | QTY | PART NUMBER                | DESCRIPTION   |
|------|-----|----------------------------|---|
| 311  | 6   | PLUG - 1/8 NPT SH          | SOCKET HEAD PLUG - 1/8 NPT                          |
| 312  | 6   | RVT 3/32 D X 1/4L SS       | BLIND RIVET, 3/32 DIA X 1/4 GRIP, SS                |
| 313  | 4   | SFHCS - 1/2-13 UNC X 1.00  | SERRATED FLANGE HEX HEAD SCREW - 1/2-13 UNC X 1.00  |
| 314  | 4   | SFHCS - 1/2-13 UNC X 1.50  | SERRATED FLANGE HEX HEAD SCREW - 1/2-13 UNC X 1.50  |
| 315  | 1   | SFHCS - 3/8-16 UNC X 0.75  | SERRATED FLANGE HEX HEAD SCREW - 3/8-16 UNC X 0.75  |
| 316  | 4   | SFHCS - 3/8-16 UNC X 1.00  | SERRATED FLANGE HEX HEAD SCREW - 3/8-16 UNC X 1.00  |
| 317  | 8   | SFHCS - 3/8-16 UNC X 1.25  | SERRATED FLANGE HEX HEAD SCREW - 3/8-16 UNC X 1.25  |
| 318  | 2   | SFHCS - 3/8-16 UNC X 1.75  | SERRATED FLANGE HEX HEAD SCREW - 3/8-16 UNC X 1.75  |
| 319  | 8   | SFHCS - 3/8-16 UNC X 2.25  | SERRATED FLANGE HEX HEAD SCREW - 3/8-16 UNC X 2.25  |
| 320  | 2   | SFHCS - 5/16-18 UNC X 0.75 | SERRATED FLANGE HEX HEAD SCREW - 5/16-18 UNC X 0.75 |
| 321  | 15  | SFHCS - 5/16-18 UNC X 1.00 | SERRATED FLANGE HEX HEAD SCREW - 5/16-18 UNC X 1.00 |
| 322  | 8   | SFHCS - 5/16-18 UNC X 1.25 | SERRATED FLANGE HEX HEAD SCREW - 5/16-18 UNC X 1.25 |
| 323  | 1   | SHCS - 1/4-20 UNC X 0.625  | SOCKET HEAD CAP SCREW - 1/4-20 UNC X 0.625          |
| 324  | 7   | SHCS - 1/4-20 UNC X 0.75   | SOCKET HEAD CAP SCREW - 1/4-20 UNC X 0.75           |
| 325  | 4   | SS - 5/16-18 UNC X 2.00    | HEXAGON SOCKET SET SCREW - 5/16-18 UNC X 2.00 SS    |
| 326  | 10  | TAPSCR - 1_4-14 X 0.75     | HEX HEAD SELF TAPPING SCREW 1/4-14                  |

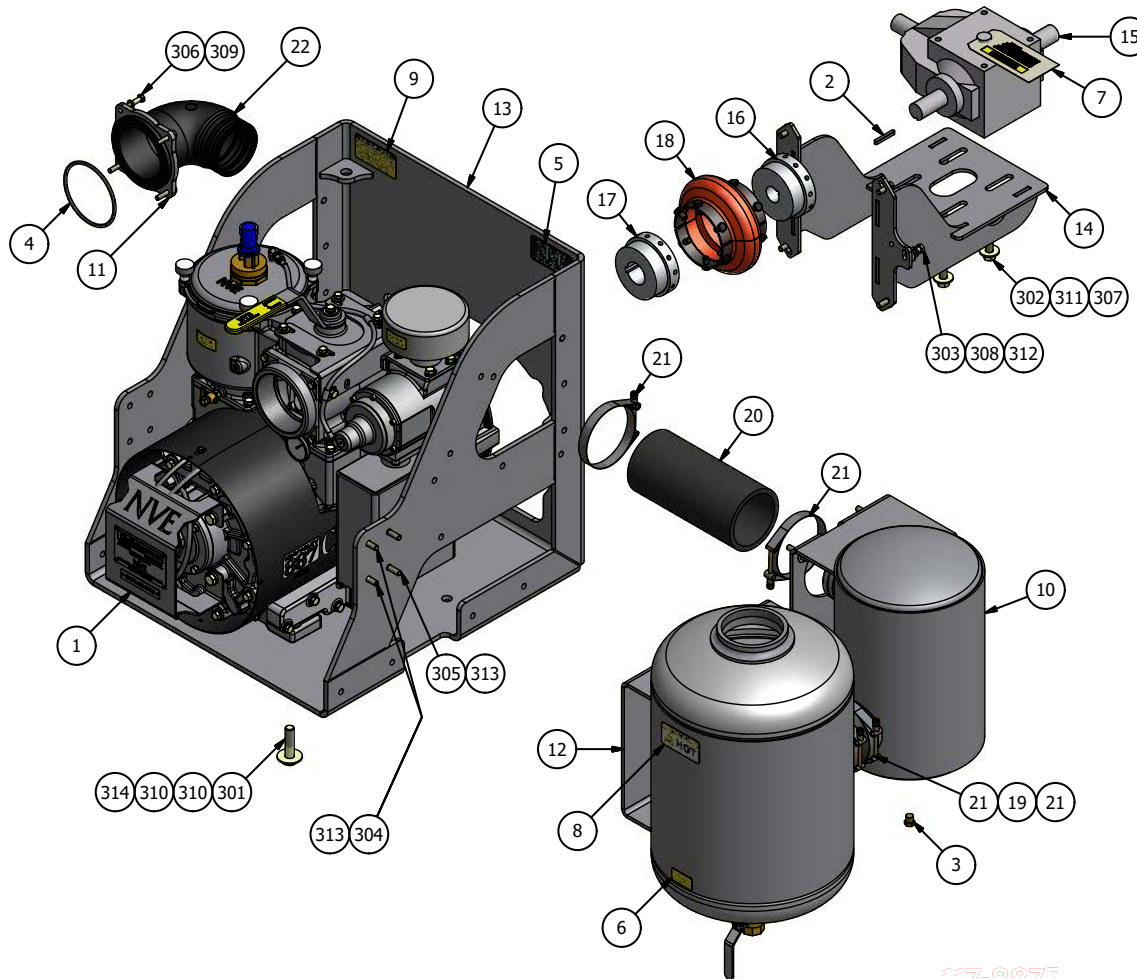


# 887 PRO Pump Stand Complete | Parts List



MADE IN THE USA

| ITEM | QTY | PART NUMBER              | DESCRIPTION                            |
|------|-----|--------------------------|--|
| 1    | 1   | 103-887P-FD              | CHALLENGER 887 PRO CW FAN              |
| 2    | 1   | 120-006-184              | KEY .25" X .25" X 1.875"               |
| 3    | 1   | 120-100-001              | DECAL, NVE, MUFFLER PAK                |
| 4    | 1   | 120-100-013              | TOE TAG DECAL GEARBOX VENT (INSTALL)   |
| 5    | 1   | 120-104-001              | DECAL, IMPORTANT, RESPONSIBILITY       |
| 6    | 1   | 280-350-021              | 887 STAND 2.0                          |
| 7    | 1   | 280-401-003              | 607P GEARBOX MOUNT WELDED              |
| 8    | 1   | 422-400-1                | GEARBOX, 400 SERIES 1:1 RATIO          |
| 9    | 1   | 424-200-125              | COUPLER HUB E20 1 1/4" BORE 1/4" KEY   |
| 10   | 1   | 424-200-175              | COUPLER HUB E20 1 3/4" BORE            |
| 11   | 1   | 424-200-E20              | COUPLER FLEX ELEMENT E20               |
| 301  | 4   | HHCS - 5/8-11 UNC X 2.50 | HEX HEAD CAP SCREW - 5/8-11 UNC X 2.50 |
| 302  | 4   | HHCS - 1/2-13 UNC X 1.50 | HEX HEAD CAP SCREW - 1/2-13 UNC X 1.50 |
| 303  | 6   | HHCS - 3/8-16 UNC X 1.00 | HEX HEAD CAP SCREW - 3/8-16 UNC X 1.00 |
| 304  | 4   | LW - 1/2                 | LOCK WASHER, 1/2                       |
| 305  | 6   | LW - 3/8                 | LOCK WASHER, 3/8                       |
| 306  | 8   | FW - 5/8                 | FLAT WASHER, 5/8                       |
| 307  | 4   | FW - 1/2                 | FLAT WASHER, 1/2                       |
| 308  | 6   | FW - 3/8                 | FLAT WASHER, 3/8                       |
| 309  | 4   | NYLOCK NUT - 5/8 UNC     | NYLOCK NUT - 5/8 UNC                   |

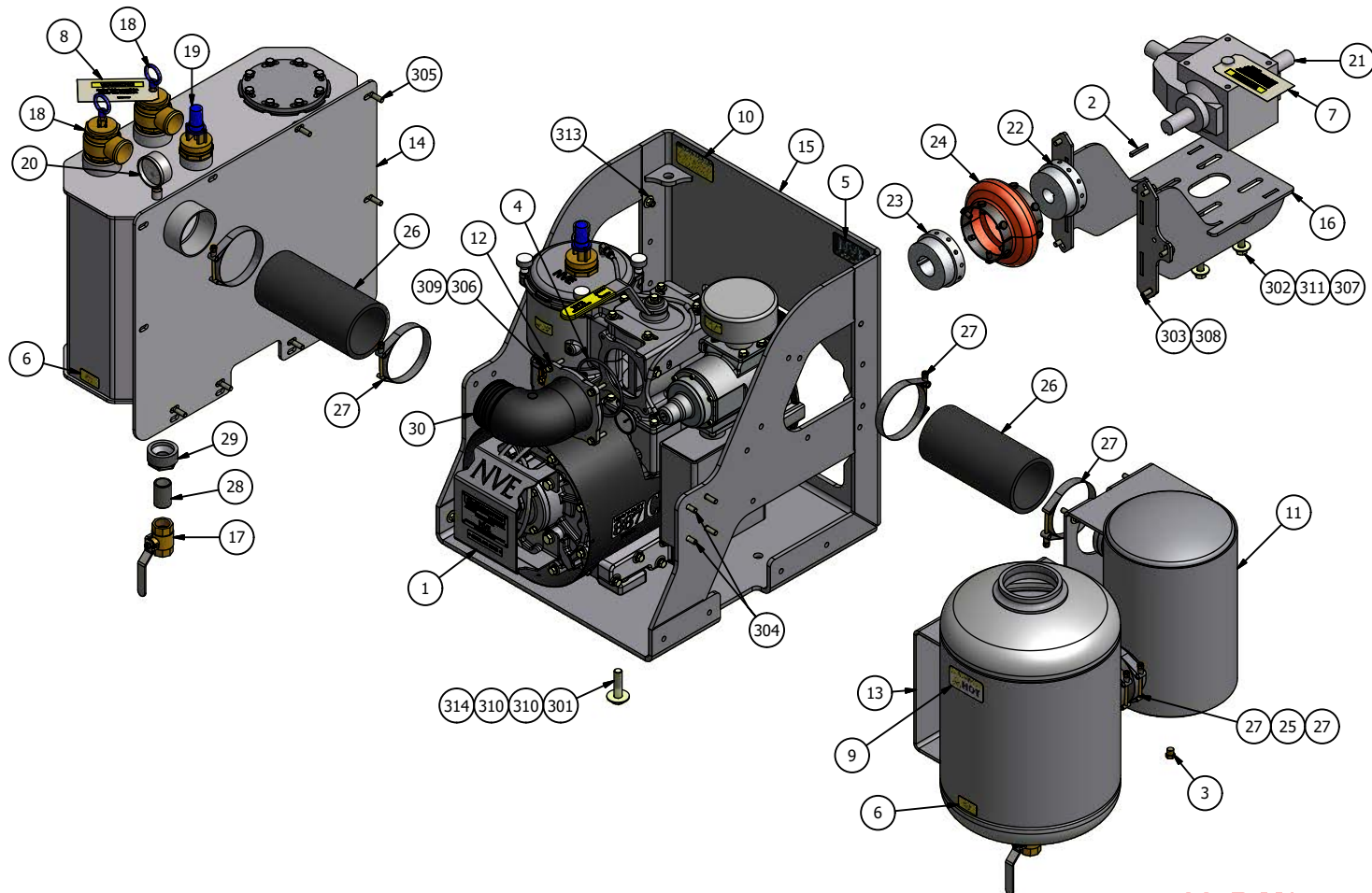


**117-887P-MUF-FD**

© 2017 Ingersoll Rand

# 887 Muffler Package | Parts List

| ITEM | QTY | PART NUMBER               | DESCRIPTION                               |
|------|-----|---------------------------|---|
| 1    | 1   | 103-887P-FD               | CHALLENGER 887 PRO CW FAN                 |
| 2    | 1   | 120-006-184               | KEY .25" X .25" X 1.875"                  |
| 3    | 1   | 120-059                   | PLUG BRASS HEX HEAD 1/4" NPT              |
| 4    | 1   | 120-064-012               | O-RING, 2-350 VITON                       |
| 5    | 1   | 120-100-001               | DECAL, NVE, MUFFLER PAK                   |
| 6    | 1   | 120-100-011               | DECAL DRAIN DAILY - YELLOW                |
| 7    | 1   | 120-100-013               | TOE TAG DECAL GEARBOX VENT (INSTALL)      |
| 8    | 1   | 120-100-015               | DECAL HOT                                 |
| 9    | 1   | 120-104-001               | DECAL, IMPORTANT, RESPONSIBILITY          |
| 10   | 1   | 124-360-002               | IN-LINE EXHAUST SILENCER RH               |
| 11   | 1   | 150-063-014               | FLANGE, 4" ADJ-ELBOW NARROW               |
| 12   | 1   | 212-140-4NPT-4            | OCM 14" DIA 4" NPT W/RESONATOR RH         |
| 13   | 1   | 280-350-021               | 887 STAND 2.0                             |
| 14   | 1   | 280-401-003               | 607P GEARBOX MOUNT WELDED                 |
| 15   | 1   | 422-400-1                 | GEARBOX, 400 SERIES 1:1 RATIO             |
| 16   | 1   | 424-200-125               | COUPLER HUB E20 1 1/4" BORE 1/4" KEY      |
| 17   | 1   | 424-200-175               | COUPLER HUB E20 1 3/4" BORE               |
| 18   | 1   | 424-200-E20               | COUPLER FLEX ELEMENT E20                  |
| 19   | 1   | 426-400-TAR-0250          | HOSE 4"D X 2.5"L                          |
| 20   | 1   | 426-400-TAR-10IN          | HOSE, 4", TAR & ASPHALT-10 IN LG          |
| 21   | 4   | 426-4625-TBC              | CLAMP, T-BOLT, 4.625"                     |
| 22   | 1   | 803-063-001               | E-COAT ELBOW 4" 90 DEG ALU (HB TO O-RING) |
| 301  | 4   | HHCS - 5/8-11 UNC X 2.50  | HEX HEAD CAP SCREW - 5/8-11 UNC X 2.50    |
| 302  | 4   | HHCS - 1/2-13 UNC X 1.50  | HEX HEAD CAP SCREW - 1/2-13 UNC X 1.50    |
| 303  | 6   | HHCS - 3/8-16 UNC X 1.00  | HEX HEAD CAP SCREW - 3/8-16 UNC X 1.00    |
| 304  | 2   | HHCS - 3/8-16 UNC X 1.25  | HEX HEAD CAP SCREW - 3/8-16 UNC X 1.25    |
| 305  | 10  | HHCS - 3/8-16 UNC X 1.50  | HEX HEAD CAP SCREW - 3/8-16 UNC X 1.50    |
| 306  | 4   | HHCS - 5/16-18 UNC X 1.50 | HEX HEAD CAP SCREW - 5/16-18 UNC X 1.50   |
| 307  | 4   | LW - 1/2                  | LOCK WASHER, 1/2                          |
| 308  | 6   | LW - 3/8                  | LOCK WASHER, 3/8                          |
| 309  | 4   | LW - 5/16                 | LOCK WASHER, 5/16                         |
| 310  | 8   | FW - 5/8                  | FLAT WASHER, 5/8                          |
| 311  | 4   | FW - 1/2                  | FLAT WASHER, 1/2                          |
| 312  | 30  | FW - 3/8                  | FLAT WASHER, 3/8                          |
| 313  | 12  | NYLOCK NUT - 3/8 UNC      | NYLOCK NUT - 3/8 UNC                      |
| 314  | 4   | NYLOCK NUT - 5/8 UNC      | NYLOCK NUT - 5/8 UNC                      |



117-887P-MAX-FD

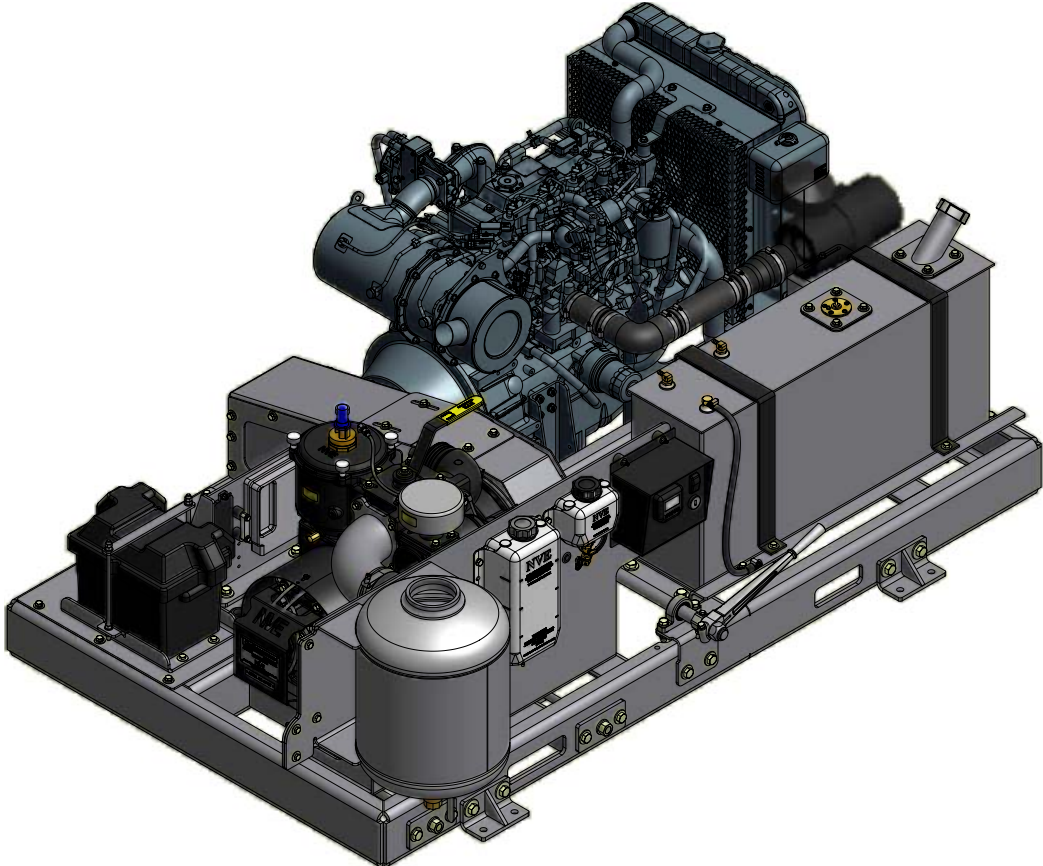
# 887 PRO Max Package | Parts List



MADE IN THE USA

| ITEM | QTY | PART NUMBER               | DESCRIPTION                               |
|------|-----|---------------------------|---|
| 1    | 1   | 103-887P-FD               | CHALLENGER 887 PRO CW FAN                 |
| 2    | 1   | 120-006-184               | KEY .25" X .25" X 1.875"                  |
| 3    | 1   | 120-059                   | PLUG BRASS HEX HEAD 1/4" NPT              |
| 4    | 2   | 120-064-012               | O-RING, 2-350 VITON                       |
| 5    | 1   | 120-100-001               | DECAL, NVE, MUFFLER PAK                   |
| 6    | 2   | 120-100-011               | DECAL DRAIN DAILY - YELLOW                |
| 7    | 1   | 120-100-013               | TOE TAG DECAL GEARBOX VENT (INSTALL)      |
| 8    | 1   | 120-100-014               | TOE TAG DECAL REIEF MUST BE SET           |
| 9    | 1   | 120-100-015               | DECAL HOT                                 |
| 10   | 1   | 120-104-001               | DECAL, IMPORTANT, RESPONSIBILITY          |
| 11   | 1   | 124-360-002               | IN-LINE EXHAUST SILENCER RH               |
| 12   | 2   | 150-063-014               | FLANGE, 4" ADJ-ELBOW NARROW               |
| 13   | 1   | 212-140-4NPT-4            | OCM 14" DIA 4" NPT W/RESONATOR RH         |
| 14   | 1   | 218-001-4L                | M.T. BOLT ON, 4" ALUM LH                  |
| 15   | 1   | 280-350-021               | 887 STAND 2.0                             |
| 16   | 1   | 280-401-003               | 607P GEARBOX MOUNT WELDED                 |
| 17   | 1   | 288-100                   | DRAIN VALVE BRASS 1" IPS                  |
| 18   | 2   | 364-306-2                 | PRESSURE RELIEF, 2"                       |
| 19   | 1   | 366-150                   | VACUUM RELIEF, 1 1/2" NPT                 |
| 20   | 1   | 408-250-LF                | GAUGE, 2.5" VAC/PRESS, LIQ BOTTOM CONN    |
| 21   | 1   | 422-400-1                 | GEARBOX, 400 SERIES 1:1 RATIO             |
| 22   | 1   | 424-200-125               | COUPLER HUB E20 1 1/4" BORE 1/4" KEY      |
| 23   | 1   | 424-200-175               | COUPLER HUB E20 1 3/4" BORE               |
| 24   | 1   | 424-200-E20               | COUPLER FLEX ELEMENT E20                  |
| 25   | 1   | 426-400-TAR-0250          | HOSE 4"D X 2.5"L                          |
| 26   | 2   | 426-400-TAR-10IN          | HOSE, 4", TAR & ASPHALT-10 IN LG          |
| 27   | 6   | 426-4625-TBC              | CLAMP, T-BOLT, 4.625"                     |
| 28   | 1   | 428-100-2G                | NIPPLE CLOSE MNPT 1" GALV                 |
| 29   | 1   | 428-2X1-CG                | BUSHING 2" MPT X 1" FPT GALVANIZED        |
| 30   | 2   | 803-063-001               | E-COAT ELBOW 4" 90 DEG ALU (HB TO O-RING) |
| 301  | 4   | HHCS - 5/8-11 UNC X 2.50  | HEX HEAD CAP SCREW - 5/8-11 UNC X 2.50    |
| 302  | 4   | HHCS - 1/2-13 UNC X 1.50  | HEX HEAD CAP SCREW - 1/2-13 UNC X 1.50    |
| 303  | 6   | HHCS - 3/8-16 UNC X 1.00  | HEX HEAD CAP SCREW - 3/8-16 UNC X 1.00    |
| 304  | 2   | HHCS - 3/8-16 UNC X 1.25  | HEX HEAD CAP SCREW - 3/8-16 UNC X 1.25    |
| 305  | 17  | HHCS - 3/8-16 UNC X 1.50  | HEX HEAD CAP SCREW - 3/8-16 UNC X 1.50    |
| 306  | 8   | HHCS - 5/16-18 UNC X 1.50 | HEX HEAD CAP SCREW - 5/16-18 UNC X 1.50   |

| ITEM | QTY | PART NUMBER          | DESCRIPTION          |
|------|-----|----------------------|----------------------|
| 307  | 4   | LW - 1/2             | LOCK WASHER, 1/2     |
| 308  | 6   | LW - 3/8             | LOCK WASHER, 3/8     |
| 309  | 8   | LW - 5/16            | LOCK WASHER, 5/16    |
| 310  | 8   | FW - 5/8             | FLAT WASHER, 5/8     |
| 311  | 4   | FW - 1/2             | FLAT WASHER, 1/2     |
| 312  | 44  | FW - 3/8             | FLAT WASHER, 3/8     |
| 313  | 19  | NYLOCK NUT - 3/8 UNC | NYLOCK NUT - 3/8 UNC |
| 314  | 4   | NYLOCK NUT - 5/8 UNC | NYLOCK NUT - 5/8 UNC |



# 887 PRO Engine Drive | Parts List



MADE IN THE USA

| ITEM | QTY | PART NUMBER      | DESCRIPTION                                  |
|------|-----|------------------|--|
|      | 1   | 103-887P-FD1     | CHALLENGER 887 PRO CW FAN OIL FIELD          |
|      | 1   | 120-103          | VALVE, DRAIN 1/4" NPT                        |
|      | 1   | 150-063-014      | FLANGE, 4" ADJ-ELBOW NARROW                  |
|      | 1   | 212-140-4NPT-3   | OCM 14" DIA 4" NPT W/HB LH                   |
|      | 2   | 280-460-023-2    | FUEL TANK STRAP, 23 GAL, BENT                |
|      | 1   | 280-460-026      | FUEL TANK 23 GAL FAB - BOLT ON FILL NECK     |
|      | 1   | 310-LP4          | HOSE BARB 1/4" NPT X 1/4" 90 DEG ELBOW BRASS |
|      | 1   | 320-082-001      | OIL TANK, 5QT, W/LOGO                        |
|      | 1   | 320-082-003Z     | FLUSHING FLUID TANK ASSY, HDPE, 1 QT         |
|      | 1   | 320-083-009      | OIL TANK FILTER, 100 MESH                    |
|      | 1   | 320-083-010      | FILTER FITTING, OIL TANK 1/4 NPT             |
|      | 4   | 320-409-015      | CUSHIONED STANDOFF MOUNT 1/4"-20 UNC         |
|      | 4   | 320-409-016      | CUSHIONED SANDWICH MOUNT 1/4"-20 UNC FEMALE  |
|      | 3   | 416-025-1WC      | CLAMP, WORM, .250" dia                       |
|      | 1   | 426-400-TAR-0500 | HOSE 4"D X 5"L                               |
|      | 2   | 426-4625-TBC     | CLAMP, T-BOLT, 4.625"                        |
|      | 1   | 430-100-040      | PULLEY 5V12.5X4-E                            |
|      | 1   | 430-100-041      | PULLEY 5V6.3X4-SK                            |
|      | 1   | 430-200-035      | BELT 5VX690 4 GROOVE BANDED                  |
|      | 1   | 430-300-038      | BUSHING E X 1-3/4"                           |
|      | 1   | 430-300-040      | BUSHING SK X 2-1/4" X 5/8" KEYWAY            |
|      | 2   | 430-400-012      | BEARING SLEEVE 1.25" PILLOW BLOCK            |
|      | 1   | 450-100-006      | BATTERY BOX SMALL GROUP 24                   |
|      | 1   | 450-100-007      | BATTERY 850 CCA MAINT FREE                   |
|      | 1   | 460-200-017      | ENGINE YANMAR 4 CYL 69.3 HP                  |
|      | 1   | 803-063-001      | E-COAT ELBOW 4" 90 DEG ALU (HB TO O-RING)    |
|      | 2   | 860-010          | THREADED ROD 3/8"-16 UNC X 11.00" SS         |







# DESIGNED. BUILT. SUPPORTED.

Produced in the USA | Distributed World-Wide

800-253-5500 | [natvac.com](http://natvac.com)

2707 Aero Park Dr. | Traverse City, MI 49685

# NVE

National Vacuum Equipment

■ Part of Atlas Copco Group

# Challenger Series

VACUUM PUMPS & BLOWERS