

NVE

National Vacuum Equipment

■ Part of Atlas Copco Group



304 HEAVY DUTY VACUUM PUMPS PRODUCT CATALOG

800-253-5500
www.natvac.com

Challenger Series
VACUUM PUMPS & BLOWERS

304 Vacuum Pump **3**

304 Pump Stand Complete Packages **4**

304 Horizontal Packages **5**

304 Combination Moisture Trap/Muffler Packages **6**

304 Engine Drive Packages **7**

Components & Accessories **8**



National Vacuum Equipment
 ■ Part of Atlas Copco Group

800-253-5500
 sales@natvac.com
 2707 Aero Park Dr. | Traverse City, MI 49686

NVE Product Information



Condition of Sales





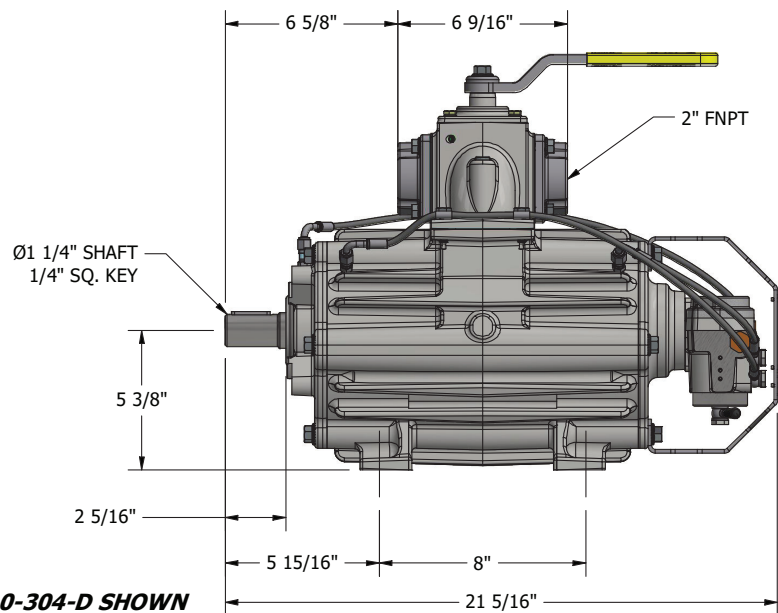
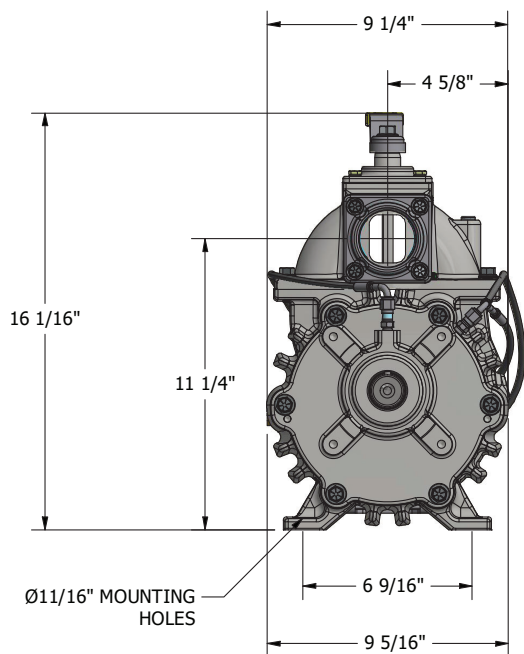
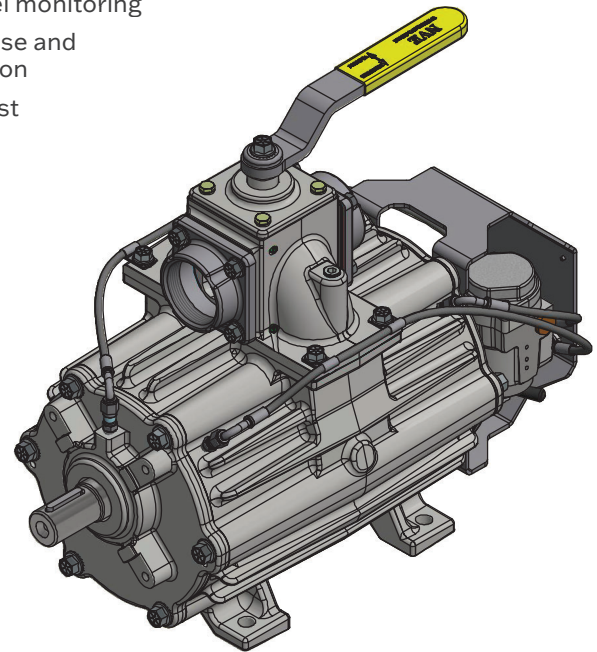
MADE IN THE USA

304 Heavy Duty Vacuum Pumps

Features

- Exclusive NVE automatic oil pump
- Rugged braided stainless steel oil delivery lines
- Ductile iron housing
- On truck serviceability
- Remote mount 5 quart see through oil tank for constant oil level monitoring
- Available in both clockwise and counter-clockwise rotation
- Two year warranty against manufacturer defect

AIR COOLED 304 CHALLENGER SPECIFICATIONS			
Air Flow - Free Air	210 CFM		
*Full Intermittent Vacuum	27" HG		
Maximum Intermittent Pressure	20 PSI		
*Operating Range - RPM	1200	1300	1400
HP Required @ Full Vacuum	8.35	9.24	10.16
HP Required @ 10 PSI	10.08	11.14	12.24
Porting Size (Optional 1-1/2")	2"		
Shaft Size (1/4" Key)	1 1/4"		



**110-304-D SHOWN
(CW PUMP)**

PRODUCT DESCRIPTION	PART NUMBER	WEIGHT
Challenger 304 CW (Pictured Above)	110-304-D	179 lbs
Challenger 304 CCW	110-304-S	179 lbs
Challenger 304 CCW W/HYD Adapter	117-304-HYD-S	182 lbs

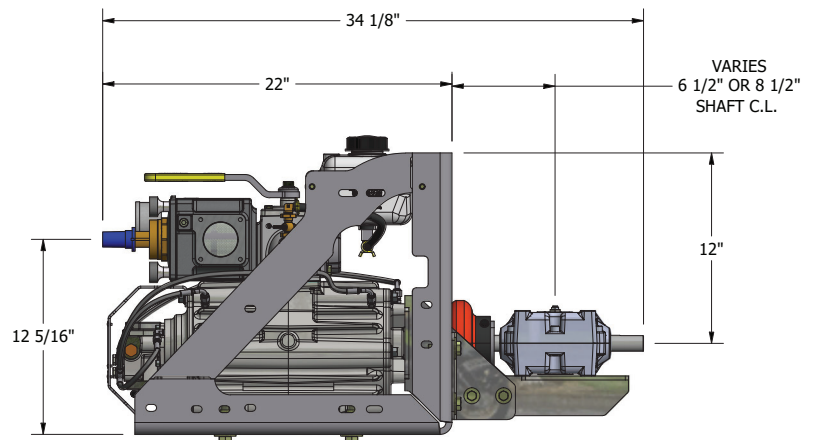
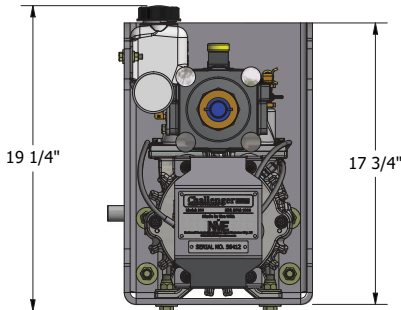
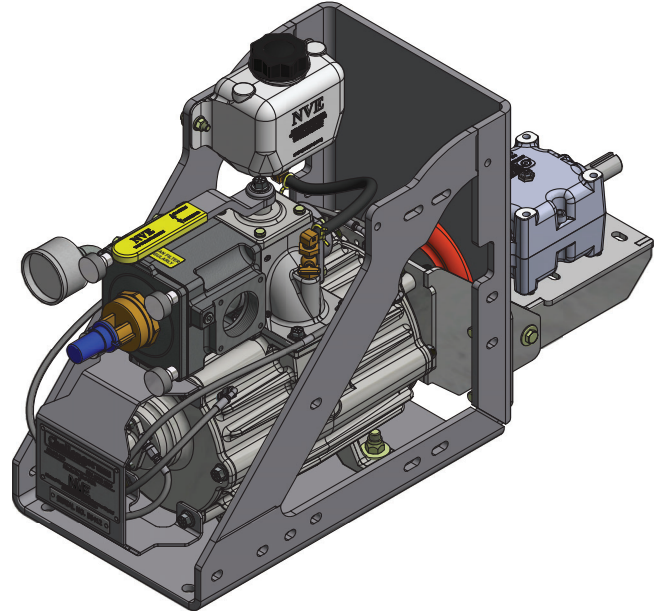
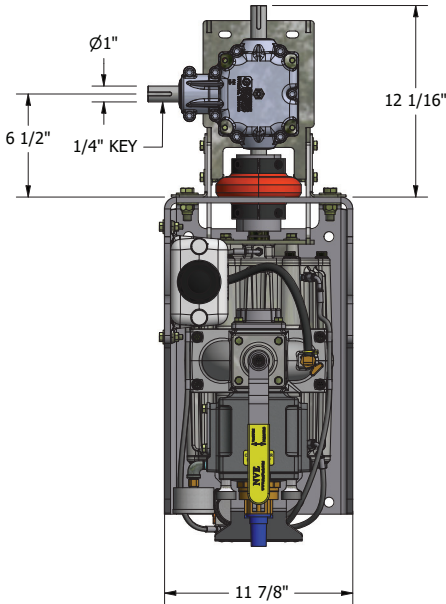
*The maximum allowable operating vacuum will vary depending on R.P.M., ambient temperature, altitude and timer running. The basic principle to keep in mind is - faster R.P.M., higher air temperature and longer run time all equal more heat in pump. When installing an NVE 304 pump we recommend a normal R.P.M. of 1200-1400. Other speeds are ok as long as exhaust gas temperatures read on the supplied thermometer do not exceed 380 degrees F.

304 Pump Stand Complete Packages

Challenger Series

Features

- 304 counter clockwise vacuum pump
- Pre-filter
- Heavy duty 3/8" steel gusseted frame
- Durable powder coat finish
- Lightweight aluminum gearbox for cool operation
- Flushing flush kit included
- Reliable Rexnord E5 Coupler
- Remote mount 5 quart see through oil tank for constant oil level monitoring
- Two year warranty against manufacturer defect



PRODUCT DESCRIPTION	PART NUMBER	WEIGHT
Challenger 304 Pump Stand Complete (Pictured Above)	117-304-001-S	297 lbs



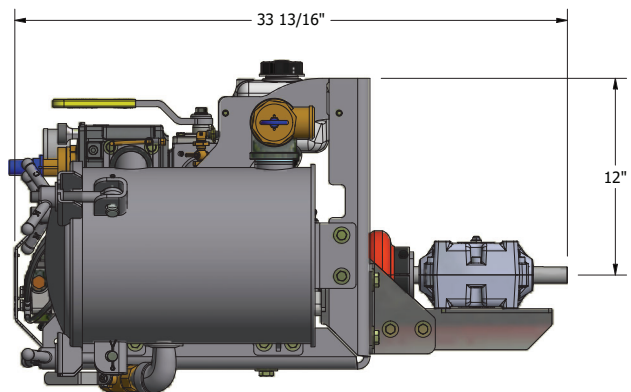
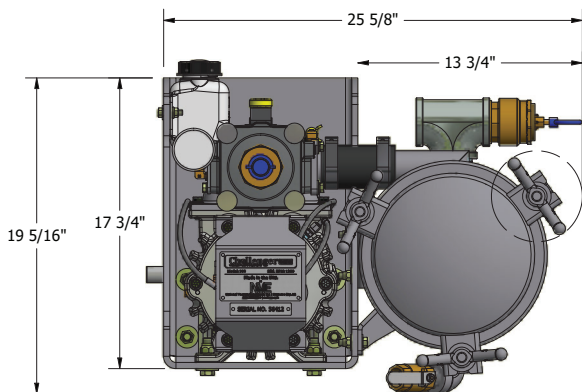
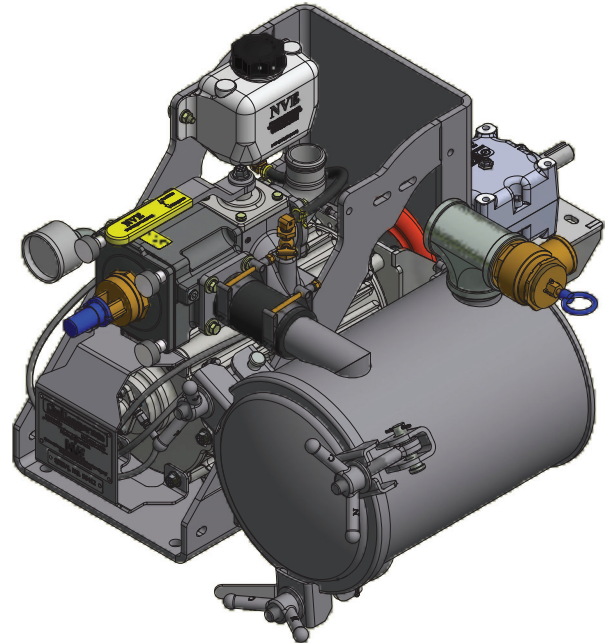
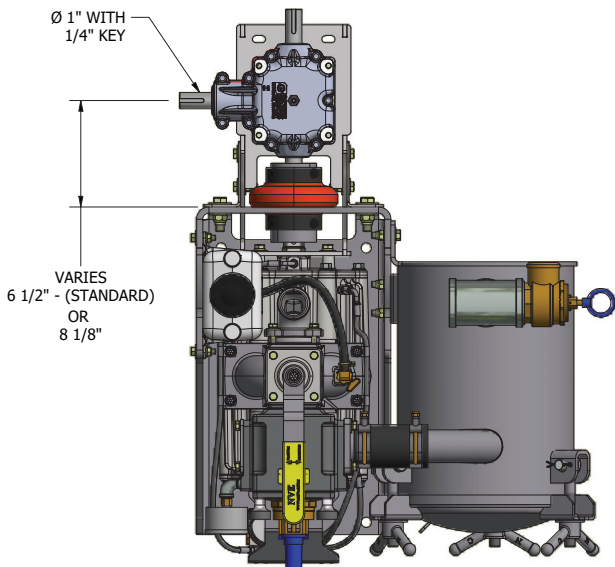
MADE IN THE USA

304 Horizontal Packages

Features

All features included in the pump stand complete plus:

- 304 counter clockwise vacuum pump and stand
- Gearbox or hydraulic adaptor options available
- Pre-filter
- Horizontal moisture trap
- Flushing flush kit included
- Vacuum relief valve and vacuum pressure gauge
- Two year warranty against manufacturer defect



PRODUCT DESCRIPTION	PART NUMBER	WEIGHT
Challenger 304 Right Hand Horizontal Package (Pictured Above)	117-304-002-D	392 lbs

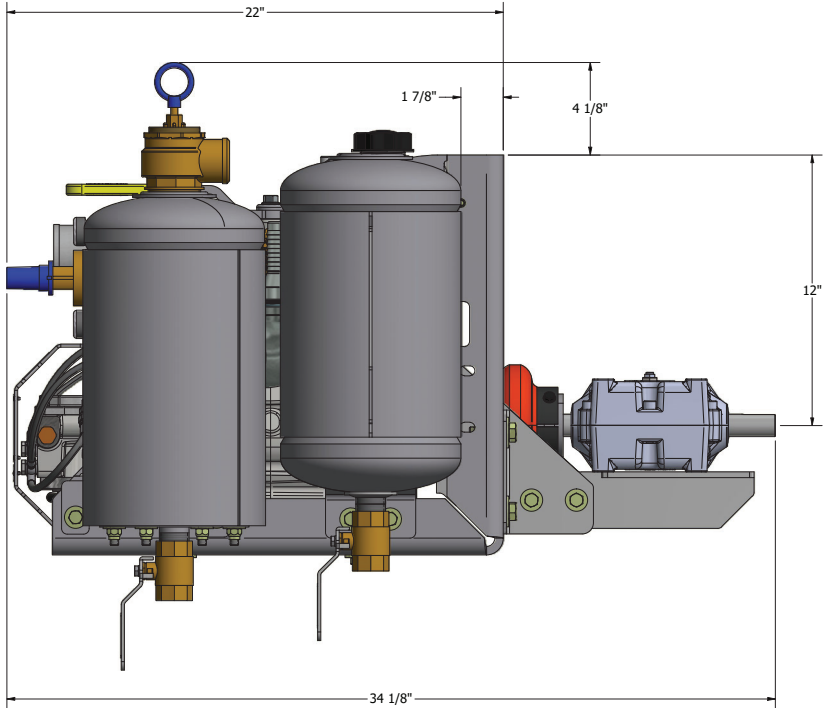
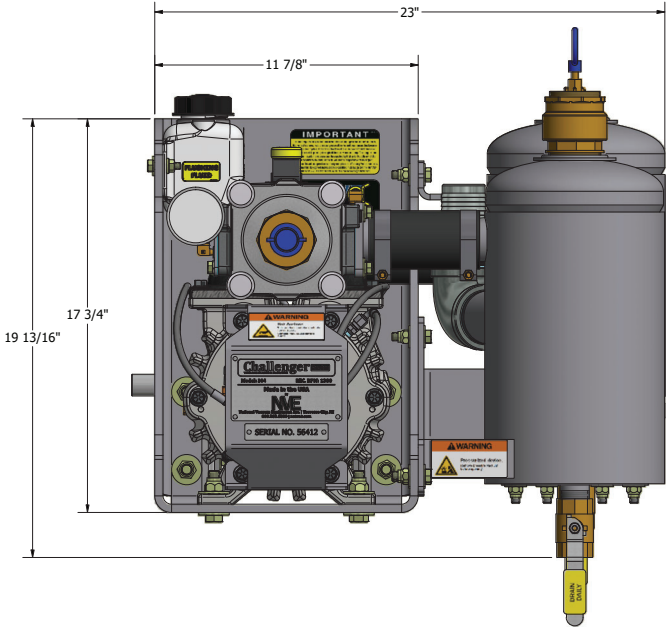
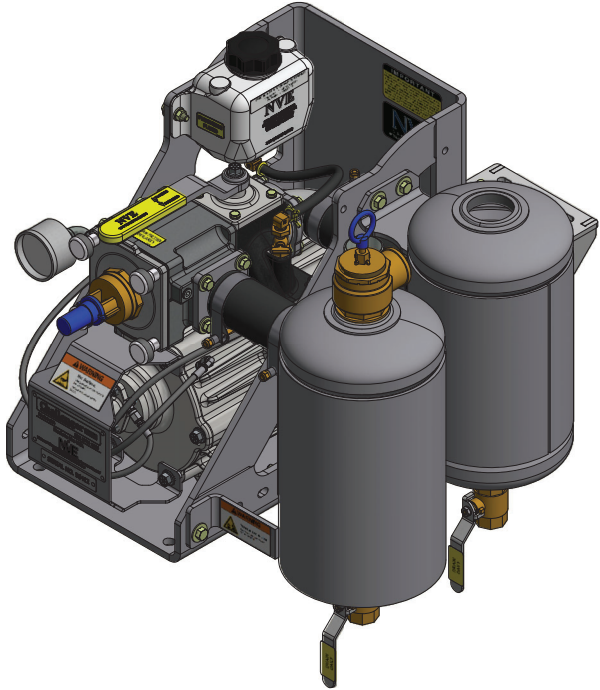
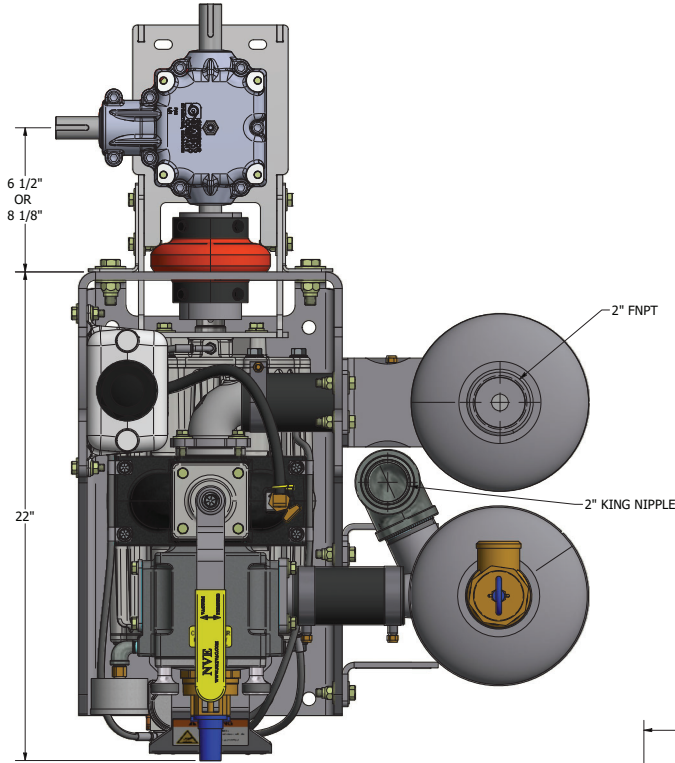
304 Combination Moisture Trap/Muffler Packages

Challenger Series

Features

All features included in the pump stand complete plus:

- 304 counter clockwise vacuum pump and stand
- Combination moisture trap and muffler
- Vacuum and pressure relief valves with gauge
- Flushing flush Kit included
- Right or left mounting options
- Two year warranty against manufacturer defect



PRODUCT DESCRIPTION	PART NUMBER	WEIGHT
Challenger 304 Right Hand Combination Moisture Trap/Muffler (Pictured Above)	117-304-007-D	404 lbs

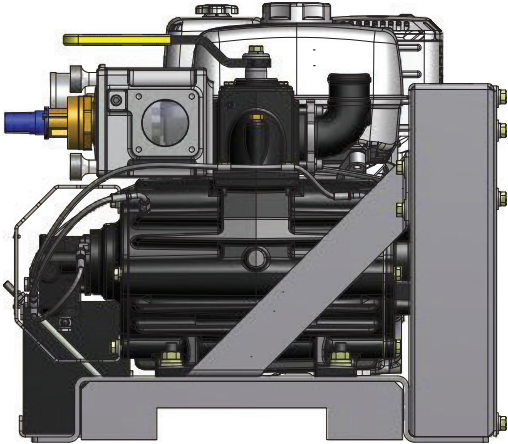
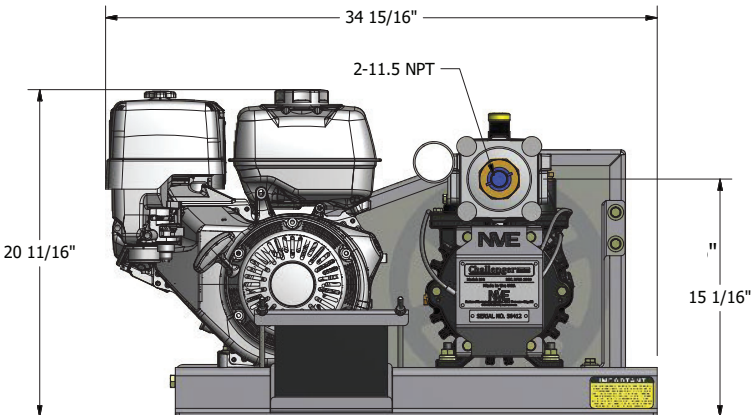
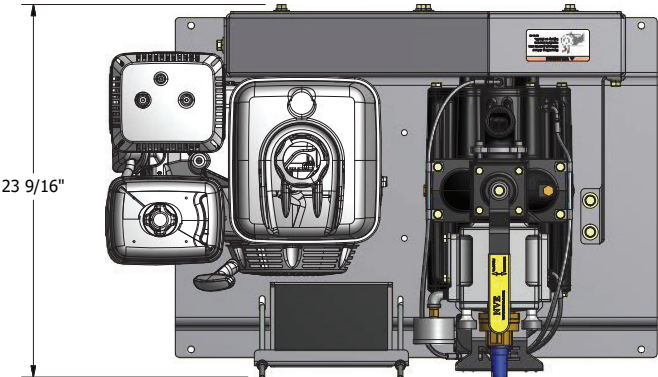
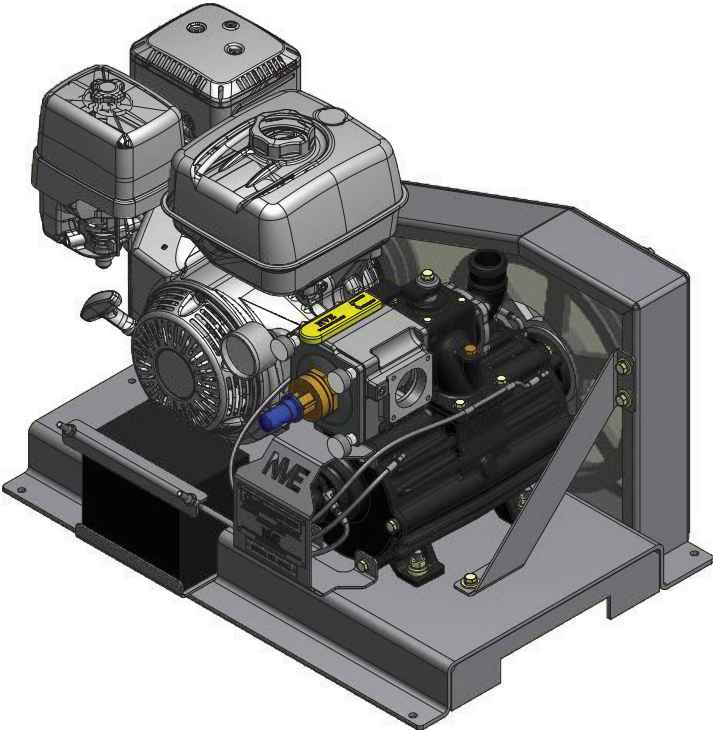


MADE IN THE USA

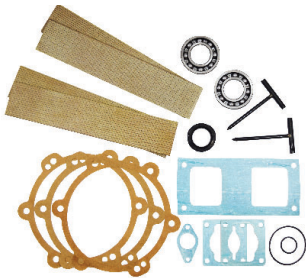
304 Engine Drive Package

Features

- 304 counter clockwise vacuum pump and stand
- Honda 13 HP Electric Start Motor
- Battery included
- Two year warranty against manufacturer defect



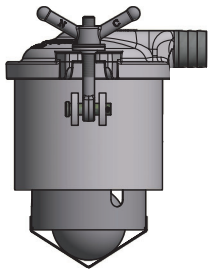
PRODUCT DESCRIPTION	PART NUMBER	WEIGHT
Challenger 304 Honda Engine Drive Package	117-EDR-304-1	400 lbs



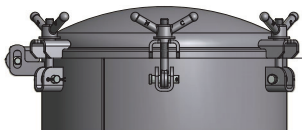
PRODUCT DESCRIPTION	PART NUMBER	WEIGHT
Repair Kit 304	115-304-0	3 lbs
Repair Kit 304 (W/O Bearings)	115-304-0B	2 lbs



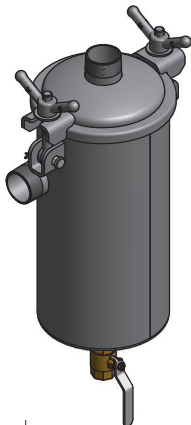
PRODUCT DESCRIPTION	PART NUMBER	WEIGHT
Oil Catch Muffler	212-800-2FP-A	12.55 lbs
<ul style="list-style-type: none"> - 8" Aluminum tread plate exterior with 2" NPT. - Compact Design - Rated to 250 CFM - 2" Port - 1" Drain Valve 		



PRODUCT DESCRIPTION	PART NUMBER	WEIGHT
Primary Shutoff 8" X 6" Carbon Base Cast 2" Hb	200-0806-2HB	25 lbs
Primary Shutoff 8" X 6" Alu Base Cast Alu Lid 2" HB	204-0806-2HB	17.25 lbs
Primary Shutoff 8" X 6" SS Base Cast Alu Lid 2" HB	208-0806-2HB	25.35 lbs



PRODUCT DESCRIPTION	PART NUMBER	WEIGHT
Portal Carbon 12" X 6" GOL	200-1206-C	37 lbs
Portal 12" X 6", Alu Base SS Lid GOL	204-1206-A	21 lbs
Manway Carbon 17" X 6" GOL	202-1706-C	48 lbs
Manway Carbon 20" X 6" GOL	202-2006	72 lbs
Manway Alu 20" X 6" W/ Cast Al Lid GOL	206-2006-A	42 lbs

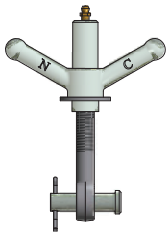


PRODUCT DESCRIPTION	PART NUMBER	WEIGHT
Secondary Shutoffs Mt 4 Gal Alu 2" HB	216-400-2NPT-A	23 lbs
Secondary Shutoffs Mt 4 Gal 2" NPT	216-400-2NPT-C1	30 lbs
Secondary Shutoffs Mt 4 Gal SS Alu Lid 2" HB	216-400-2NPT-S	30 lbs

304 Components & Accessories



MADE IN THE USA



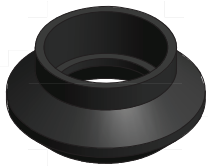
PRODUCT DESCRIPTION	PART NUMBER	WEIGHT
Wingnut, Eyebolt Clevis & Cotter Pin (Qty 6)	284-KIT-C	1.45 lbs
Lubenut, Eyebolt, Clevis & Cotter Pin (Qty 6)	284-KIT-CLN	1.55 lbs



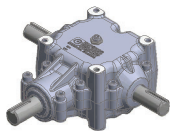
PRODUCT DESCRIPTION	PART NUMBER	WEIGHT
Float Balls 4" SS	414-400-SS	0.5 lbs



PRODUCT DESCRIPTION	PART NUMBER	WEIGHT
Gasket 12" Lid And Neck Buna	286-706-12L	0.65 lbs
Gasket 17" Lid Buna	286-706-17L	1 lbs
Gasket 19.5" Lid Buna	286-706-20L	1 lbs



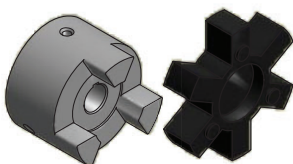
PRODUCT DESCRIPTION	PART NUMBER	WEIGHT
Ball Seat 3" Buna	416-200-B	0.55 lbs
Clamp Worm 3" Ball Seats	416-200-1WC	0.08 lbs



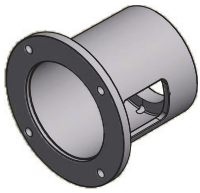
PRODUCT DESCRIPTION	PART NUMBER	WEIGHT
Gear Boxes - 200 Series 1:1	422-200-1	14.3 lbs



PRODUCT DESCRIPTION	PART NUMBER	WEIGHT
Coupler Hub E5 1" Bore 1/4" Key	424-050-100	3 lbs
Coupler Hub E5 1 1/4" Bore 1/4" Key	424-050-125	3 lbs
Coupler Flex Element E5	424-050-E5	2 lbs



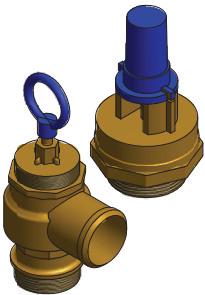
PRODUCT DESCRIPTION	PART NUMBER	WEIGHT
Spider Lovejoy 100 NBR	424-100-S	0.25 lbs
Coupler Flange Lovejoy 100 - 1.25" X 1/4" Key	424-100-125	3 lbs
Coupler Flange Lovejoy 100 - 0.625" X 5/32" Key	424-100-0625	3 lbs



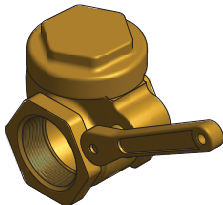
PRODUCT DESCRIPTION	PART NUMBER	WEIGHT
Hydraulic Adapter	120-400-004	3 lbs



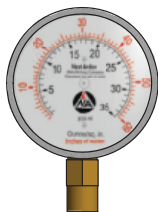
PRODUCT DESCRIPTION	PART NUMBER	WEIGHT
Flange 2" Adjustable Elbow	280-355-116	0.25 lbs
O-Ring for Elbow	120-064-031	0.01 lbs
Elbow 2" 90 Degree Alum Hose Barb X Hose Barb	803-063-014	0.5 lbs
Elbow 2" 90 Degree Aluminum Hose Barb X Oring	803-063-013	0.5 lbs



PRODUCT DESCRIPTION	PART NUMBER	WEIGHT
Vacuum Relief 1 1/2" NPT	366-150	1.1 lbs
Pressure Relief 1.50"	364-306-015	1.85 lbs
Pressure Relief 1.25"	364-306-1.25	1.45 lbs
Pressure Relief 2"	364-306-2	2.7 lbs



PRODUCT DESCRIPTION	PART NUMBER	WEIGHT
Lever Valve 2"	362-301-2	3.9 lbs
Lever Valve 3"	362-301-3	8.7 lbs
Lever Valve 3" TTMA/NPT	362-301-3T	10 lbs
Lever Valve 4"	362-301-4	12 lbs



PRODUCT DESCRIPTION	PART NUMBER	WEIGHT
Gauge 2.5" Vac/Pres Liq Bot Conn 1/4" NPT	408-250-LF	0.45 lbs

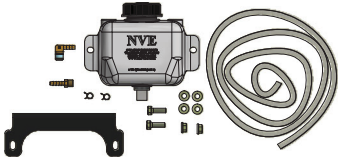


PRODUCT DESCRIPTION	PART NUMBER	WEIGHT
Remote Oil Tank	320-082-001	1.6 lbs
Oil Tank Kit	320-081	2.30 lbs
Oil Tank Cap Black W/Tether	320-083-002	0.10 lbs

304 Components & Accessories



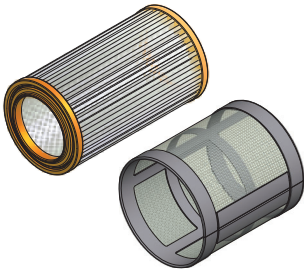
MADE IN THE USA



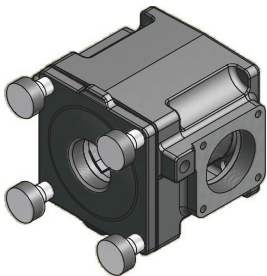
PRODUCT DESCRIPTION	PART NUMBER	WEIGHT
Flushing Fluid Kit	320-081-002	1.9 lbs



PRODUCT DESCRIPTION	PART NUMBER	WEIGHT
Oil Vacuum Pump R&O ISO 150/SAE 40 ND. Price Per Gallon. 6 Gallons Per Case.	150-220-VPOIL-150	7.35 lbs



PRODUCT DESCRIPTION	PART NUMBER	WEIGHT
Intake Filter 304 - 3.75" ID x 4.43"	120-314-004	.35 lbs
Intake Filter 304 - 4.44" OD x 3.0" ID x 8.125"	120-314	.90 lbs
<i>*Please Verify Size Before Buying</i>		



PRODUCT DESCRIPTION	PART NUMBER	WEIGHT
Filter Box Assembly 304	120-318-001	5 lbs

NVE

National Vacuum Equipment

■ Part of Atlas Copco Group

Revised 02/2026



**DESIGNED.
BUILT.
SUPPORTED.**

Produced in the USA | Distributed World-Wide

Challenger Series
VACUUM PUMPS & BLOWERS

800-253-5500

sales@natvac.com

2707 Aero Park Dr. | Traverse City, MI 49686

