

607 PRO HEAVY DUTY VACUUM PUMPS

PARTS CATALOG

Challenger Series

VACUUM PUMPS & BLOWERS



Designed. Built. Supported in The USA.

800-253- 5500 | www.natvac.com

Features

- The NVE Challenger repair kits come with or without bearings and include the seals, gaskets, and vanes required for repair.
- The NVE Challenger flush kits come with all the required items to properly flush your Challenger vacuum pumps.
- The NVE Challenger Pump Oil is ISO 150 though this oil is not required, it is recommended to keep your vacuum pump lubricated properly, particularly in extreme conditions. Sold in 3.5 Gallon Jugs.



PRODUCT DESCRIPTION	PART NUMBER	WEIGHT
Tool Kit for 367/607	120-OT	4 lbs
Repair Kit 607 PRO	115-607-0	7 lbs
Repair Kit 607 PRO (without bearings)	115-607-0B	4 lbs
Flush fluid Kit	320-081-002	2 lbs
Oil Tank 5 QT & Tethered Cap	320-082-001	1.60 lbs
Remote Oil Tank Kit	320-081	2.30 lbs
Oil Tank Cap Black W/Tether	321-083-002	0.10 lbs
Oil Vacuum Pump R&O ISO 150/SAE 40 ND Price per Gallon 3.5 Gallons per Jug	150-220-VPOIL-150	28 lbs

607 PRO Challenger Series Fan Cooled | Parts List

Challenger Series

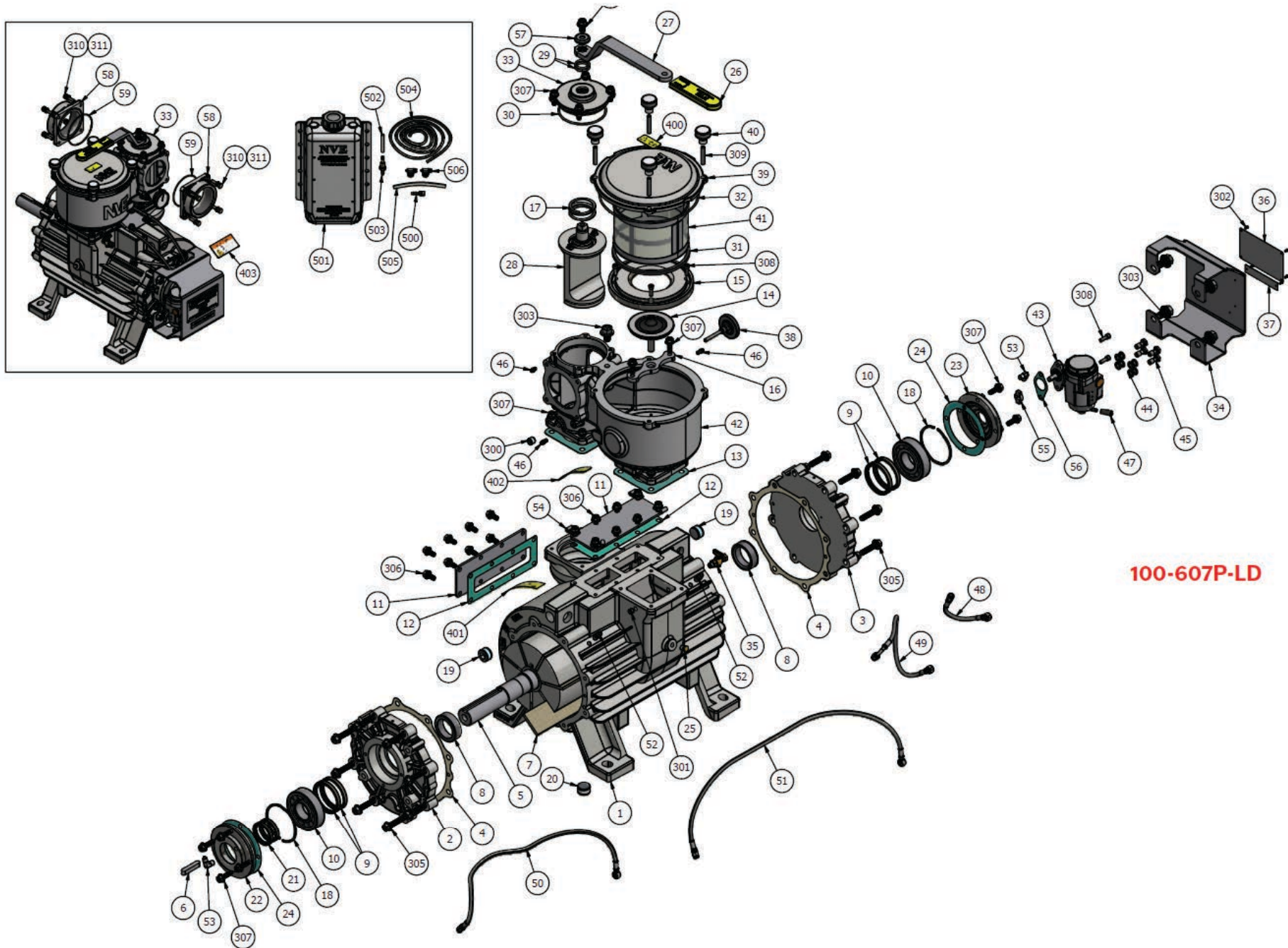
ITEM	QTY	PART NUMBER	DESCRIPTION
1	1	120-001-367	HOUSING 607
2	1	120-003-002	ENDPLATE 607 CW
3	1	120-003-003	ENDPLATE 607 CCW
4	2	120-004-367	GASKET ENDPLATE 607
5	1	120-005-367	ROTOR 607
6	1	120-006	KEY 3/8" X 3/8" X 2"
7	7	120-007-367	VANE 607
8	2	120-009-367	SEAL SLEEVE 607
9	4	120-018-367	SEAL 60 X 72 X 8 VITON SGL LIP
10	2	120-019-367	BEARING NJ308 C3
11	2	120-039-367	GASKET 607 INTAKE/EXHAUST
12	1	120-041-005	C.V. POPPIT - 607 & B500
13	1	120-041-006	C.V. SEAT - 607 & B500
14	1	120-041-007Z	C.V. RETAINER - 607 & B500
15	1	120-045	SPRING 4-WAY FTR VALVE
16	2	120-045-001	SPRING WAVE WIRE 3.50" DIA
17	2	120-053	SEAL 40 X 52 X 7 VITON
18	1	120-054-001	BEARING COVER 607
19	1	120-054-002	BEARING COVER 607 OIL PUMP
20	2	120-055-367	GASKET, FRONT BEARING COVER
21	1	120-058	PLUG BRASS HEX HEAD 1/8" NPT
22	1	120-060-005	GRIP 3/8" HANDLE W/ LOGO
23	1	120-060-007	HANDLE 304, 607, B250 & B500
24	1	120-062-002	PLUG 4-WAY FOR 3/8" HANDLE
25	2	120-064-002	O-RING, 2-214 VITON
26	1	120-064-003	O-RING, 2-240 VITON
27	1	120-064-030	O-RING SQUARE VITON 436
28	1	120-064-035	O-RING 2-266 VITON
29	1	120-065-002	TOWER 3" 607
30	1	120-070-004	SHROUD LOWER 607
31	1	120-071-004	SHROUD UPPER 607
32	1	120-072-004	SHROUD SERVICE PANEL 607
33	1	120-074-001	FAN SHROUD 607
34	1	120-076	KEY 3/8" X 3/8" X 1"
35	1	120-077-004	SHROUD SUPPORT PLATE 607
36	1	120-079-008	GUARD NVE OIL PUMP 607/887 W/ TAG MOUNT
37	1	120-083-002	FAN ASSY 607 CW
38	1	120-102	VALVE, DRAIN 1/8" NPT
39	1	120-105-607	NAME PLATE SS 607
40	1	120-107-001	SERIAL TAG SS

ITEM	QTY	PART NUMBER	DESCRIPTION
41	1	120-220	THERMOMETER, 50- 400 DEG, 2" FACE
42	1	120-310-003	COVER FLTR MACHINED 607 & B500
43	4	120-312-002	KNOB 607/866 FLTR COVER 5/16-18 UN
44	1	120-314-006z	INTAKE FILTER B500 (4-3/16" OAL)
45	1	120-320-006	HOUSING FILTER B500
46	1	123-000-006	OIL PUMP 4 PORT NVE
47	8	123-013-001	WASHER 3/8" SEALING VITON
48	4	123-408-014	BANJO BOLT 1/8" BSPP
49	3	190-014-359	GREASE FITTING, 1/4-28 UNF
50	1	320-083-011	CAP OIL PUMP FEED LINE FITTING
51	1	320-407-005z	OIL LINE -3 SST FEMALE JIC TO BANJO 6.75"
52	1	320-407-006z	OIL LINE -3 SST 90 DEG JIC TO BANJO 17.5"
53	1	320-407-008z	OIL LINE -3 SST 90 DEG JIC TO BANJO 24.00"
54	1	320-407-035	OIL LINE -3 SST 45 DEG JIC TO BANJO 29.75"
55	2	320-408-016	FITTING STR -3 MJIC X 1/8 MNPT
56	2	320-408-017	FITTING ELBOW -3 MJIC X 1/8 MNPT
57	1	320-409-003	P-CLIP, OIL LINE 1/4" X 5/16
58	1	320-LF8	DRIVE TAB
59	1	320-R31	GASKET, OIL PUMP
60	1	412-020-001	WASHER, CUP 4-WAY
61	2	120-063-367	FLANGE 4-WAY 3" NPT
62	2	120-064-001	O-RING, 2-154 VITON
63	1	120-073-E	FAN COVER 607/866/887 POWDERCOAT
300	1	FW - 1/4 USS	FLAT WASHER, 1/4 USS
301	2	HHCS - 3/8-16 UNC X 1.75	HEX HEAD CAP SCREW - 3/8-16 UNC X 1.75
302	2	LW - 3/8	LOCK WASHER, 3/8
303	1	PLUG - 1/4 NPT SH	SOCKET HEAD PLUG - 1/4 NPT
304	1	PLUG - 1/8 NPT SH	SOCKET HEAD PLUG - 1/8 NPT
305	6	RVT 3/32 D X 1/4L SS	BLIND RIVET, 3/32 DIA X 1/4 GRIP, SS
306	5	SFHCS - 1/2-13 UNC X 0.75	SERRATED FLANGE HEX CAP SCREW - 1/2-13 UNC X 0.75
307	1	SFHCS - 3/8-16 UNC X 0.75	SERRATED FLANGE HEX CAP SCREW - 3/8-16 UNC X 0.75
308	8	SFHCS - 3/8-16 UNC X 1.75	SERRATED FLANGE HEX CAP SCREW - 3/8-16 UNC X 1.75
309	6	SFHCS - 3/8-16 UNC X 2.25	SERRATED FLANGE HEX CAP SCREW - 3/8-16 UNC X 2.25
310	22	SFHCS - 5/16-18 UNC X 1.00	SERRATED FLANGE HEX CAP SCREW - 5/16-18 UNC X 1.00
311	7	SHCS - 1/4-20 UNC X 0.75	SOCKET HEAD CAP SCREW - 1/4-20 UNC X 0.75
312	1	SHCS - 5/16-24 UNF X 1.25	SHCS - 5/16-24 UNF X 1.25

607 PRO Challenger Series Fan Cooled | Parts List



ITEM	QTY	PART NUMBER	DESCRIPTION
313	4	SS - 5/16-18 UNC X 1.75	HEXAGON SOCKET SET SCREW - 5/16-18 UNC X 1.75 SS
314	16	TAPSCR - 1/4-14 X 0.75	HEX HEAD SELF TAPPING SCREW 1/4-14 X 0.75
315	8	FW - 3/8	FLAT WASHER, 3/8
316	8	HHCS - 3/8-16 UNC X 0.75	HEX HEAD CAP SCREW - 3/8-16 UNC X 0.75
317	8	HHCS - 5/16-18 UNC X 1.25	HEX HEAD CAP SCREW - 5/16-18 UNC X 1.25
318	8	LW - 3/8	LOCK WASHER, 3/8
319	8	LW - 5/16	LOCK WASHER, 5/16
500	1	310-LP5	HOSE BARB 1/4" X 1/8" NPT STRAIGHT
501	1	320-082-001	OIL TANK, 5QT, W/LOGO
502	1	320-083-009	OIL TANK FILTER, 100 MESH
503	1	320-083-010	FILTER FITTING, OIL TANK 1/4 NPT
504	1	320-407-003	OIL LINE, BLK 1/4" ID 30R7
505	1	320-R102-6IN	OIL LINE, 3/8" X 1/4" ID X 6" LG
506	2	416-025-1WC	CLAMP, WORM, .250" dia



100-607P-LD

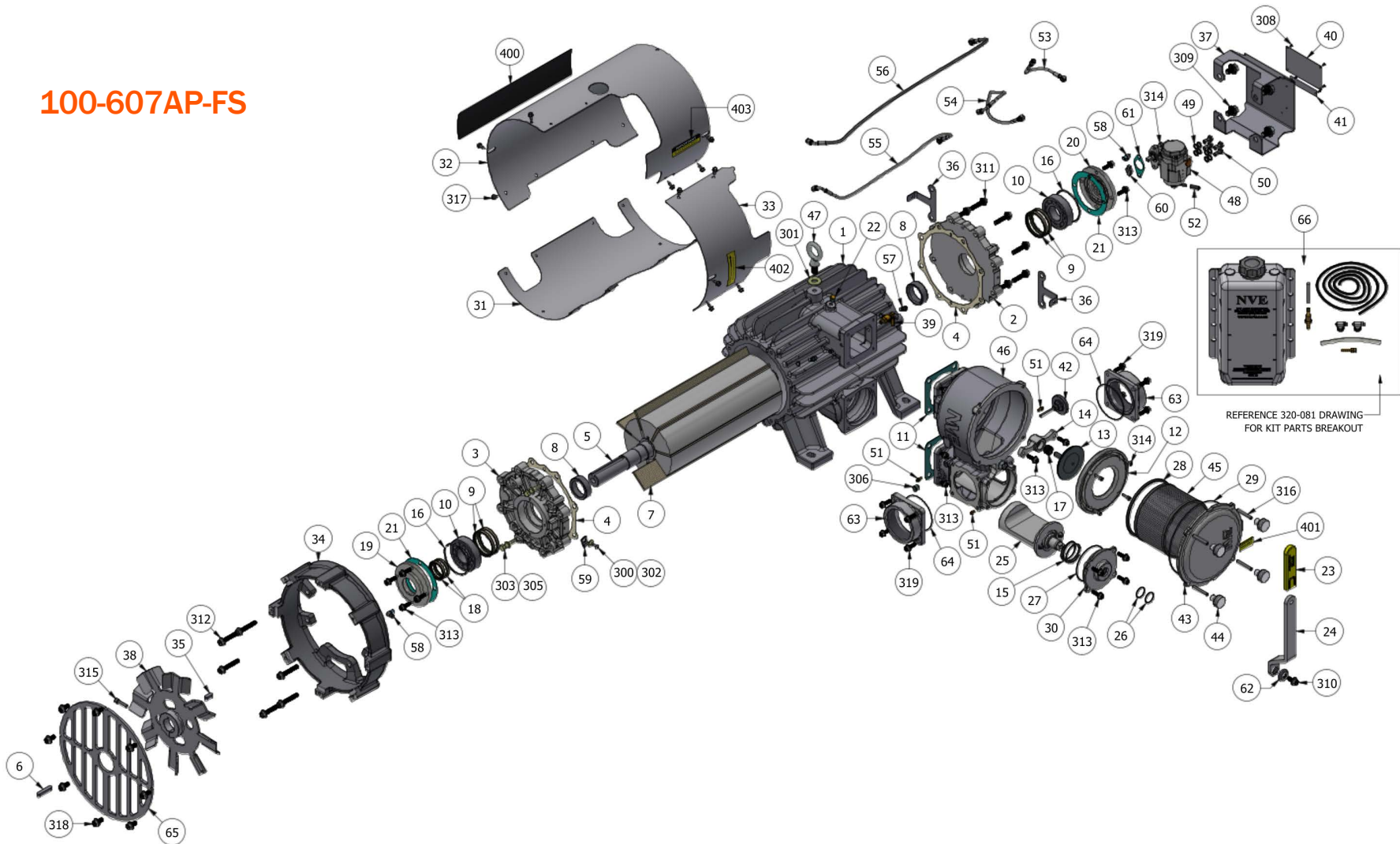
607 PRO Challenger Series Liquid Cooled | Parts List



ITEM	QTY	PART NUMBER	DESCRIPTION
1	1	120-001-367-L	HOUSING 607 LIQ
2	1	120-003-002	ENDPLATE 607 CW
3	1	120-003-003	ENDPLATE 607 CCW
4	2	120-004-367	GASKET ENDPLATE 607
5	1	120-005-367	ROTOR 607
6	1	120-006	KEY 3/8" X 3/8" X 2"
7	7	120-007-367	VANE 607
8	2	120-009-367	SEAL SLEEVE 607
9	4	120-018-367	SEAL 60 X 72 X 8 VITON SGL LIP
10	2	120-019-367	BEARING NJ308 C3
11	2	120-021-367	COVER PLATE, 367 WATER JACKET
12	2	120-022-367	GASKET, 367/506 COVER PLATE
13	2	120-039-367	GASKET 607 INTAKE/EXHAUST
14	1	120-041-005	C.V. POPPIT - 607 & B500
15	1	120-041-006	C.V. SEAT - 607 & B500
16	1	120-041-007	C.V. RETAINER - 607 & B500
17	1	120-045	SPRING 4-WAY FTR VALVE
18	2	120-045-001	SPRING WAVE WIRE 3.50" DIA
19	2	120-047	DRAIN PLUG, 3/4" NPT
20	1	120-047-1	DRAIN PLUG, 3/4" NPT MAGNETIC
21	2	120-053	SEAL 40 X 52 X 7 VITON
22	1	120-054-001	BEARING COVER 607
23	1	120-054-002	BEARING COVER 607 OIL PUMP
24	2	120-055-367	GASKET, FRONT BEARING COVER
25	1	120-058	PLUG BRASS HEX HEAD 1/8" NPT
26	1	120-060-005	GRIP 3/8" HANDLE W/ LOGO
27	1	120-060-007	HANDLE 304, 607, B250 & B500
28	1	120-062-002	PLUG 4-WAY FOR 3/8" HANDLE
29	2	120-064-002	O-RING, 2-214 VITON
30	1	120-064-003	O-RING, 2-240 VITON
31	1	120-064-030	O-RING SQUARE VITON 436
32	1	120-064-035	O-RING 2-266 VITON
33	1	120-065-002	TOWER 3" 607
34	1	120-079-008	GUARD NVE OIL PUMP 607/887 W/ TAG MOUNT
35	1	120-102	VALVE, DRAIN 1/8" NPT
36	1	120-105-607	NAME PLATE SS 607
37	1	120-107-001	SERIAL TAG SS
38	1	120-220	THERMOMETER, 50- 400 DEG, 2" FACE
39	1	120-310-003	COVER FLTR MACHINED 607 & B500
40	4	120-312-002	KNOB 607/866 FLTR COVER 5/16-18 UN

ITEM	QTY	PART NUMBER	DESCRIPTION
41	1	120-314-006z	INTAKE FILTER B500 (4-3/16" OAL)
42	1	120-320-006	HOUSING FILTER B500
43	1	123-000-004	OIL PUMP 4 PORT NVE
44	8	123-013-001	WASHER 3/8" SEALING VITON
45	4	123-408-014	BANJO BOLT 1/8" BSPP
46	3	190-014-359	GREASE FITTING, 1/4-28 UNF
47	1	320-083-011	CAP OIL PUMP FEED LINE FITTING
48	1	320-407-005z	OIL LINE -3 SST FEMALE JIC TO BANJO 6.75"
49	1	320-407-006z	OIL LINE -3 SST 90 DEG JIC TO BANJO 17.5"
50	1	320-407-007z	OIL LINE -3 SST FEMALE JIC TO BANJO 28.75"
51	1	320-407-014	OIL LINE -3 SST FEMALE JIC TO BANJO 32.25"
52	2	320-408-016	FITTING STR -3 MJIC X 1/8 MNPT
53	2	320-408-017	FITTING ELBOW -3 MJIC X 1/8 MNPT
54	4	320-409-003	P-CLIP, OIL LINE 1/4" X 5/16
55	1	320-LF8	DRIVE TAB
56	1	320-R31	GASKET, OIL PUMP
57	1	412-020-001	WASHER, CUP 4-WAY
58	2	120-063-367	FLANGE 4-WAY 3" NPT
59	2	120-064-001	O-RING, 2-154 VITON
300	1	PLUG - 1/4 NPT SH	SOCKET HEAD PLUG - 1/4 NPT
301	1	PLUG - 1/8 NPT SH	SOCKET HEAD PLUG - 1/8 NPT
302	6	RVT 3/32 D X 1/4L SS	BLIND RIVET, 3/32 DIA X 1/4 GRIP, SS
303	5	SFHCS - 1/2-13 UNC X 0.75	SERRATED FLANGE HEX CAP SCREW - 1/2-13 UNC X 0.75
304	1	SFHCS - 3/8-16 UNC X 0.75	SERRATED FLANGE HEX CAP SCREW - 3/8-16 UNC X 0.75
305	16	SFHCS - 3/8-16 UNC X 1.75	SERRATED FLANGE HEX CAP SCREW - 3/8-16 UNC X 1.75
306	16	SFHCS - 5/16-18 UNC X 0.75	SERRATED FLANGE HEX HEAD SCREW - 5/16-18 UNC X 0.75
307	22	SFHCS - 5/16-18 UNC X 1.00	SERRATED FLANGE HEX CAP SCREW - 5/16-18 UNC X 1.00
308	6	SHCS - 1/4-20 UNC X 0.75	SOCKET HEAD CAP SCREW - 1/4-20 UNC X 0.75
309	4	SS - 5/16-18 UNC X 1.75	HEXAGON SOCKET SET SCREW - 5/16-18 UNC X 1.75 SS
310	8	HHCS - 5/16-18 UNC X 1.25	HEX HEAD CAP SCREW - 5/16-18 UNC X 1.25
311	8	LW - 5/16	LOCK WASHER, 5/16
500	1	310-LP5	HOSE BARB 1/4" X 1/8" NPT STRAIGHT
501	1	320-082-001	OIL TANK, 5QT, W/LOGO
502	1	320-083-009	OIL TANK FILTER, 100 MESH
503	1	320-083-010	FILTER FITTING, OIL TANK 1/4 NPT
504	1	320-407-003	OIL LINE, BLK 1/4" ID 30R7
505	1	320-R102-6IN	OIL LINE, 3/8" X 1/4" ID X 6" LG
506	2	416-025-1WC	CLAMP, WORM, .250" dia

100-607AP-FS



607 PRO Side Valve | Parts List



PARTS LIST

ITEM	QTY	PART NUMBER	DESCRIPTION
1	1	120-001-607A	HOUSING 607 SIDE MANIFOLD
2	1	120-003-002	ENDPLATE 607 CW
3	1	120-003-003	ENDPLATE 607 CCW
4	2	120-004-367	GASKET ENDPLATE 607
5	1	120-005-367	ROTOR 607
6	1	120-006	KEY 3/8" X 3/8" X 2"
7	7	120-007-367	VANE 607
8	2	120-009-367	SEAL SLEEVE 607
9	4	120-018-367	SEAL 60 X 72 X 8 VITON SGL LIP
10	2	120-019-367	ROLLER BEARING
11	2	120-039-367	GASKET 607 INTAKE/EXHAUST
12	1	120-041-006	C.V. SEAT - 607 & B500
13	1	120-041-012	C.V. POPPIT, SPRING ASSIST - 607 & B500
14	1	120-041-013	C.V. RETAINER, SPRING ASSIST - 607 & B500
15	1	120-045	SPRING 4-WAY FTR VALVE
16	2	120-045-001	SPRING WAVE WIRE 3.50" DIA
17	1	120-045-012	607 INTAKE CHECK VALVE SPRING
18	2	120-053	SEAL 40 X 52 X 7 VITON
19	1	120-054-001	BEARING COVER 607
20	1	120-054-002	BEARING COVER 607 OIL PUMP
21	2	120-055-367	GASKET, FRONT BEARING COVER
22	1	120-058	PLUG BRASS HEX HEAD 1/8" NPT
23	1	120-060-005	GRIP 3/8" HANDLE W/ LOGO
24	1	120-060-007	HANDLE, 607 & B500
25	1	120-062-002	PLUG 4-WAY FOR 3/8" HANDLE
26	2	120-064-002	O-RING, 2-214 VITON
27	1	120-064-003	O-RING, 2-240 VITON
28	1	120-064-030	O-RING SQUARE VITON 436
29	1	120-064-035	O-RING 2-266 VITON
30	1	120-065-002	TOWER 3" 607
31	1	120-070-006	SHROUD LOWER 607 SIDE VALVE
32	1	120-071-006	SHROUD UPPER 607 SIDE VALVE
33	1	120-072-006	SHROUD SERVICE PANEL 607 SIDE VALVE
34	1	120-074-001	FAN SHROUD 607
35	1	120-076	KEY 3/8" X 3/8" X 1"
36	2	120-077-004	SHROUD SUPPORT PLATE 607
37	1	120-079-008	GUARD NVE OIL PUMP 607/887 W/ TAG MOUNT
38	1	120-083-001	FAN ASSY 607 CCW
39	1	120-102	VALVE, DRAIN 1/8" NPT
40	1	120-105-607	NAME PLATE SS 607

ITEM	QTY	PART NUMBER	DESCRIPTION
41	1	120-107-001	SERIAL TAG SS
42	1	120-220	THERMOMETER, 50- 400 DEG, 2" FACE
43	1	120-310-003	COVER FLTR MACHINED 607 & B500
44	4	120-312-002	KNOB, 5/16-18UNC
45	1	120-314-006z	INTAKE FILTER 607/B500 (PURCHASED)
46	1	120-320-006	HOUSING FILTER B500 & 607
47	1	120-351-006	LIFT EYE SHOULDERED - 1/2-13 X 0.75" ZINC PLATED
48	1	123-000-004	OIL PUMP 4 PORT NVE
49	8	123-013-001	WASHER 3/8" SEALING VITON
50	4	123-408-014	BANJO BOLT 1/8" BSPP
51	3	190-014-359	GREASE FITTING, 1/4-28 UNF
52	1	320-083-011	CAP OIL PUMP FEED LINE FITTING
53	1	320-407-005-035	607 SIDE MANIFOLD, CCW FAN COOLED
54	1	320-407-006-035	607 SIDE MANIFOLD, CCW FAN COOLED
55	1	320-407-008-035	607 SIDE MANIFOLD, CCW FAN COOLED
56	1	320-407-035	OIL LINE -3 SST 45 DEG JIC TO BANJO 29.75"
57	2	320-408-016	FITTING STR -3 MJIC X 1/8 MNPT
58	2	320-408-017	FITTING ELBOW -3 MJIC X 1/8 MNPT
59	1	320-409-003	P-CLIP, OIL LINE 1/4" X 5/16
60	1	320-LF8	DRIVE TAB
61	1	320-R31	GASKET OIL PUMP
62	1	412-020-001	WASHER, CUP 4-WAY
63	2	120-063-367	FLANGE 4-WAY 3" NPT
64	2	120-064-001	O-RING, 2-154 VITON
65	1	120-073-E	E-COAT FAN GUARD, 367, 460, 466 & 506
66	1	320-081	REMOTE OIL TANK KIT

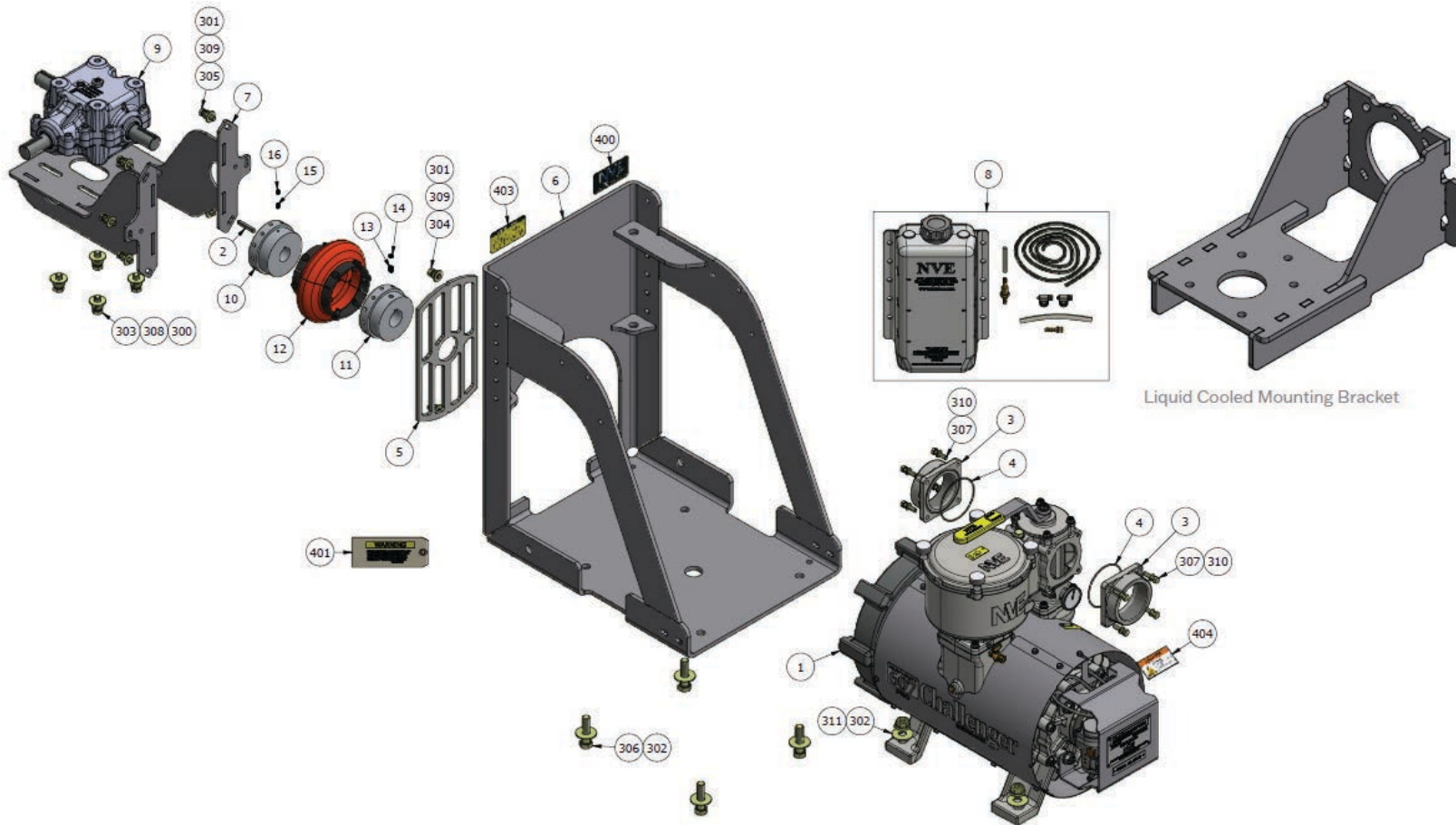
FASTENERS LIST

ITEM	QTY	PART NUMBER	DESCRIPTION
300	1	BHCS - 1/4-20 UNC X 0.50	BHCS - 1/4-20 UNC X 0.50
300	1	BHCS - 1/4-20 UNC X 0.50	BHCS - 1/4-20 UNC X 0.50
302	1	FW - 1/4 USS	FLAT WASHER - 1/4 USS
303	2	HHCS - 3/8-16 UNC X 1.75	HEX HEAD CAP SCREW - 3/8-16 UNC X 1.75
304	4	HHCS - 5/16-18 UNC X 1.00	HEX HEAD CAP SCREW - 5/16-18 UNC X 1.00
305	2	LW - 3/8	LOCK WASHER, 3/8
306	2	PLUG - 1/4 NPT SH	SOCKET HEAD PLUG - 1/4 NPT
307	1	PLUG - 1/8 NPT SH	SOCKET HEAD PLUG - 1/8 NPT
308	6	RVT 3/32 D X 1/4L SS	BLIND RIVET, 3/32 DIA X 1/4 GRIP, SS
309	5	SFHCS - 1/2-13 UNC X 0.75	SERRATED FLANGE HEX HEAD SCREW - 1/2-13 UNC X 0.75
310	1	SFHCS - 3/8-16 UNC X 0.75	SERRATED FLANGE HEX HEAD SCREW - 3/8-16 UNC X 0.75
311	8	SFHCS - 3/8-16 UNC X 1.75	SERRATED FLANGE HEX HEAD SCREW - 3/8-16 UNC X 1.75
312	6	SFHCS - 3/8-16 UNC X 2.25	SERRATED FLANGE HEX HEAD SCREW - 3/8-16 UNC X 2.25
313	22	SFHCS - 5/16-18 UNC X 1.00	SERRATED FLANGE HEX HEAD SCREW - 5/16-18 UNC X 1.00
314	6	SHCS - 1/4-20 UNC X 0.75	SOCKET HEAD CAP SCREW - 1/4-20 UNC X 0.75
315	1	SHCS - 5/16-24 UNF X 1.25	SHCS - 5/16-24 UNF X 1.25
316	4	SS - 5/16-18 UNC X 2.00	HEXAGON SOCKET SET SCREW - 5/16-18 UNC X 2.00 SS
317	15	TAPSCR - 1/4-14 X 0.75	HEX HEAD SELF TAPPING SCREW 1/4-14
318	8	SFHCS - 3/8-16 UNC X 0.75	SERRATED FLANGE HEX HEAD SCREW - 3/8-16 UNC X 0.75
319	8	SFHCS - 5/16-18 UNC X 1.00	SERRATED FLANGE HEX HEAD SCREW - 5/16-18 UNC X 1.00

DECALS LIST

ITEM	QTY	PART NUMBER	DESCRIPTION
400	1	120-100-005	DECAL 607 PRO CHALLENGER HEAVY DUTY
401	1	120-100-012	DECAL CLEAN FILTER REGULARY YELLOW
402	1	120-101-004	DECAL CCW ROTATION ARROW
403	1	120-103-367	DECAL, IMPORTANT, MAX OPERATING TEMP

607 PRO Pump Stand Complete | Parts Diagram

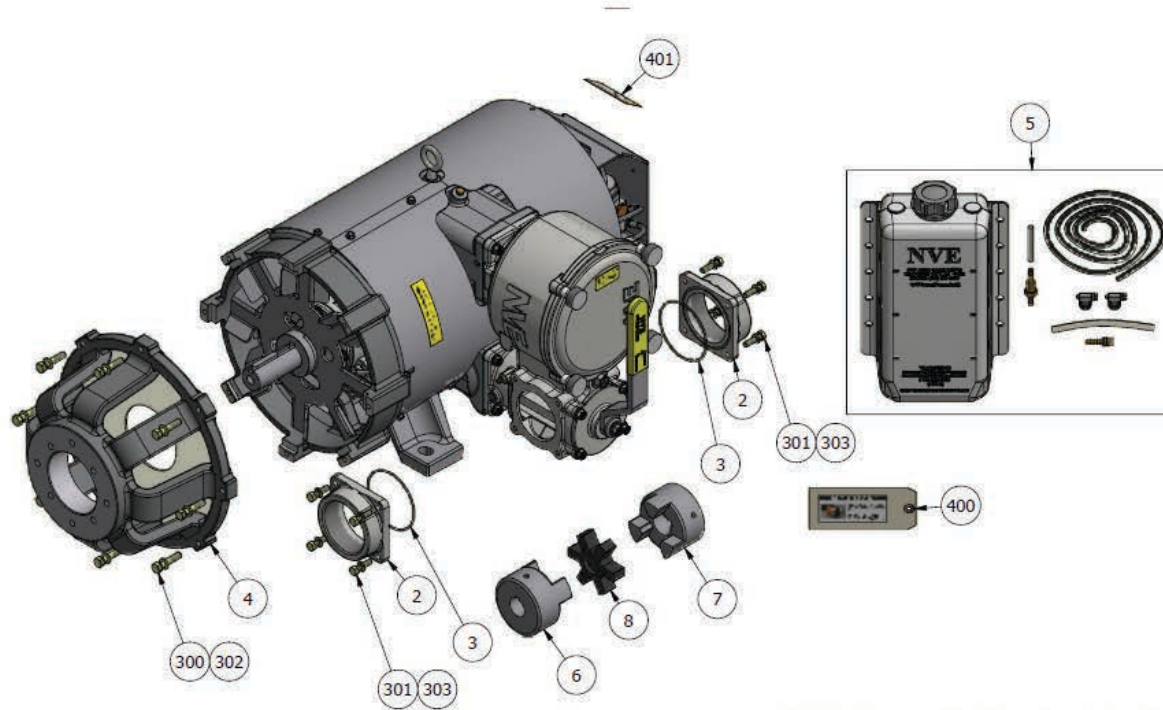


Available with gearbox or hydraulic drive applications.

607 PRO Pump Stand Complete | Parts List

ITEM	QTY	PART NUMBER	DESCRIPTION
1	1	100-607P-FD	CHALLENGER 607 PRO CW FAN
2	1	120-006-184	KEY .25" X .25" X 1.875"
3	2	120-063-367	FLANGE 4-WAY 3" NPT
4	2	120-064-001	O-RING, 2-154 VITON
5	1	120-073-ET	FAN GUARD 607P TRIMMED
6	1	280-350-017	PUMP STAND, 607P MUFFLER PACK
7	1	280-401-003	607P GEARBOX MOUNT WELDED
8	1	320-081	REMOTE OIL TANK KIT
9	1	422-400-1	GEARBOX 400 SERIES 1:1 RATIO 1-1/4"
10	1	424-200-125	COUPLER HUB E20 1 1/4" BORE 1/4" KEY
11	1	424-200-150	COUPLER HUB E20 1 1/2" BORE
12	1	424-200-E20	COUPLER FLEX ELEMENT E20
13	1	864-015	KNURLED CUP POINT SET SCREW 3/8"-16 UNC X 0.375"
14	1	864-016	FLAT TIP SET SCREW 3/8"-16 UNC X 0.375"
15	1	864-017	KNURLED CUP POINT SET SCREW 1/4"-20 UNC X 0.4375"
16	1	864-018	FLAT TIP SET SCREW 1/4"-20 UNC X 0.375"
300	4	FW - 1/2	FLAT WASHER, 1/2
301	8	FW - 3/8	FLAT WASHER, 3/8
302	8	FW - 5/8	FLAT WASHER, 5/8
303	4	HHCS - 1/2-13 UNC X 1.25	HEX HEAD CAP SCREW - 1/2-13 UNC X 1.25
304	2	HHCS - 3/8-16 UNC X 0.75	HEX HEAD CAP SCREW - 3/8-16 UNC X 0.75
305	6	HHCS - 3/8-16 UNC X 1.25	HEX HEAD CAP SCREW - 3/8-16 UNC X 1.25
306	4	HHCS - 5/8-11 UNC X 2.50	HEX HEAD CAP SCREW - 5/8-11 UNC X 2.50
307	8	HHCS - 5/16-18 UNC X 1.25	HEX HEAD CAP SCREW - 5/16-18 UNC X 1.25
308	4	LW - 1/2	LOCK WASHER, 1/2
309	8	LW - 3/8	LOCK WASHER, 3/8
310	8	LW - 5/16	LOCK WASHER, 5/16
311	4	NYLOCK NUT - 5/8 UNC	NYLOCK NUT - 5/8 UNC

607 PRO Hydraulic Motor Drive | Parts Diagram

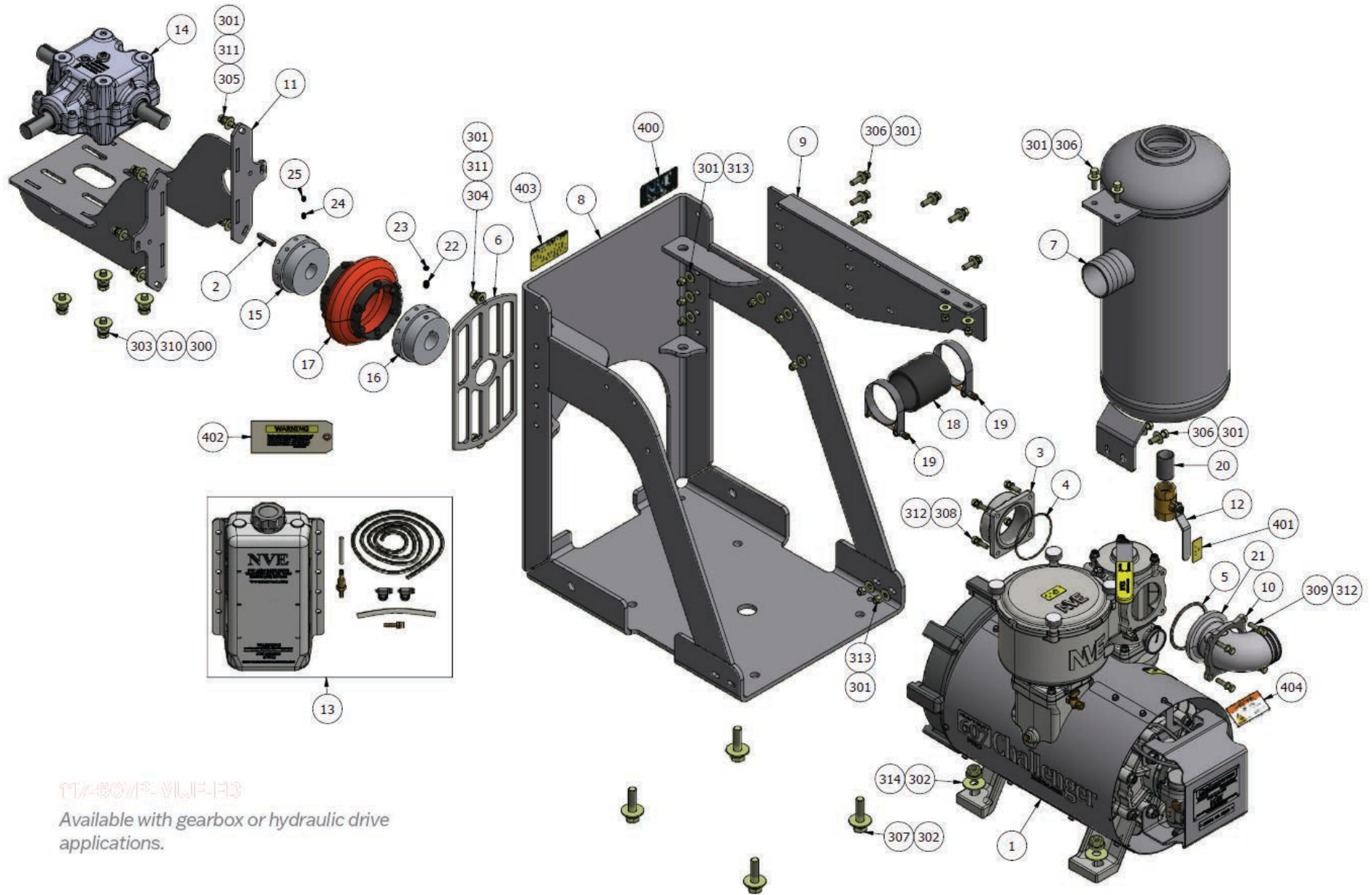


**Note: For applications involving liquid cooled pumps, a fan shroud will be required for proper hydraulic motor drive installation.*

607 PRO Hydraulic Motor Drive | Parts List

ITEM	QTY	PART NUMBER	DESCRIPTION
1	1	100-607AP-FS	CHALLENGER 607 PRO SV CCW FAN
2	2	120-063-367	FLANGE 4-WAY 3" NPT
3	2	120-064-001	O-RING, 2-154 VITON
4	1	120-400-001	HYDRAULIC ADAPTER 607/866 SAE
5	1	320-081	REMOTE OIL TANK KIT
6	1	424-150-125-HYD	COUPLER FLANGE, LOVEJOY 1.25" X 5/16" KEYWAY
7	1	424-150-150	COUPLER FLANGE, LOVEJOY 1.50" X 3/8 KEY
8	1	424-150-S	SPIDER, LOVEJOY 150, EPDM

ITEM	QTY	PART NUMBER	DESCRIPTION
300	8	HHCS - 3/8-16 UNC X 1.75	HEX HEAD CAP SCREW - 3/8-16 UNC X 1.75
301	8	HHCS - 5/16-18 UNC X 1.25	HEX HEAD CAP SCREW - 5/16-18 UNC X 1.25
302	8	LW - 3/8	LOCK WASHER, 3/8
303	8	LW - 5/16	LOCK WASHER, 5/16



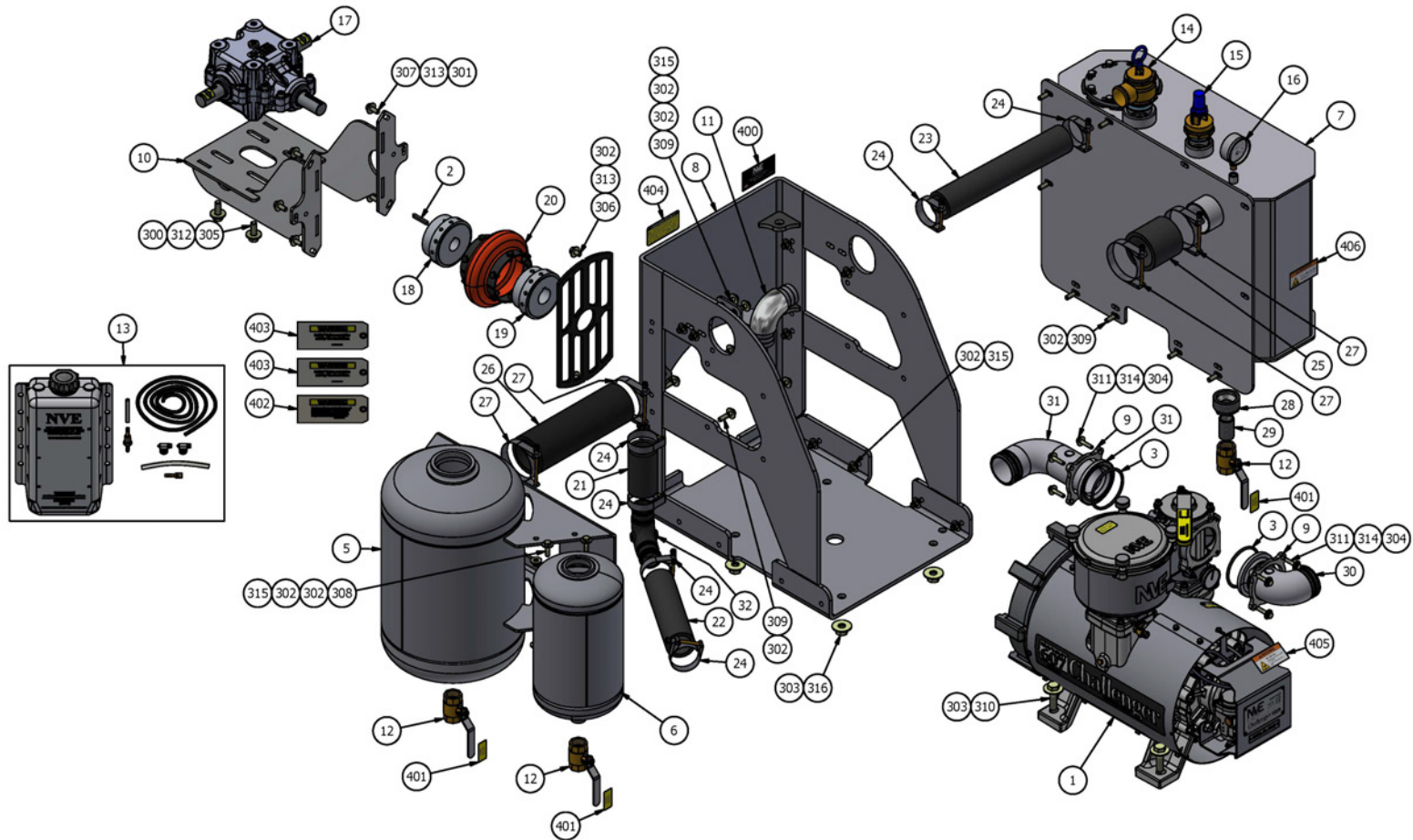
17-801P-VLUF-H3

Available with gearbox or hydraulic drive applications.

607 PRO Muffler Package | Parts List



ITEM	QTY	PART NUMBER	DESCRIPTION
1	1	100-607P-FD	CHALLENGER 607 PRO CW FAN
2	1	120-006-184	KEY .25" X .25" X 1.875"
3	1	120-063-367	FLANGE 4-WAY 3" NPT
4	1	120-064-001	O-RING, 2-154 VITON
5	1	120-064-016	O-RING, 2-342 VITON
6	1	120-073-ET	FAN GUARD 607P TRIMMED
7	1	212-100-3NPT-4	OCM 10" DIA X 25.1875" NPT W/ HB
8	1	280-350-017	PUMP STAND, 607P MUFFLER PACK
9	1	280-355-193	OCM BRACKET 607 MUF FD
10	1	280-355-368	FLANGE 3" ADJ ELBOW NARROW
11	1	280-401-003	607P GEARBOX MOUNT WELDED
12	1	288-100	DRAIN VALVE BRASS 1" IPS
13	1	320-081	REMOTE OIL TANK KIT
14	1	422-400-1	GEARBOX 400 SERIES 1:1 RATIO 1-1/4"
15	1	424-200-125	COUPLER HUB E20 1 1/4" BORE 1/4" KEY
16	1	424-200-150	COUPLER HUB E20 1 1/2" BORE
17	1	424-200-E20	COUPLER FLEX ELEMENT E20
18	1	426-300-TAR-0350	HOSE 3"D X 3.5" L
19	2	426-3875-TBC	CLAMP, T-BOLT 3.875"
20	1	428-100-2C	NIPPLE, CLOSE, 1", BLK
21	1	803-063-015	POWDER COAT ELBOW (803-063-005 REPLACEMENT)
22	1	864-015	KNURLED CUP POINT SET SCREW 3/8"-16 UNC X 0.375"
23	1	864-016	FLAT TIP SET SCREW 3/8"-16 UNC X 0.375"
24	1	864-017	KNURLED CUP POINT SET SCREW 1/4"-20 UNC X 0.4375"
25	1	864-018	FLAT TIP SET SCREW 1/4"-20 UNC X 0.375"
300	4	FW - 1/2	FLAT WASHER, 1/2
301	28	FW - 3/8	FLAT WASHER, 3/8
302	8	FW - 5/8	FLAT WASHER, 5/8
303	4	HHCS - 1/2-13 UNC X 1.25	HEX HEAD CAP SCREW - 1/2-13 UNC X 1.25
304	2	HHCS - 3/8-16 UNC X 0.75	HEX HEAD CAP SCREW - 3/8-16 UNC X 0.75
305	6	HHCS - 3/8-16 UNC X 1.25	HEX HEAD CAP SCREW - 3/8-16 UNC X 1.25
306	10	HHCS - 3/8-16 UNC X 1.50	HEX HEAD CAP SCREW - 3/8-16 UNC X 1.50
307	4	HHCS - 5/8-11 UNC X 2.50	HEX HEAD CAP SCREW - 5/8-11 UNC X 2.50
308	4	HHCS - 5/16-18 UNC X 1.25	HEX HEAD CAP SCREW - 5/16-18 UNC X 1.25
309	4	HHCS - 5/16-18 UNC X 1.50	HEX HEAD CAP SCREW - 5/16-18 UNC X 1.50
310	4	LW - 1/2	LOCK WASHER, 1/2
311	8	LW - 3/8	LOCK WASHER, 3/8
312	8	LW - 5/16	LOCK WASHER, 5/16
313	10	NYLOCK NUT - 3/8 UNC	NYLOCK NUT - 3/8 UNC
314	4	NYLOCK NUT - 5/8 UNC	NYLOCK NUT - 5/8 UNC



117 - 607P - MAX - FD

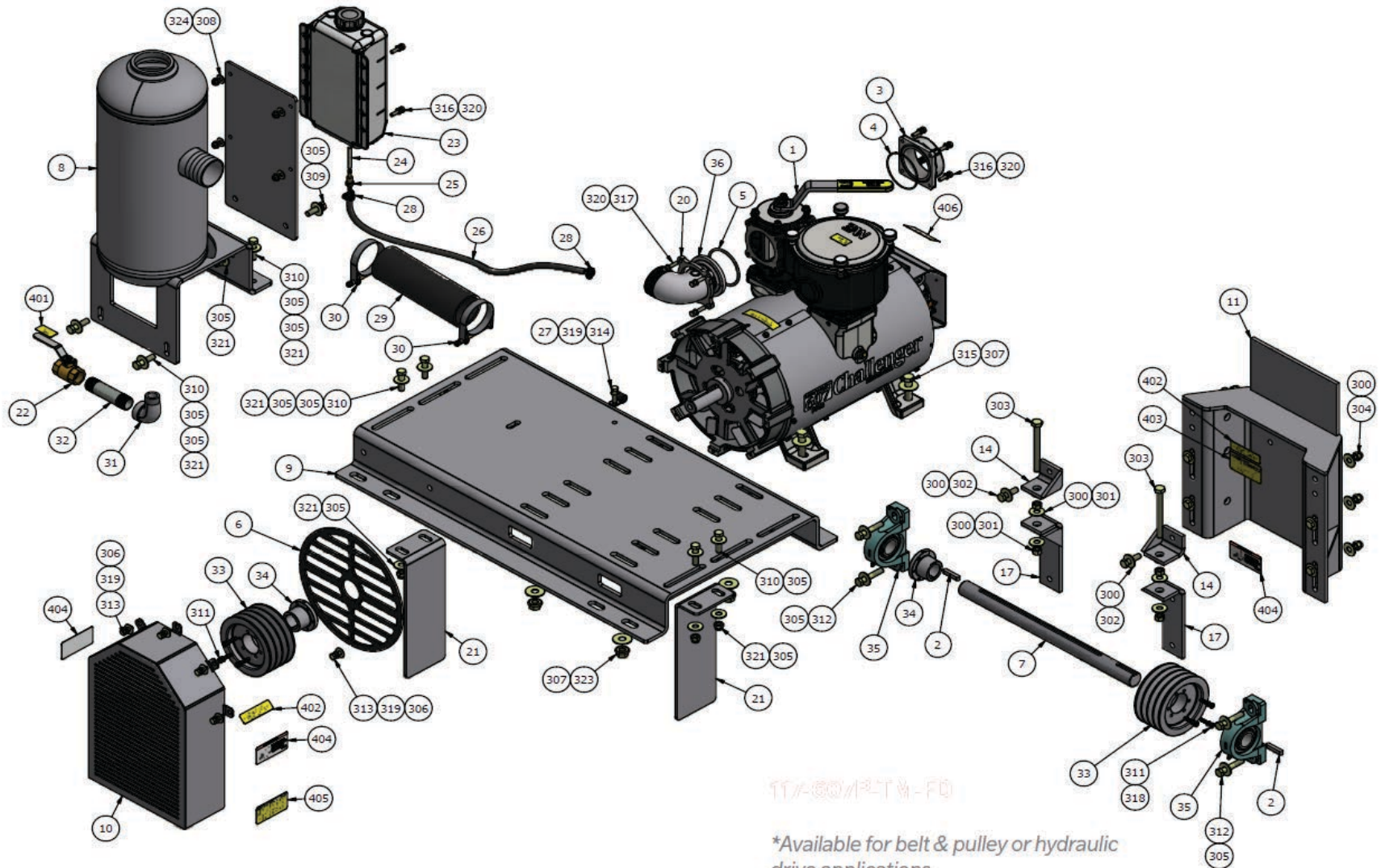
Available with gearbox or hydraulic drive applications.

607 PRO Max Package | Parts List



ITEM	QTY	PART NUMBER	DESCRIPTION
1	1	100-607P-FD	CHALLENGER 607 PRO CW FAN
2	1	120-006-184	KEY .25" X .25" X 1.875"
3	2	120-064-016	O-RING, 2-342 VITON
4	1	120-073-ET	FAN GUARD 607P TRIMMED
5	1	212-120-3FNPT-1	OCM 12" DIA 3" FNPT WITH HB RH MOUNT
6	1	212-800-2FPT	OCM 8" DIA 2" FPT CARBON
7	1	218-001-3R	MT BOLT ON 3" RH ALU
8	1	280-355-090	PUMP STAND
9	2	280-355-368	FLANGE 3" ADJ ELBOW NARROW
10	1	280-401-003	607P GEARBOX MOUNT WELDED
11	1	280-510-025	ELBOW 2" SRE TO 2" HB W/BRKT (RH)
12	3	288-100	DRAIN VALVE BRASS 1" IPS
13	1	320-081	REMOTE OIL TANK KIT
14	1	364-306-2	PRESSURE RELIEF, 2"
15	1	366-150	VACUUM RELIEF, 1 1/2" NPT
16	1	408-250-LF	GAUGE, 2.5" VAC/PRESS, LIQ BOTTOM CONN
17	1	422-400-1	GEARBOX 400 SERIES 1:1 RATIO 1-1/4"
18	1	424-200-125	COUPLER HUB E20 1 1/4" BORE 1/4" KEY
19	1	424-200-150	COUPLER HUB E20 1 1/2" BORE
20	1	424-200-E20	COUPLER FLEX ELEMENT E20
21	1	426-200-TAR-0450	HOSE 2"D X 4.5" L
22	1	426-200-TAR-1000	HOSE 2" D X 10.0" L
23	1	426-200-TAR-1500	HOSE 2"D X 15.0" L
24	6	426-225-TBC	CLAMP T-BOLT FOR 2" HOSE
25	1	426-300-TAR-0350	HOSE 3"D X 3.5" L
26	1	426-300-TAR-1150	HOSE 3"D X 11.5" L
27	4	426-3875-TBC	CLAMP, T-BOLT 3.875"
28	1	428-2X1-CG	BUSHING 2" MPT X 1" FPT GALVANIZED
29	2	428-100-2G	NIPPLE CLOSE MNPT 1" GALV
30	1	803-063-013	ELBOW 90 DEG 2" CAST E-COAT
31	1	803-063-015	POWDER COAT ELBOW (803-063-005 REPLACEMENT)
32	1	803-063-016	POWDER COAT ELBOW (803-063-006 REPLACEMENT)
33	1	864-015	KNURLED CUP POINT SET SCREW 3/8"-16 UNC X 0.375"
34	1	864-016	FLAT TIP SET SCREW 3/8"-16 UNC X 0.375"
35	1	864-017	KNURLED CUP POINT SET SCREW 1/4"-20 UNC X 0.4375"
36	1	864-018	FLAT TIP SET SCREW 1/4"-20 UNC X 0.375"
300	4	FW - 1/2	FLAT WASHER, 1/2
301	46	FW - 3/8	FLAT WASHER, 3/8
302	8	FW - 5/8	FLAT WASHER, 5/8
303	4	HHCS - 1/2-13 UNC X 1.25	HEX HEAD CAP SCREW - 1/2-13 UNC X 1.25

ITEM	QTY	PART NUMBER	DESCRIPTION
304	2	HHCS - 3/8-16 UNC X 0.75	HEX HEAD CAP SCREW - 3/8-16 UNC X 0.75
305	6	HHCS - 3/8-16 UNC X 1.25	HEX HEAD CAP SCREW - 3/8-16 UNC X 1.25
306	19	HHCS - 3/8-16 UNC X 1.50	HEX HEAD CAP SCREW - 3/8-16 UNC X 1.50
307	4	HHCS - 5/8-11 UNC X 2.50	HEX HEAD CAP SCREW - 5/8-11 UNC X 2.50
308	8	HHCS - 5/16-18 UNC X 1.50	HEX HEAD CAP SCREW - 5/16-18 UNC X 1.50
309	4	LW - 1/2	LOCK WASHER, 1/2
310	8	LW - 3/8	LOCK WASHER, 3/8
311	8	LW - 5/16	LOCK WASHER, 5/16
312	19	NYLOCK NUT - 3/8 UNC	NYLOCK NUT - 3/8 UNC
313	4	NYLOCK NUT - 5/8 UNC	NYLOCK NUT - 5/8 UNC

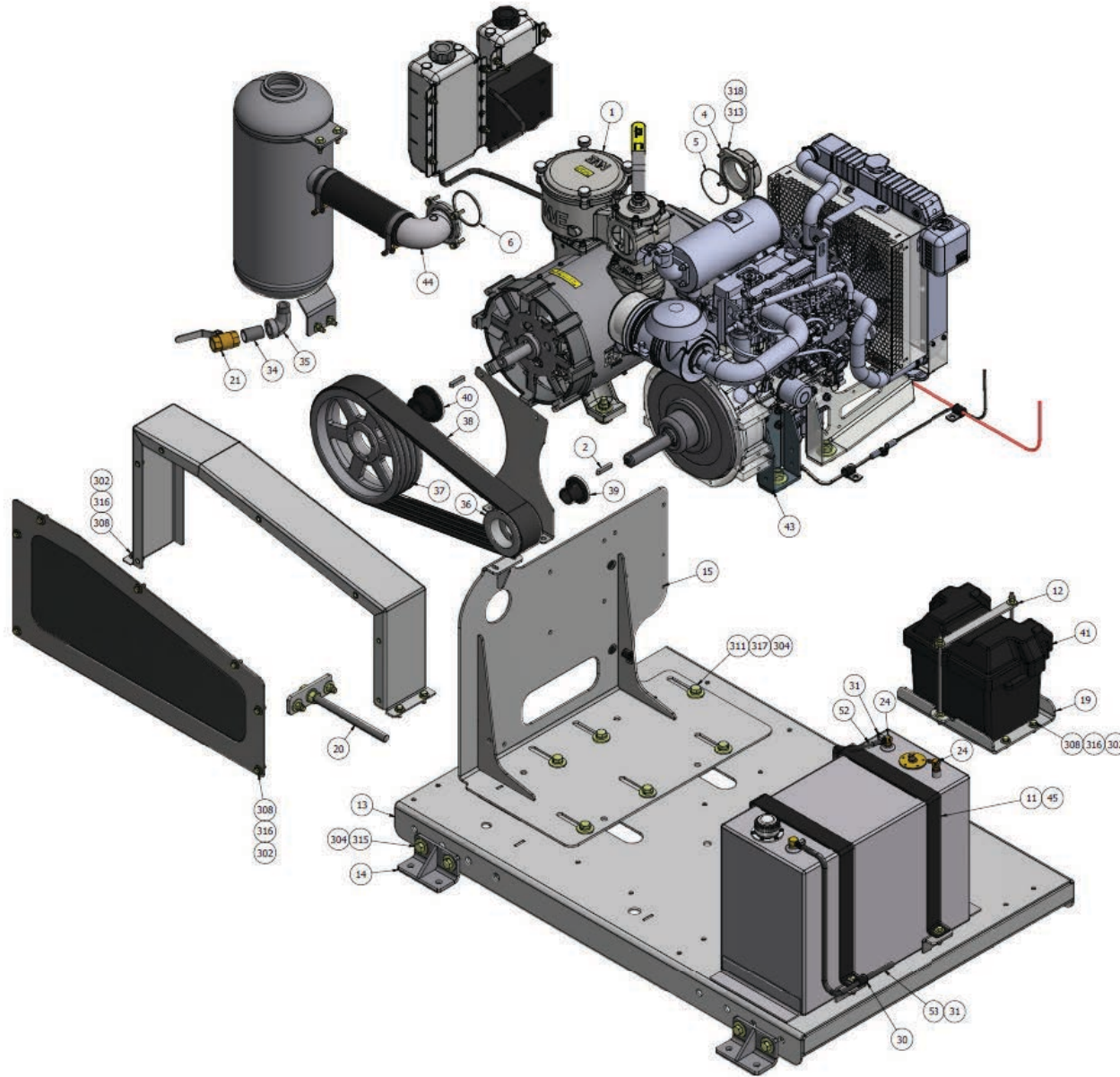


607 PRO Top Mount Belt Drive & Pulley Drive Package | Parts List



ITEM	QTY	PART NUMBER	DESCRIPTION
1	1	100-607P-FD	CHALLENGER 607 PRO CW FAN
2	2	120-006	KEY 3/8" X 3/8" X 2"
3	1	120-063-367	FLANGE 4-WAY 3" NPT
4	1	120-064-001	O-RING, 2-154 VITON
5	1	120-064-016	O-RING, 2-342 VITON
6	1	120-073-E	FAN COVER 607/866/887 POWDERCOAT
7	1	126-367-TM3	JACK SHAFT 607 TM 22IN
8	1	212-100-3NPT-5	OCM 10" DIA X 17.5" NPT W/ HB (TM)
9	1	280-355-006	TM PACKAGE BASE
10	1	280-355-007	TM PACKAGE, UPPER BELT GUARD
11	1	280-355-046-1	608 TM JACKSHAFT ASSY (STYLE B) - 1
12	1	280-355-046-2	608 TM JACKSHAFT ASSY (STYLE B) - 2
13	2	280-355-046-3	608 TM JACKSHAFT ASSY (STYLE B) - 3
14	2	280-355-046-4	608 TM JACKSHAFT ASSY (STYLE B) - 4
15	2	280-355-046-5	608 TM JACKSHAFT ASSY (STYLE B) - 5
16	2	280-355-046-6	608 TM JACKSHAFT ASSY (STYLE B) - 6
17	2	280-355-046-7	608 TM JACKSHAFT ASSY (STYLE B) - 7
18	2	280-500-WNC	1/2"-13 UNC WELD NUT
19	1	280-355-183	OIL TANK MOUNT
20	1	280-355-368	FLANGE 3" ADJ ELBOW NARROW
21	2	280-367-TM7	L MOUNTING BRACKET, 367 TM
22	1	288-100	DRAIN VALVE BRASS 1" IPS
23	1	320-082-001	OIL TANK, 5QT, W/LOGO
24	1	320-083-009	OIL TANK FILTER, 100 MESH
25	1	320-083-010	FILTER FITTING, OIL TANK 1/4 NPT
26	1	320-407-003	OIL LINE BLK 1/4" ID 30R7
27	1	320-409-004	P-CLIP .562 CLAMP DIA .406 HOLE DIA. GALV. VINYL
28	2	416-025-1WC	CLAMP, WORM, .250" dia
29	1	426-300-TAR-1050	HOSE 3"D X 10.5"L
30	2	426-3875-TBC	CLAMP, T-BOLT 3.875"
31	1	428-100-E	STREET ELBOW 90 DEG. 1" NPT
32	1	428-105-2G	NIPPLE MNPT 2"X3" GALV NIPPLE
33	2	430-367-TM1	6" SHEAVE, 4 BELT, SD STYLE BUSHING
34	2	430-367-TM2	BUSHING, 367 TM, SD X 1.5
35	2	430-400-004	BEARING 1.5 PILLOW BLOCK
36	1	803-063-015	POWDER COAT ELBOW (803-063-005 REPLACEMENT)
300	16	FW - 1/2	FLAT WASHER, 1/2
301	4	HEX NUT - 1_2 UNC	HEX NUT - 1_2 UNC
302	6	HHCS - 1/2-13 UNC X 1.75	HEX HEAD CAP SCREW - 1/2-13 UNC X 1.75

ITEM	QTY	PART NUMBER	DESCRIPTION
303	2	HHCS - 1/2-13 UNC X 5.50 FT	HEX HEAD CAP SCREW - 1/2-13 UNC X 5.50 FULL THREAD
304	6	NYLOCK NUT - 1/2 UNC	NYLOCK NUT - 1/2 UNC
305	28	FW - 1/2	FLAT WASHER, 1/2
306	7	FW - 3/8	*Varies*
307	8	FW - 5/8	FLAT WASHER, 5/8
308	4	FW - 5/16	FLAT WASHER, 5/16
309	2	HHCS - 1/2-13 UNC X 1.75	HEX HEAD CAP SCREW - 1/2-13 UNC X 1.75
310	8	HHCS - 1/2-13 UNC X 2.00	HEX HEAD CAP SCREW - 1/2-13 UNC X 2.00
311	6	HHCS - 1/4-20 UNC X 1.375 NP	HEX HEAD CAP SCREW - 1/4-20 UNC X 1.375 NO PLATING
312	4	HHCS - 1_2-13 UNC X 2.75	HEX HEAD CAP SCREW - 1/2 -13 UNC x 2.75
313	6	HHCS - 3/8-16 UNC X 1.00	HEX HEAD CAP SCREW - 3/8-16 UNC X 1.00
314	1	HHCS - 3/8-16 UNC X 1.50	HEX HEAD CAP SCREW - 3/8-16 UNC X 1.50
315	4	HHCS - 5/8-11 UNC X 2.50	HEX HEAD CAP SCREW - 5/8-11 UNC X 2.50
316	8	HHCS - 5/16-18 UNC X 1.25	HEX HEAD CAP SCREW - 5/16-18 UNC X 1.25
317	4	HHCS - 5/16-18 UNC X 1.50	HEX HEAD CAP SCREW - 5/16-18 UNC X 1.50
318	6	LW - 1/4 NP (EXTERNAL)	LOCK WASHER, 1/4 NO PLATING (SUPPLIED W/ BUSHING)
319	7	LW - 3/8	LOCK WASHER, 3/8
320	12	LW - 5/16	LOCK WASHER, 5/16
321	14	NYLOCK NUT - 1/2 UNC	NYLOCK NUT - 1/2 UNC
322	1	NYLOCK NUT - 3/8 UNC	NYLOCK NUT - 3/8 UNC
323	4	NYLOCK NUT - 5/8 UNC	NYLOCK NUT - 5/8 UNC
324	4	NYLOCK NUT - 5/16 UNC	NYLOCK NUT - 5/16 UNC

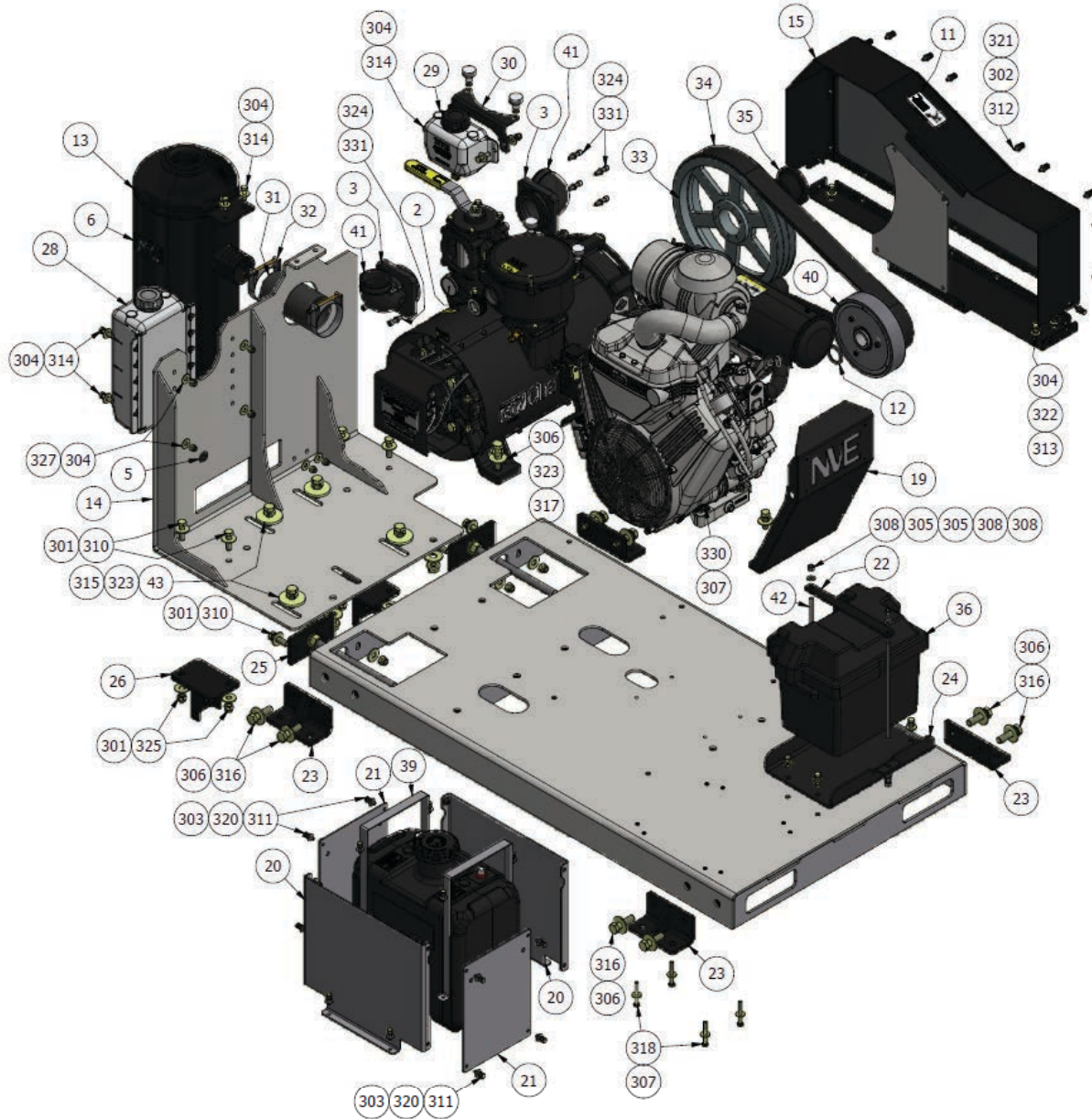


607 PRO Diesel Engine Drive | Parts List



ITEM	QTY	PART NUMBER	DESCRIPTION
1	1	100-607P-FS	CHALLENGER 607 PRO CCW FAN
2	1	120-006	KEY 3/8" X 3/8" X 2"
3	2	120-049-003	BUSHING BRASS 3/8" MNPT X 1/4" FNPT
4	1	120-063-367	FLANGE 4-WAY 3" NPT
5	1	120-064-001	O-RING, 2-154 VITON
6	1	120-064-016	O-RING, 2-342 VITON
7	2	120-078-005	GROMMET 0.5 I.D. 0.8125 G.D. 0.25 G.W.
8	1	212-100-3NPT-4	OCM 10" DIA X 25.1875" NPT W/ HB
9	1	280-355-368	FLANGE 3" ADJ ELBOW NARROW
10	1	280-460-027	FUEL TANK 22 GAL ALUM - W/ SENDER & SAFETY VENT
11	2	280-460-027-8	FUEL TANK STRAP 280-460-027
12	1	280-EDR-002	BATTERY HOLD DOWN
13	1	280-EDR-607-1	
14	4	280-EDR-607-3	607 EDR 1 MOUNTING FOOT ASSEMBLY
15	1	280-EDR-607-4 Pre	
16	1	280-EDR-607-5-1	
17	1	280-EDR-607-5-2	
18	1	280-EDR-607-5-3	
19	1	280-EDR-607-14	EDR BATTERY CRADLE
20	2	280-EDR-607-37	
21	1	288-100	DRAIN VALVE BRASS 1" IPS
22	1	310-LP4	HOSE BARB 1/4" NPT X 1/4" 90 DEG ELBOW BRASS
23	1	310-LP5	HOSE BARB 1/4" X 1/8" NPT STRAIGHT
24	2	310-LP16	HOSE BARB 5/16" X 1/4" MNPT 90 DEG ELBOW BRASS
25	1	320-082-001	OIL TANK, 5QT, W/LOGO
26	1	320-082-003Z	FLUSH TANK ASSY HDPE 1QT
27	1	320-083-009	OIL TANK FILTER, 100 MESH
28	1	320-083-010	FILTER FITTING, OIL TANK 1/4 NPT
29	1	320-409-004	P-CLIP .562 CLAMP DIA .406 HOLE DIA. GALV. VINYL
30	6	320-409-010	P-CLIP 3/4" MED DUTY VINYL LINED 0.531" HOLE
31	2	416-025-1WC	CLAMP, WORM, .250" dia
32	1	426-300-TAR-1150	HOSE 3"D X 11.5" L
33	2	426-3875-TBC	CLAMP, T-BOLT 3.875"
34	1	428-100-2C	NIPPLE, CLOSE, 1", BLK
35	1	428-100-E	STREET ELBOW 90 DEG. 1" NPT
36	1	430-100-006	PULLEY 4TB48 - 4.8"-USE P1 BUSHING
37	1	430-100-007	PULLEY 4B12.4 QD-SK BUSHING

ITEM	QTY	PART NUMBER	DESCRIPTION
38	1	430-200-049	BELT BX64 COG V-BELT
39	1	430-300-005	BUSHING P1 X 1.5"
40	1	430-300-006	BUSHING SK X 1.5" .375" KEYWAY
41	1	450-100-006	BATTERY BOX SMALL GROUP 24
42	4	450-100-030	CRIMPABLE SIDE TERMINAL - 4 GA - 0.375 STUD - UNI
43	1	460-200-014	ENGINE YANMAR 3 CYL 23.8 HP
44	1	803-063-015	POWDER COAT ELBOW (803-063-005 REPLACEMENT)
45	4	840-125-N-1	FUEL TANK STRAP LINER
46	2	860-010	THREADED ROD 3/8"-16 UNC X 11.00" SS
47	7	868-010	NUTSERT 3/8"-16 UNC 0.150-0.312" GRIP RANGE (CAH STYLE) STEEL
301	8	FW - 1/2	FLAT WASHER, 1/2
302	35	FW - 3/8	FLAT WASHER, 3/8
303	8	FW - 3_4 USS	FLAT WASHER - 3/4 USS
304	30	FW - 5/8	FLAT WAHSER, 5/8
305	6	FW - 5/16	FLAT WASHER, 5/16
306	7	HEX NUT - 3/8 UNC	HEX NUT - 3/8 UNC
307	4	HHCS - 1/2-13 UNC X 1.75	HEX HEAD CAP SCREW - 1/2-13 UNC X 1.75
308	15	HHCS - 3/8-16 UNC X 1.00	HEX HEAD CAP SCREW - 3/8-16 UNC X 1.00
309	4	HHCS - 3/8-16 UNC X 1.50	HEX HEAD CAP SCREW - 3/8-16 UNC X 1.50
310	4	HHCS - 3/8-16 UNC X 1.75	HEX HEAD CAP SCREW - 3/8-16 UNC X 1.75
311	6	HHCS - 5/8-11 UNC X 1.75	HEX HEAD CAP SCREW - 5/8-11 UNC x 1.75
312	4	HHCS - 5/8-11 UNC X 2.50	HEX HEAD CAP SCREW - 5/8-11 UNC X 2.50
313	10	HHCS - 5/16-18 UNC X 1.25	HEX HEAD CAP SCREW - 5/16-18 UNC X 1.25
314	4	HHCS - 5/16-18 UNC X 1.50	HEX HEAD CAP SCREW - 5/16-18 UNC X 1.50
315	8	HHCS - 5_8-11 UNC X 2.00	HEX HEAD CAP SCREW 5/8"-11 UNC X 2.00"
316	15	LW - 3/8	LOCK WASHER, 3/8
317	6	LW - 5/8	LOCK WASHER, 5/8
318	14	LW - 5/16	LOCK WASHER, 5/16
319	4	NYLOCK NUT - 1/2 UNC	NYLOCK NUT - 1/2 UNC
320	4	NYLOCK NUT - 3/4 UNC	NYLOCK NUT - 3/4 UNC
321	10	NYLOCK NUT - 3/8 UNC	NYLOCK NUT - 3/8 UNC
322	12	NYLOCK NUT - 5/8 UNC	NYLOCK NUT - 5/8 UNC
323	6	NYLOCK NUT - 5/16 UNC	NYLOCK NUT - 5/16 UNC



607 PRO Gas Engine Drive | Parts List



ITEM	QTY	PART NUMBER	DESCRIPTION
1	1	100-607P-FS	CHALLENGER 607 PRO CCW FAN
2	1	120-047-003	PLUG HEX COUNTERSUNK 1.50" NPT ZINC PLATED
3	2	120-063-007	FLANGE ELBOW ALUM 3"
4	2	120-064-016	O-RING, 2-342 VITON
5	1	120-078-005	GROMMET 0.5 I.D. 0.8125 G.D. 0.25 G.W.
6	1	120-100-001	DECAL, NVE, MUFFLER PAK
7	1	120-100-011	DECAL DRAIN DAILY - YELLOW
8	1	120-100-012	DECAL CLEAN FILTER REGULARY YELLOW
9	1	120-100-015	DECAL HOT
10	1	120-100-017	DECAL FLUSHING FLUID - 1 QT TANK
11	1	120-101-012	DECAL DRIVES WITHOUT GUARDS WARNING
12	1	126-016-001	SPACER, CLUTCH - 607 ENGINE DRIVE W/ PRESS.
13	1	212-100-3NPT-4	PUMP
14	1	280-355-300	OCM 10" DIA X 17.5" NPT W/ HB
15	1	280-355-301	607 POWER PAK PUMP SLED ASSY
16	1	280-355-301-5 SHORT	BELT GUARD ASSY - 607 POWER PAK
17	1	BELT	
19	1	280-355-302	FRAME FOR 607 PRO FAN COOLED CW WITH 37 HP
20	2	280-355-315	VANGUARD ENGINE
21	2	280-355-343-1	ENGINE GUARD, FAB - 607 POWERPAK
22	1	280-355-343-2	GUARD PLATE, FUEL TANK, 7 GAL, PLASTIC
23	4	280-EDR-002	GUARD PLATE COVER, FUEL TANK, 7 GAL, PLASTIC
24	1	280-EDR-607-3	BATTERY HOLD DOWN
25	2	280-EDR-607-14	607 EDR 1 MOUNTING FOOT ASSEMBLY
26	2	280-EDR-607-19	EDR BATTERY CRADLE
27	2	280-EDR-607-20	EDR PUMP SLED DRIVER ASSY
28	1	310-LP4	EDR PUMP SLED DRIVER HOUSING ASSY
29	1	320-082-001	HOSE BARB 1/4" NPT X 1/4" 90 DEG ELBOW BRASS
30	1	320-082-003Z	OIL TANK, 5QT, W/LOGO
31	1	320-083-006	FLUSH TANK ASSY HDPE 1QT
32	2	426-300-TAR-0600	BRACKET FLUID FLUSH POWDERCOAT
33	1	426-3875-TBC	HOSE 3"D X 6"L
34	1	430-100-048	CLAMP, T-BOLT 3.875"
35	1	430-200-037	DRIVEN SHEAVE - 13.63" DIA 3B-GROOVE
36	1	430-300-006	3B66 COG V-BELT - BANDED
37	1	450-100-006	BUSHING SK X 1.5" .375" KEYWAY

ITEM	QTY	PART NUMBER	DESCRIPTION
38	1	460-200-023	BATTERY BOX SMALL GROUP 24
39	1	460-200-023-1	ENGINE BRIGGS & STRATTON 2 CYL 37 HP EFI 50 AMP
40	1	460-200-108	MUFFLER 37HP VANGUARD
41	2	460-400-002	FUEL TANK, 7 GAL, PLASTIC
42	2	802-063-005	CLUTCH, CENTRIFUGAL, SOFT START
43	5	860-010	ELBOW, 3" STE CAST
44	19	860-033	THREADED ROD 3/8"-16 UNC X 11.00" SS
45	1	868-001	OVERSIZED WASHER, 5/8" Z/P
301	18	FW - 1/2	FLAT WASHER, 1/2
302	19	FW - 1_4	FLAT WASHER - 1/4"
303	24	FW - 1_4 USS	FLAT WASHER - 1/4" USS
304	29	FW - 3/8	*Varies*
305	5	FW - 3/8 SS	FLAT WASHER, 3/8 SS
306	16	FW - 5/8	FLAT WAHSER, 5/8
307	8	FW - 5/16	FLAT WASHER, 5/16
308	6	HEX NUT - 3_8 UNC SS	HEX NUT - 3_8 UNC SS
309	2	HHCS - 1/2-13 UNC X 1.50	HEX HEAD CAP SCREW - 1/2-13 UNC X 1.50
310	8	HHCS - 1/2-13 UNC X 1.75	HEX HEAD CAP SCREW - 1/2-13 UNC X 2.00
311	16	HHCS - 1_4-20 UNC X 1.00	HEX HEAD CAP SCREW - 1/4-20 UNC X 1.00
312	19	HHCS - 1_4-20 UNC X 1.00 SS	HEX HEAD CAP SCREW - 1_4-20 UNC X 1.00 SS
313	9	HHCS - 3/8-16 UNC X 1.00	HEX HEAD CAP SCREW - 3/8-16 UNC X 1.00
314	10	HHCS - 3/8-16 UNC X 1.25	HEX HEAD CAP SCREW - 3/8-16 UNC X 1.25
315	5	HHCS - 5/8-11 UNC X 1.75	HEX HEAD CAP SCREW - 5/8-11 UNC x 1.75
316	8	HHCS - 5/8-11 UNC X 2.25	HEX HEAD CAP SCREW - 5/8-11 UNC X 2.25
317	4	HHCS - 5/8-11 UNC X 2.50	HEX HEAD CAP SCREW - 5/8-11 UNC X 2.50
318	4	HHCS - 5_16-18 UNC X 3.75	HEX HEAD CAP SCREW - 5/16-18 UNC X 3.75
319	2	LW - 1/2	LOCK WASHER, 1/2
320	16	LW - 1/4	LOCK WASHER, 1/4
321	19	LW - 1_4 SS	LOCK WASHER, 1/4"
322	9	LW - 3/8	LOCK WASHER, 3/8
323	9	LW - 5/8	LOCK WASHER, 5/8
324	8	LW - 5/16	LOCK WASHER, 5/16
325	8	NYLOCK NUT - 1/2 UNC	NYLOCK NUT - 1/2 UNC
326	8	NYLOCK NUT - 1/4 UNC	NYLOCK NUT - 1/4 UNC
327	10	NYLOCK NUT - 3/8 UNC	NYLOCK NUT - 3/8 UNC
328	1	NYLOCK NUT - 3/8 UNC SS	NYLOCK NUT - 3/8 UNC SS
329	4	NYLOCK NUT - 5/8 UNC	NYLOCK NUT - 5/8 UNC
330	4	NYLOCK NUT - 5/16 UNC	NYLOCK NUT - 5/16 UNC
331	8	SHCS - 5/16-18 UNC X 1.25	SOCKET HEAD CAP SCREW - 5/16-18 UNC X 1.25

**DESIGNED.
BUILT.
SUPPORTED.**

Produced in the USA | Distributed World-Wide

Revised 6/2025

800-253-5500 | natvac.com

2707 Aero Park Dr. | Traverse City, MI 49685

NVE

National Vacuum Equipment

■ Part of Atlas Copco Group

Challenger **Series**
VACUUM PUMPS & BLOWERS