



# NVE

National Vacuum Equipment  
■ Part of Atlas Copco Group

# 4310 PRO

## HEAVY DUTY VACUUM BLOWER

### PRODUCT CATALOG



# Challenger Series

DESIGNED, BUILT & SUPPORTED IN THE USA

800-253-5500  
[www.natvac.com](http://www.natvac.com)

## TABLE OF CONTENTS

- PART NUMBER REFERENCE GUIDE ..... 3
- 4310 PRO HELICAL TRI-LOBE PRODUCT FEATURES ..... 4
- BARE BLOWER SPECIFICATIONS ..... 5
- 4310 PRO PACKAGES**
- OPEN PRO PAK ..... 6
  - GEARBOX DRIVE
  - HYDRAULIC DRIVE
- PRO PAK ..... 8
  - GEARBOX DRIVE
  - HYDRAULIC DRIVE
- SILENCER PRO PAK ..... 10
  - GEARBOX DRIVE
  - HYDRAULIC DRIVE
- MOISTURE TRAP PRO PAK ..... 12
  - GEARBOX DRIVE
  - HYDRAULIC DRIVE
- MAX PRO PAK ..... 14
  - GEARBOX DRIVE
  - HYDRAULIC DRIVE
- BELT DRIVE PRO PAK ..... 16
- TOP MOUNT PRO PAK ..... 17
- BELLY MOUNT PRO PAK ..... 18
- EDR/EDX - DIESEL ENGINE BELT DRIVE ..... 19
- COMPONENTS & ACCESSORIES ..... 20



National Vacuum Equipment  
 ■ Part of Atlas Copco Group

800-253-5500 | sales@natvac.com  
 2707 Aero Park Dr. | Traverse City, MI 49686

WARRANTY  
REGISTRATION



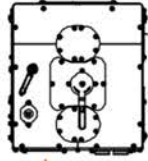
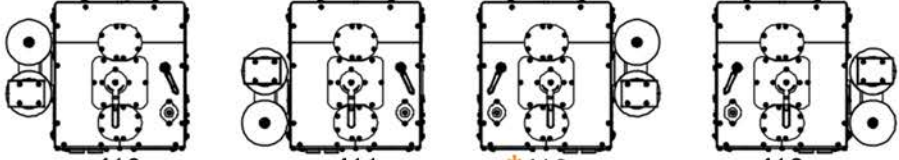
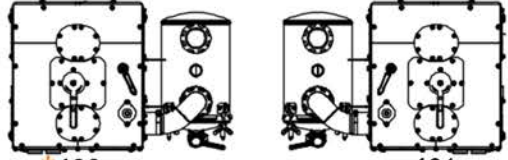
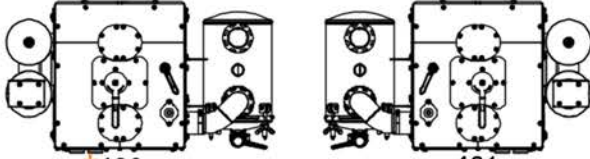
PRODUCT  
INFORMATION



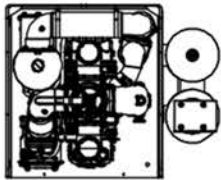
CONDITION  
OF SALES



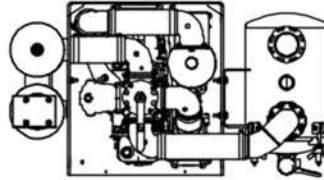
## PART NUMBER REFERENCE

<p><b>400 SERIES</b> PRO PAK</p>	 <p>*400 (LD   LS   HD   HS)</p>
<p><b>410 SERIES</b> SILENCER PRO PAK</p>	 <p>410 (LS/HD)      411 (LD/LS/HD/HS)      *412 (LD/HS)      413 (LD/LS/HD/HS)</p>
<p><b>420 SERIES</b> MOISTURE TRAP PRO PAK</p>	 <p>*420 (LD/LS/HD/HS)      421 (LD/LS/HD/HS)</p>
<p><b>430 SERIES</b> MAX PRO PAK</p>	 <p>*430 (LS/HD)      431 (LD/HS)</p>

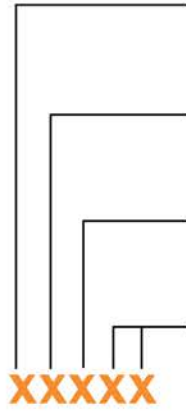
\* STOCK PACKAGE CONFIGURATION



147-4310HP-312-XXXXX  
(300 SERIES - OPEN)



147-4310HP-330-XXXXX  
(330 SERIES - OPEN)



**BLOWER SHAFT**

L = LOW SHAFT  
H = HIGH SHAFT

**SHAFT ROTATION**

D = CW  
S = CCW

**DRIVE SYSTEM**

G = GEARBOX  
H = HYDRAULIC

**ACCESSORIES**

A = ACTUATOR  
V = VACUUM BREAK

**147 - 4310HP - 4XX/3XX - XXXXX**

(BLOWER MODEL)

(COMPONENT CONFIGURATION)  
(ENCLOSED 4XX / OPEN 3XX)

**EXAMPLES:**

147-4310HP-412-LDGA

(4310HP ENCLOSED, SILENCER FRAME RIGHT, LOW SHAFT, CW, GEARBOX, ACTUATOR)

147-4310HP-312-LDG

(4310HP OPEN, SILENCER FRAME RIGHT, LOW SHAFT, CW, GEARBOX)

# 4310 PRO

## Helical Tri-Lobe Blower

### PRODUCT FEATURES



INTERACTIVE VIDEO



### FEATURES

- Continuous duty performance at maximum vacuum
- Oil-less operation
- Range of airflow - performance available to accommodate power
- Helical tri-lobe rotors engineered to increase efficiency, lower pulsations, and reduce noise
- Vacuum and pressure change over valve
- Adjustable 4" elbows with hose barsbs for intake and exhaust ports
- Ballast Port manifold - cools blower through air injection
- Built-in ballast check valve
- Oil level inspection sight eyes
- Improved, longer lasting final filter
- Improved Serviceability
  - End plate design
  - Flushing ports and drain plugs
  - Carrier for sump seal



#### 4310 PRO CHALLENGER BLOWER | SPECIFICATIONS

Air Flow - Free Air	940 CFM at 4500 RPM	
*Full Vacuum	-	
Maximum Intermittent Pressure	15 PSI	
*Operating Speed - Recommended	4000 RPM	4500 RPM
HP Required @ 27" Hg	51.4	58
HP Required @ 10 psi	39.7	44
HP Required @ 15 PSI	65.5	-
Porting Size	4"	
Shaft Size (3/8" Key)	1 1/2"	
Approximate Weight	456 lbs	

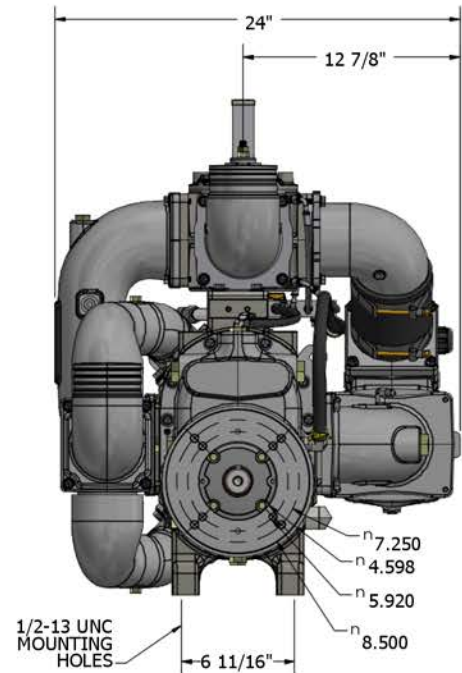
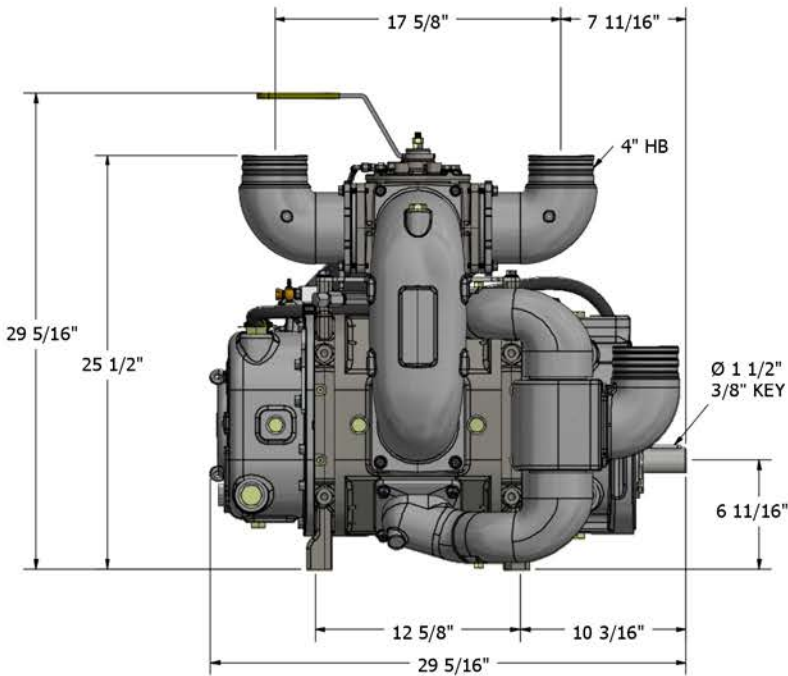
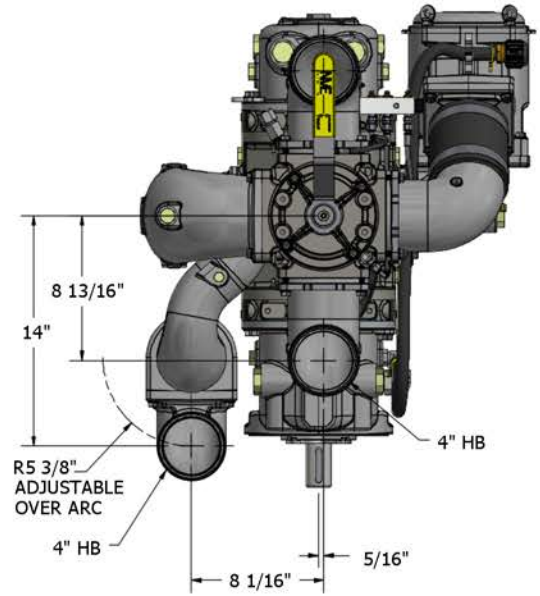
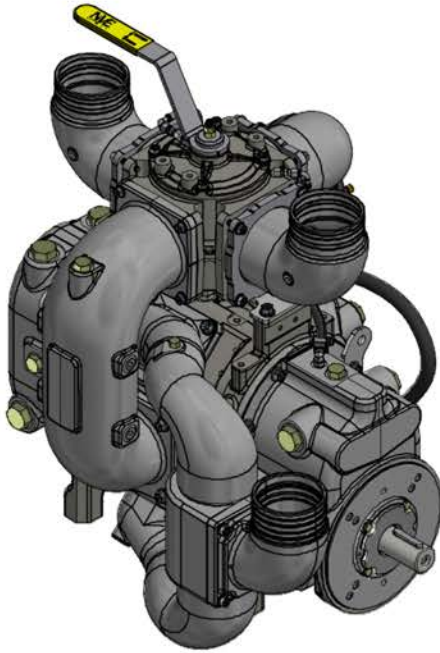
DESIGNED, BUILT & SUPPORTED IN THE USA

*\*The maximum allowable operating vacuum will vary depending on R.P.M., ambient temperature, altitude and time running. The basic principle to keep in mind is - faster R.P.M., higher air temperature and longer run time all equal more heat in blower. When installing a 4310 PRO blower we recommend a normal R.P.M. of 4000. Other speeds are OK as long as exhaust gas temperatures read on the supplied thermometer do not exceed 380 degrees F. Maximum of 4500 R.P.M is for intermittent use only. Weights & Measurements are for reference only. Prices subject to change at any time.*

# 4310 PRO BARE BLOWER

DESIGNED, BUILT & SUPPORTED IN THE USA

# Challenger Series



## PRODUCT DESCRIPTION | 4310 PRO BARE BLOWER

CHALLENGER 4310 PRO BLOWER AND BALLAST - CW

## PART NUMBER

131-4310HP-LDB

## WEIGHT

375 LBS

CHALLENGER 4310 PRO BLOWER AND BALLAST - CCW

131-4310HP-LSB

375 LBS

CHALLENGER 4310 PRO BLOWER WITH MANIFOLD AND BALLAST - CW (PICTURED)

131-4310HP-LDM

450 LBS

CHALLENGER 4310 PRO BLOWER WITH MANIFOLD AND BALLAST - CCW

131-4310HP-LSM

450 LBS

\*The maximum allowable operating vacuum will vary depending on R.P.M., ambient temperature, altitude and time running. The basic principle to keep in mind is - faster R.P.M., higher air temperature and longer run time all equal more heat in blower. When installing a 4310 PRO blower we recommend a normal R.P.M. of 4000. Other speeds are OK as long as exhaust gas temperatures read on the supplied thermometer do not exceed 380 degrees F. Maximum of 4500 R.P.M is for intermittent use only. Weights & Measurements are for reference only. Prices subject to change at any time.

# 4310 PRO PACKAGES

## OPEN PRO PAK | GEARBOX DRIVE

DESIGNED, BUILT & SUPPORTED IN THE USA

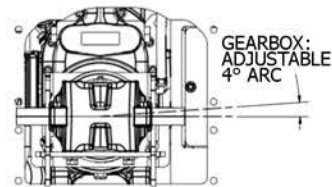
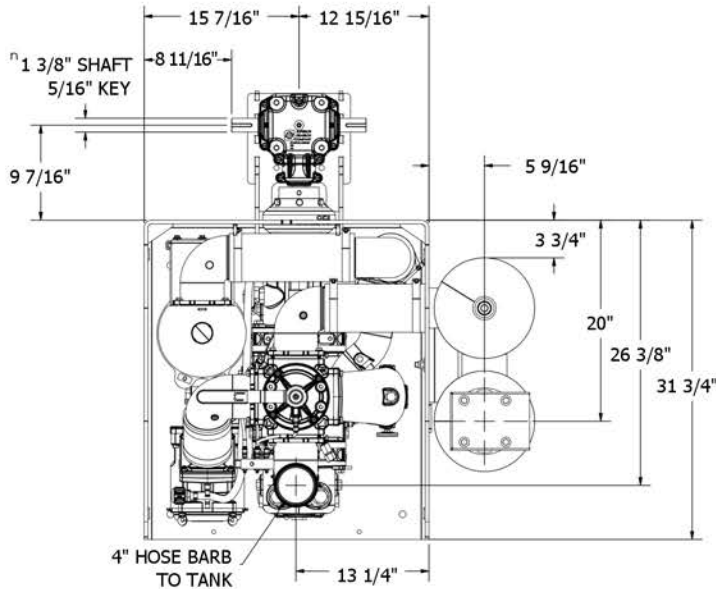
# Challenger Series

### Features

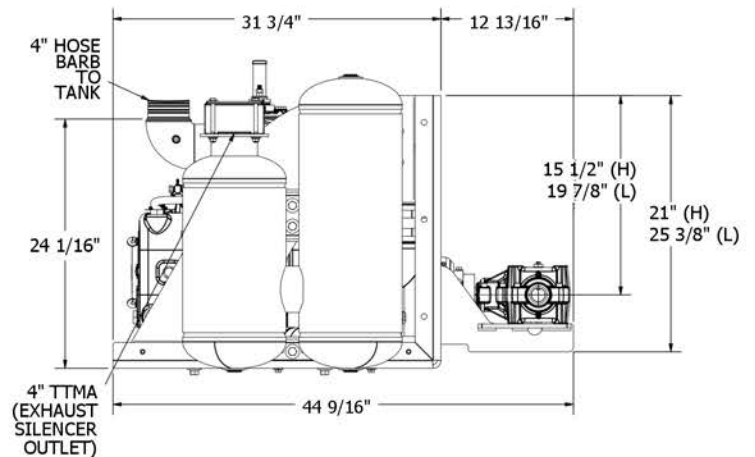
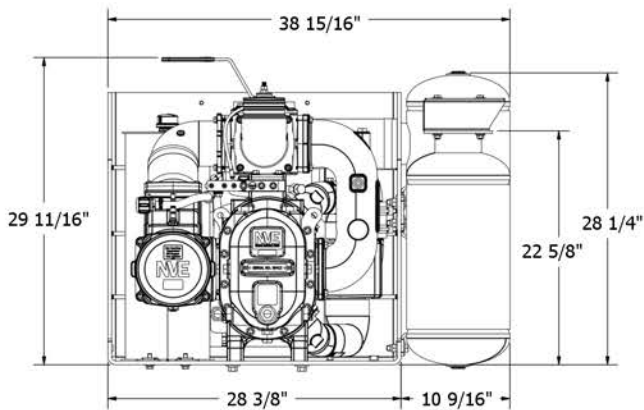
- Frame Mount
- 500 series 1:2 ratio gearbox
- Optional: Silencers (pictured) and/or Moisture Trap
- 3/8" powder coat painted frame
- Easily accessible service points
- Blower flush kit
- Enhanced ballast and exhaust silencing for quieter operation
- Ballast check valve for pressure operation
- L 44 9/16" W 38 15/16" H 29 11/16"



\*ALSO AVAILABLE IN  
MAX PRO PAK



BLOWER IS  
AVAILABLE WITH  
PNEUMATIC  
ACTUATOR



(H) HIGH SHAFT GEARBOX / (L) LOW SHAFT GEARBOX

### PRODUCT DESCRIPTION

4310 PRO FRAME MOUNT, LOW SHAFT, GEARBOX DR, OPEN, SILENCER FRAME RIGHT

### PART NUMBER

147-4310HP-312-LDG

### WEIGHT

945 LBS

# 4310 PRO PACKAGES

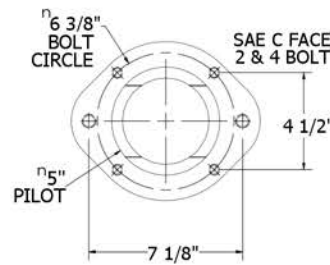
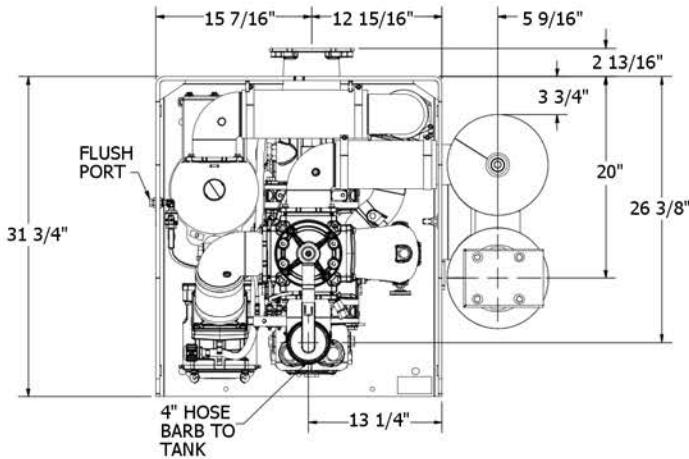
## OPEN PRO PAK | HYDRAULIC ADAPTER

DESIGNED, BUILT & SUPPORTED IN THE USA

# Challenger Series

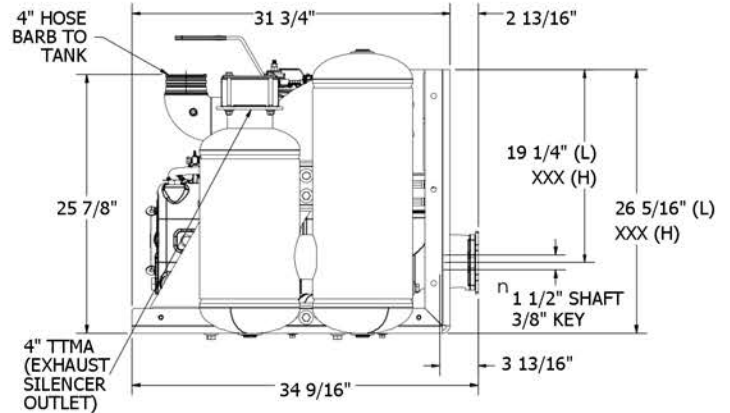
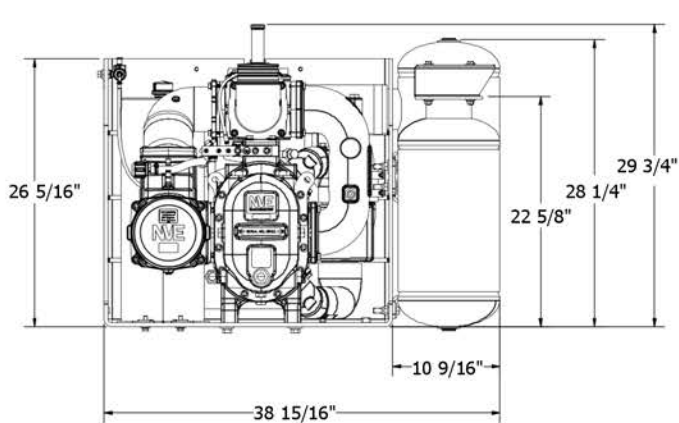
### Features

- Frame Mount
- SAE C face hydraulic adapter
- Hydraulic motor not included
- Optional: Silencers (pictured) and Moisture Trap
- 3/8" powder coat painted frame
- Easily accessible service points
- Enhanced ballast and exhaust silencing for quieter operation
- Ballast check valve for pressure operation
- Blower flush kit
- L 34 9/16" W 38 15/16" H 29 3/4"



\*ALSO AVAILABLE IN  
MAX PRO PAK

BLOWER IS  
AVAILABLE WITH  
PNEUMATIC  
ACTUATOR



### PRODUCT DESCRIPTION

4310 PRO FRAME MOUNT, LOW SHAFT, HYD DR, OPEN, SILENCER FRAME RIGHT

### PART NUMBER

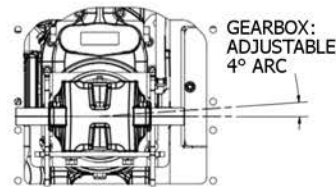
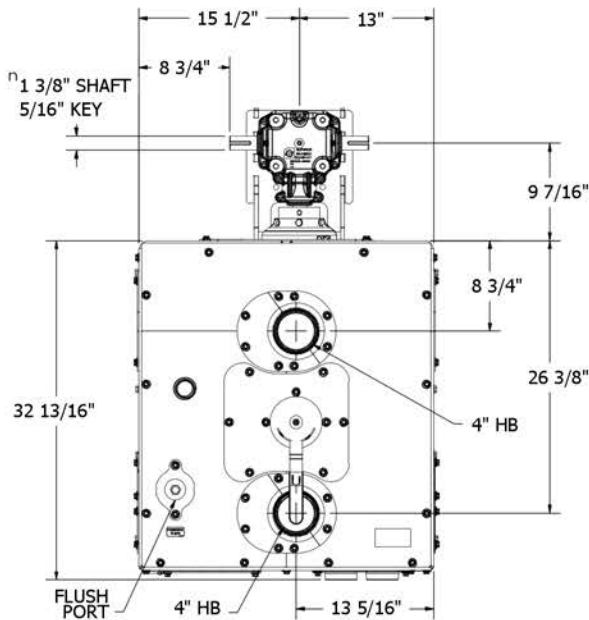
147-4310HP-312-LDH

### WEIGHT

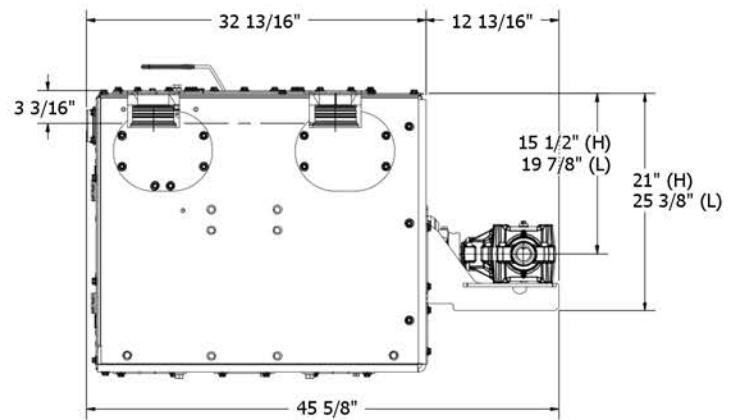
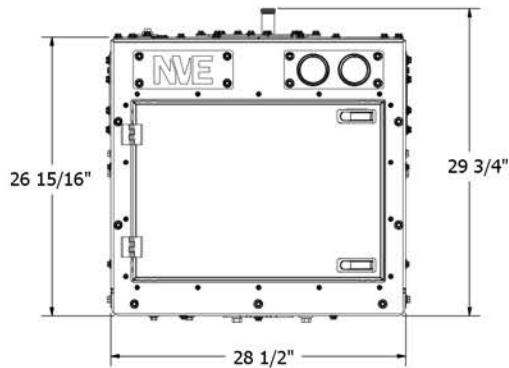
900 LBS

**Features**

- Frame Mount
- 500 series 1:2 ratio gearbox
- Improved mounting accessibility
- 3/8" powder coat painted frame
- Stainless steel cabinet with larger door
- Easily accessible service points
- Enhanced ballast silencing for quieter operation
- Ballast check valve for pressure operation
- Blower flush kit
- L 45 5/8" W 28 1/2" H 29 3/4"



**BLOWER IS AVAILABLE WITH PNEUMATIC ACTUATOR**



(H) HIGH SHAFT GEARBOX / (L) LOW SHAFT GEARBOX

DESCRIPTION	PART NUMBER	WEIGHT
4310 PRO FRAME MOUNT, HIGH SHAFT, GEARBOX DR, ENCLOSED (PICTURED)	147-4310HP-400-HSG	960 LBS
4310 PRO FRAME MOUNT, HIGH SHAFT, GEARBOX DR, ENCLOSED, W/ ACTUATOR	147-4310HP-400-HSGA	990 LBS
4310 PRO FRAME MOUNT, LOW SHAFT, GEARBOX DR, ENCLOSED	147-4310HP-400-LDG	960 LBS
4310 PRO FRAME MOUNT, LOW SHAFT, GEARBOX DR, ENCLOSED, W/ ACTUATOR	147-4310HP-400-LDGA	990 LBS
4310 PRO FRAME MOUNT, LOW SHAFT, GEARBOX DR, ENCLOSED, VAC	147-4310HP-400-LDGV	960 LBS
4310 PRO FRAME MOUNT, HIGH SHAFT, GEARBOX DR, ENCL, VAC	147-4310HP-400-HSGV	960 LBS

# 4310 PRO PACKAGES

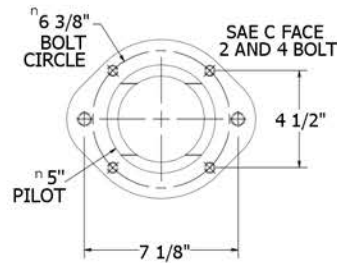
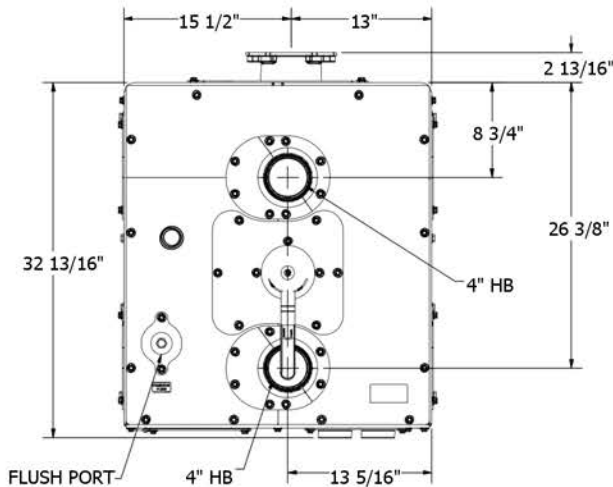
## PRO PAK | HYDRAULIC ADAPTER

DESIGNED, BUILT & SUPPORTED IN THE USA

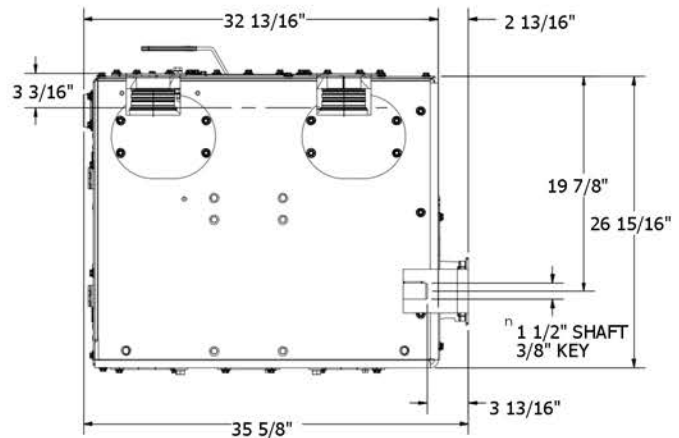
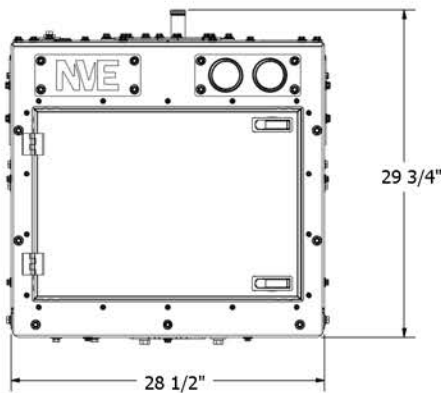
# Challenger Series

### Features

- Frame Mount
- SAE C face hydraulic adapter
- Hydraulic motor not included
- Improved mounting accessibility
- 3/8" powder coat painted frame
- Stainless steel cabinet with larger door
- Easily accessible service points
- Enhanced ballast silencing for quieter operation
- Ballast check valve for pressure operation
- Blower flush kit
- L 35 5/8" W 28 1/2" H 29 3/4"



BLOWER IS AVAILABLE WITH PNEUMATIC ACTUATOR



DESCRIPTION	PART NUMBER	WEIGHT
4310 PRO FRAME MOUNT, LOW SHAFT, HYD DR, ENCLOSED (PICTURED)	147-4310HP-400-LDH	915 LBS
4310 PRO FRAME MOUNT, LOW SHAFT, HYD DR, ENCLOSED, W/ ACTUATOR	147-4310HP-400-LDHA	950 LBS

# 4310 PRO PACKAGES

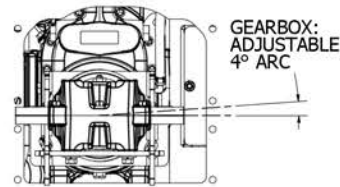
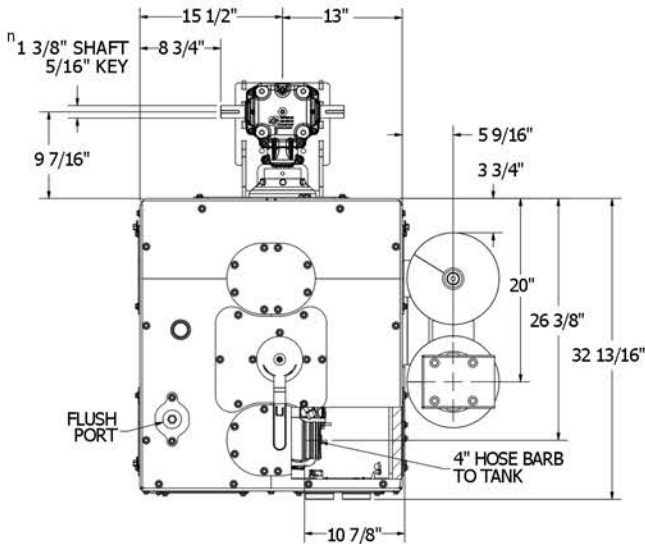
## SILENCER PRO PAK | GEARBOX DRIVE

DESIGNED, BUILT & SUPPORTED IN THE USA

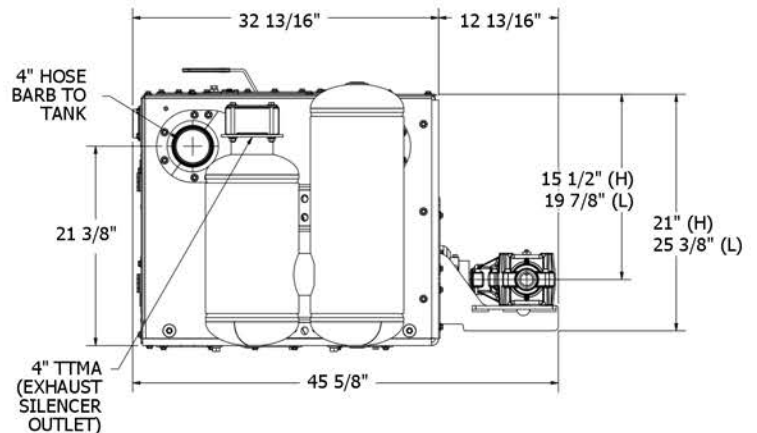
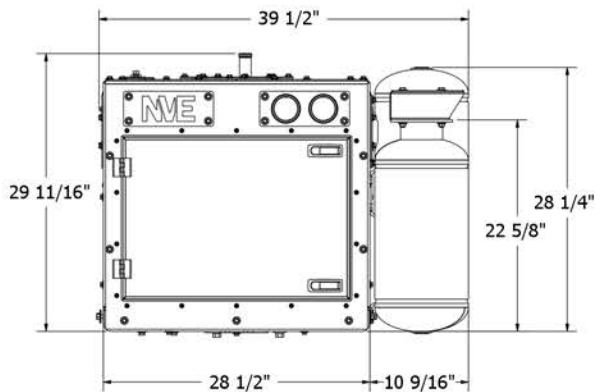
# Challenger Series

### Features

- Frame Mount
- 500 series 1:2 ratio gearbox
- Improved mounting accessibility
- 3/8" powder coat painted frame
- Stainless steel cabinet with larger door
- Easily accessible service points
- Enhanced ballast and exhaust silencing for quieter operation
- Ballast check valve for pressure operation
- Blower flush kit
- L 45 5/8" W 39 1/2" H 29 11/16"



BLOWER IS AVAILABLE WITH PNEUMATIC ACTUATOR

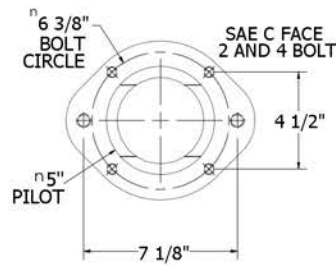
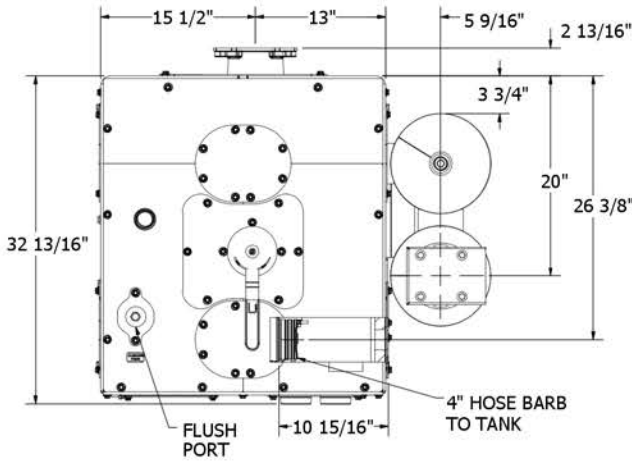


(H) HIGH SHAFT GEARBOX / (L) LOW SHAFT GEARBOX

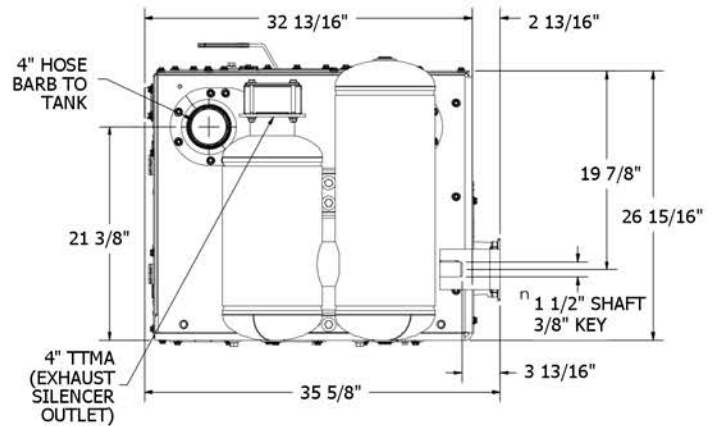
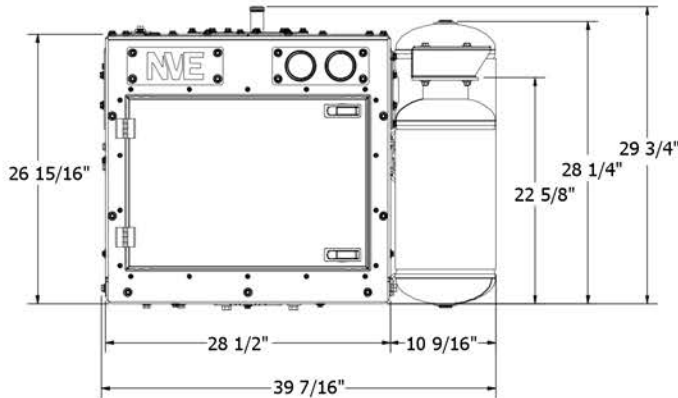
PRODUCT DESCRIPTION	PART NUMBER	WEIGHT
4310 PRO FRAME MOUNT, HIGH SHAFT, GEARBOX DR, ENCL, SILENCER FRAME LEFT	147-4310HP-410-HDG	1070 LBS
4310 PRO FRAME MOUNT, HIGH SHAFT, GEARBOX DR, ENCL, SILENCER FRAME LEFT, W/ ACUATOR	147-4310HP-410-HDGA	1100 LBS
4310 PRO FRAME MOUNT, LOW SHAFT, GEARBOX DR, ENCL, SILENCER FRAME LEFT	147-4310HP-410-LSG	1070 LBS
4310 PRO FRAME MOUNT, LOW SHAFT, GEARBOX DR, ENCL, SILENCER FRAME LEFT, W/ ACTUATOR	147-4310HP-410-LSGA	1100 LBS
4310 PRO FRAME MOUNT, HIGH SHAFT, GEARBOX DR, ENCL, SILENCER FRAME RIGHT	147-4310HP-412-HSG	1070 LBS
4310 PRO FRAME MOUNT, HIGH SHAFT, GEARBOX DR, ENCL, SILENCER FRAME RIGHT, W/ ACTUATOR	147-4310HP-412-HSGA	1100 LBS
4310 PRO FRAME MOUNT, LOW SHAFT, GEARBOX DR, ENCL, SILENCER FRAME RIGHT (PICTURED)	147-4310HP-412-LDG	1070 LBS
4310 PRO FRAME MOUNT, LOW SHAFT, GEARBOX DR, ENCL, SILENCER FRAME RIGHT, W/ ACTUATOR	147-4310HP-412-LDGA	1100 LBS

**Features**

- Frame Mount
- SAE C face hydraulic adapter
- Hydraulic motor not included
- Improved mounting accessibility
- 3/8" powder coat painted frame
- Stainless steel cabinet with larger door
- Easily accessible service points
- Enhanced ballast and exhaust silencing for quieter operation
- Ballast check valve for pressure operation
- Blower flush kit
- L 35 5/8" W 39 7/16" H 29 3/4"



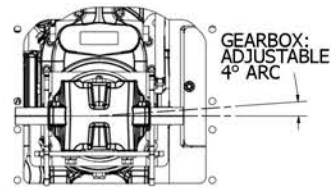
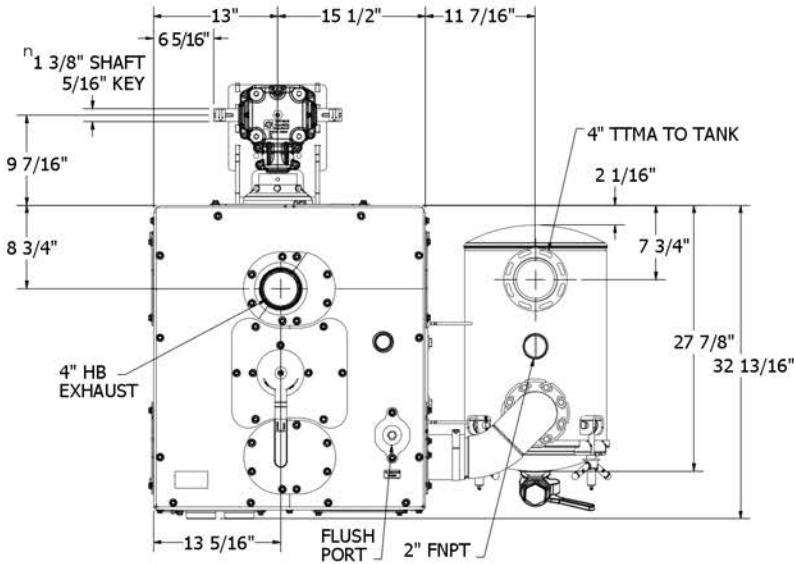
**BLOWER IS AVAILABLE WITH PNEUMATIC ACTUATOR**



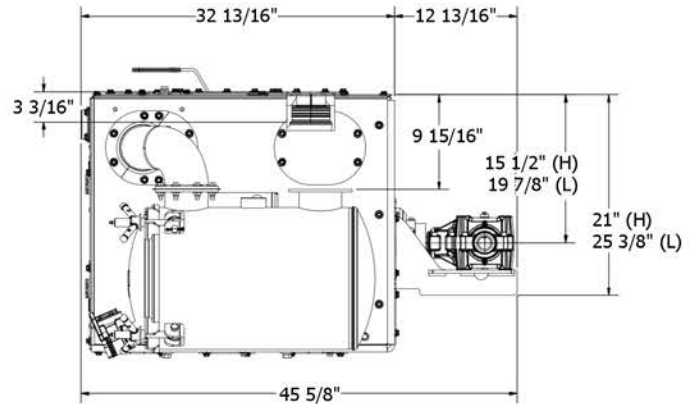
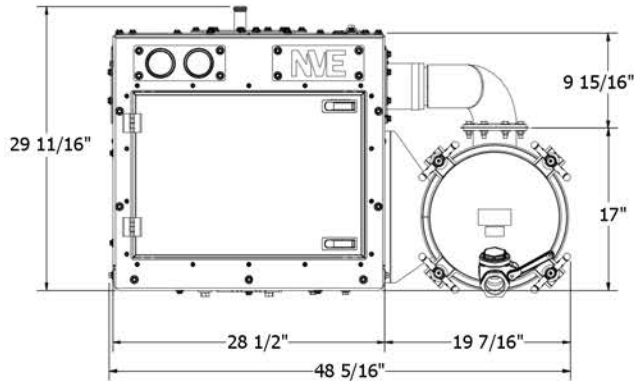
PRODUCT DESCRIPTION	PART NUMBER	WEIGHT
4310 PRO FRAME MOUNT, LOW SHAFT, HYD DR, ENCL, SILENCER FRAME RIGHT (PICTURED)	147-4310HP-412-LDH	1025 LBS
4310 PRO FRAME MOUNT, LOW SHAFT, HYD DR, ENCL, SILENCER FRAME RIGHT, W/ ACTUATOR	147-4310HP-412-LDHA	1050 LBS

**Features**

- Frame Mount with Horizontal Moisture Trap
- 500 series 1:2 ratio gearbox
- Improved mounting accessibility
- 3/8" powder coat painted frame
- Stainless steel cabinet with larger door
- Easily accessible service points
- Enhanced Ballast silencing for quieter operation
- Ballast check valve for pressure operation
- Blower flush kit
- **L 45 5/8" W 48 5/16" H 29 11/16"**



**BLOWER IS AVAILABLE WITH PNEUMATIC ACTUATOR**

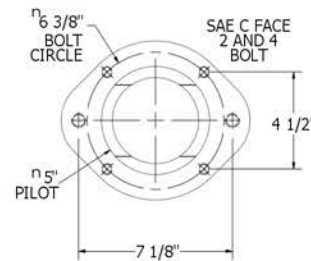
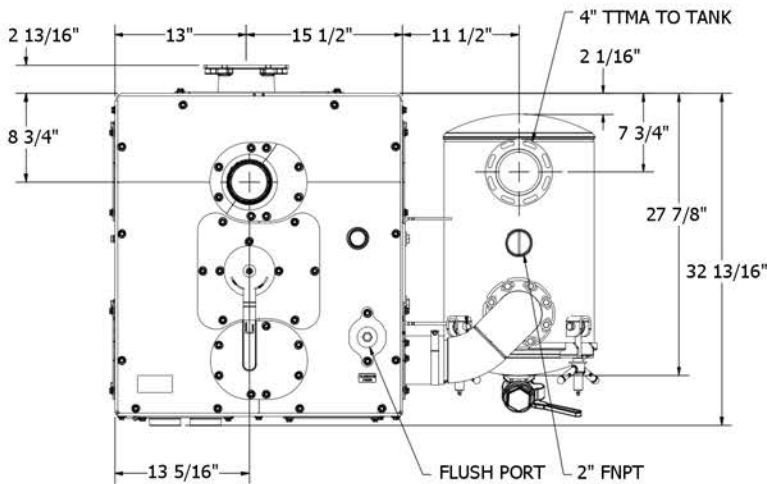


(H) HIGH SHAFT GEARBOX / (L) LOW SHAFT GEARBOX

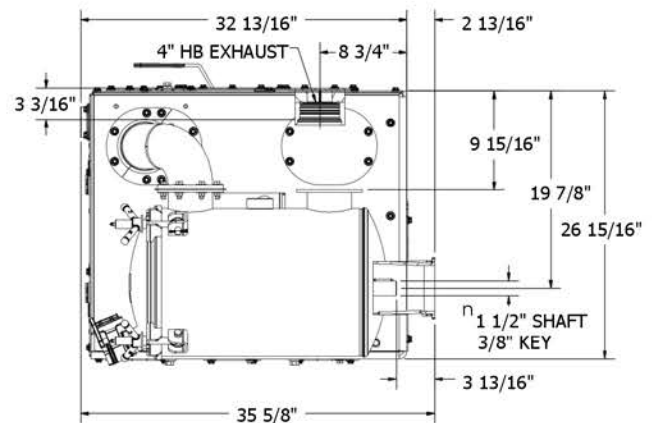
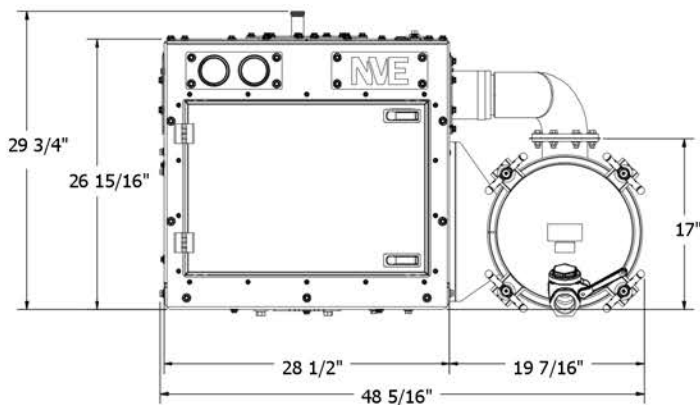
PRODUCT DESCRIPTION	PART NUMBER	WEIGHT
4310 PRO FRAME MOUNT, HIGH SHAFT, GEARBOX DR, ENCL, TRAP RIGHT	147-4310HP-420-HDG	1120 LBS
4310 PRO FRAME MOUNT, LOW SHAFT, GEARBOX DR, ENCL, TRAP RIGHT (PICTURED)	147-4310HP-420-LSG	1120 LBS
4310 PRO FRAME MOUNT, LOW SHAFT, GEARBOX DR, ENCL, TRAP RIGHT, W/ ACTUATOR	147-4310HP-420-LSGA	1150 LBS
4310 PRO FRAME MOUNT, LOW SHAFT, GEARBOX DR, ENCL, TRAP LEFT	147-4310HP-421-LDG	1120 LBS
4310 PRO FRAME MOUNT, LOW SHAFT, GEARBOX DR, ENCL, TRAP LEFT, W/ ACTUATOR	147-4310HP-421-LDGA	1150 LBS

**Features**

- Frame Mount with Horizontal Moisture Trap
- SAE C face hydraulic adapter
- Hydraulic motor not included
- Improved mounting accessibility
- 3/8" powder coat painted frame
- Stainless steel cabinet with larger door
- Easily accessible service points
- Ballast check valve for pressure operation
- Enhanced Ballast Silencing for quieter operation
- Blower flush kit
- L 35 5/8" W 48 5/16" H 29 3/4"



**BLOWER IS AVAILABLE WITH PNEUMATIC ACTUATOR**



**PRODUCT DESCRIPTION**

4310 PRO FRAME MOUNT, LOW SHAFT, GEARBOX DR, ENCL, TRAP RIGHT

4310 PRO FRAME MOUNT, LOW SHAFT, GEARBOX DR, ENCL, TRAP RIGHT W/ ACTUATOR

**PART NUMBER**

147-4310HP-420-LSH

147-4310HP-420-LSHA

**WEIGHT**

1070 LBS

1100 LBS

# 4310 PRO PACKAGES

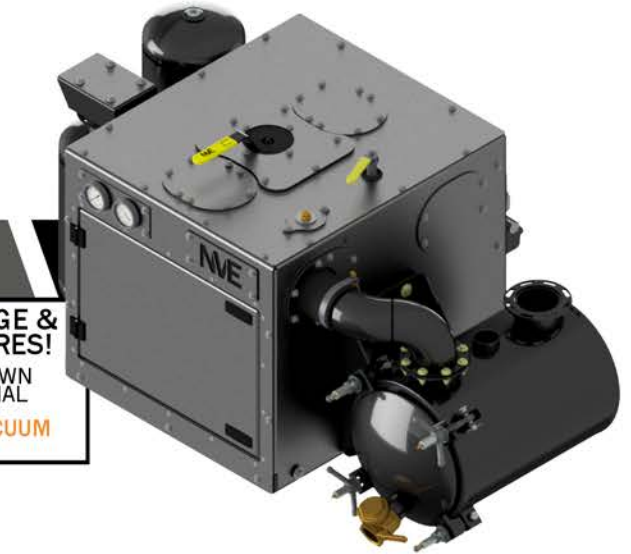
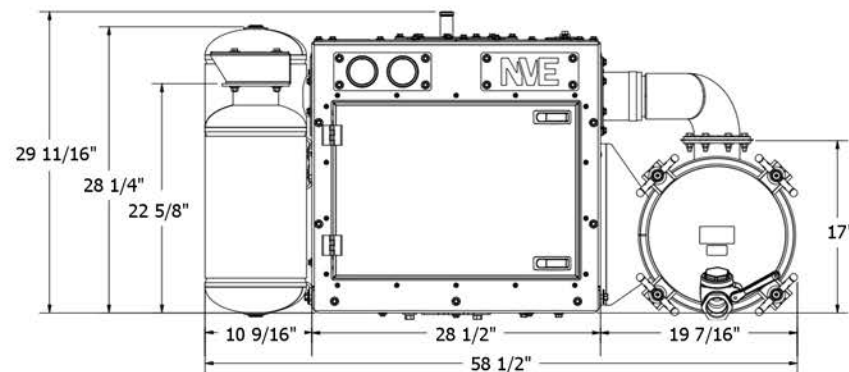
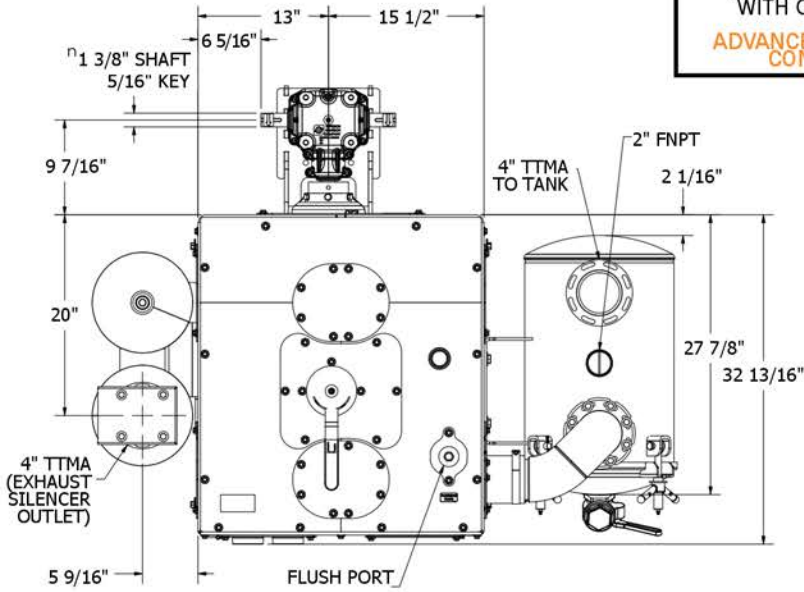
## MAX PRO PAK | GEARBOX DRIVE

DESIGNED, BUILT & SUPPORTED IN THE USA

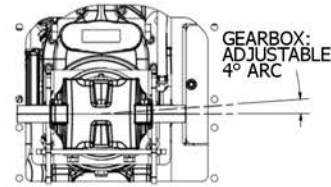
# Challenger Series

### Features

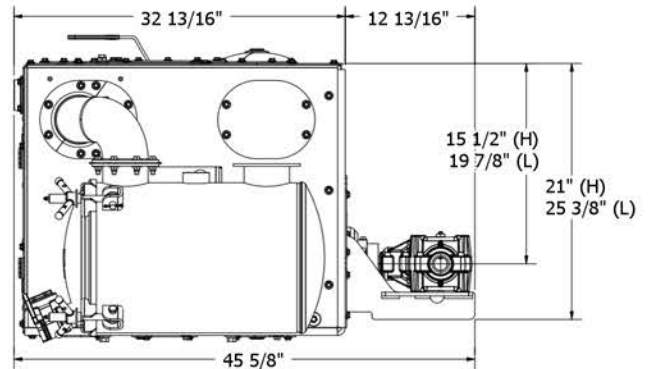
- Frame Mount with Silencers & Horizontal Moisture Trap
- 500 Series 1:2 ratio gearbox
- Improved mounting accessibility
- 3/8" powder coat painted frame
- Stainless steel cabinet with larger door
- Easily accessible service points
- Enhanced ballast and exhaust silencing for quieter operation
- Ballast check valve for pressure operation
- Blower flush kit
- L 45 5/8" W 58 1/2" H 29 11/16"



\*ALSO AVAILABLE IN OPEN PACKAGE DESIGN



BLOWER IS AVAILABLE WITH PNEUMATIC ACTUATOR



(H) HIGH SHAFT GEARBOX / (L) LOW SHAFT GEARBOX

PRODUCT DESCRIPTION	PART NUMBER	WEIGHT
4310 PRO FRAME MOUNT, HIGH SHAFT, GEARBOX DR, ENCL, SILENCER FRAME LEFT, TRAP RIGHT	147-4310HP-430-HDG	1220 LBS
4310 PRO FRAME MOUNT, LOW SHAFT, GEARBOX DR, ENCL, SILENCER FRAME LEFT, TRAP RIGHT	147-4310HP-430-LSG	1220 LBS
4310 PRO FRAME MOUNT, LOW SHAFT, GEARBOX DR, ENCL, SILENCER FRAME LEFT, TRAP RIGHT W/ ACTUATOR	147-4310HP-430-LSGA	1250 LBS
4310 PRO FRAME MOUNT, LOW SHAFT, GEARBOX DR, ENCL, SILENCER FRAME LEFT, TRAP RIGHT, ACT, VAC	147-4310HP-430-LSGAV	1250 LBS
4310 PRO FRAME MOUNT, LOW SHAFT, GEARBOX DR, ENCL, SILENCER FRAME LEFT, TRAP RIGHT, VAC (PICTURED)	147-4310HP-430-LSGV	1225 LBS
4310 PRO FRAME MOUNT, HIGH SHAFT, GEARBOX DR, ENCL, SILENCER FRAME RIGHT, TRAP LEFT	147-4310HP-431-HSG	1220 LBS
4310 PRO FRAME MOUNT, LOW SHAFT, GEARBOX DR, ENCL, SILENCER FRAME RIGHT, TRAP LEFT	147-4310HP-431-LDG	1220 LBS
4310 PRO FRAME MOUNT, LOW SHAFT, GEARBOX DR, ENCL, SILENCER FRAME RIGHT, TRAP LEFT, W/ ACTUATOR	147-4310HP-431-LDGA	1250 LBS

# 4310 PRO PACKAGES

## MAX PRO PAK | HYDRAULIC ADAPTER

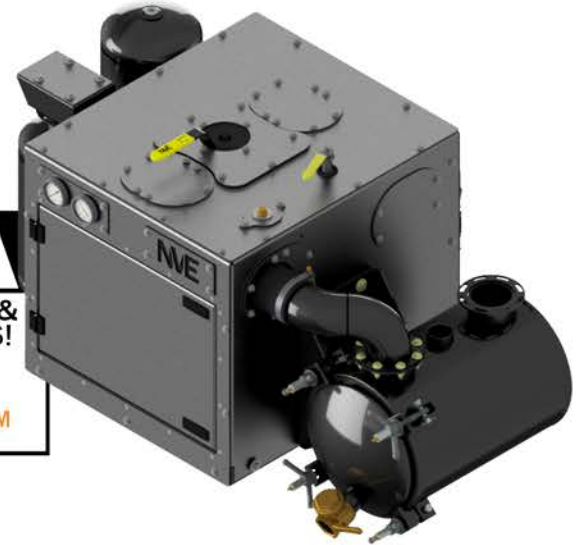
DESIGNED, BUILT & SUPPORTED IN THE USA

# Challenger Series

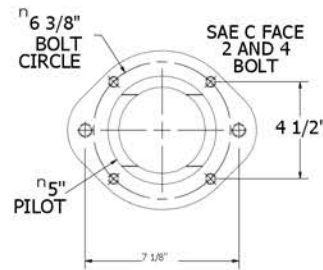
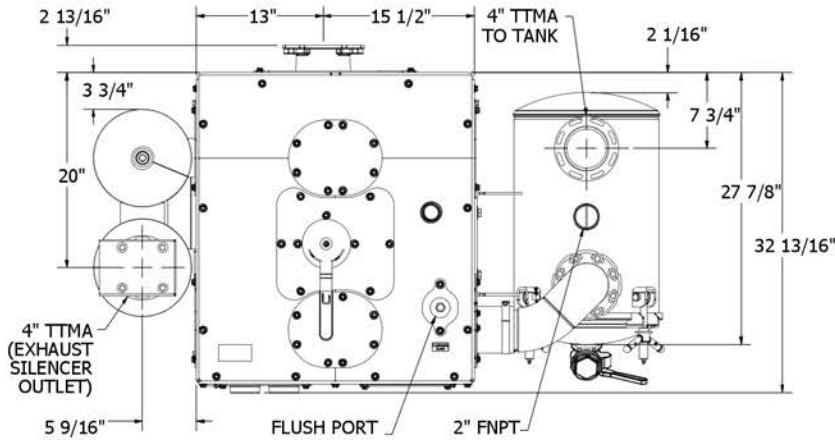
### Features

- Frame Mount with Silencers & Horizontal Moisture Trap
- SAE C face hydraulic adapter
- Hydraulic motor not included
- Improved mounting accessibility
- 3/8" powder coat painted frame
- Stainless steel cabinet with larger door
- Easily accessible service points
- Enhanced ballast and exhaust silencing for quieter operation
- Ballast check valve for pressure operation
- Blower flush kit
- L 35 5/8" W 58 1/2" H 29 3/4"

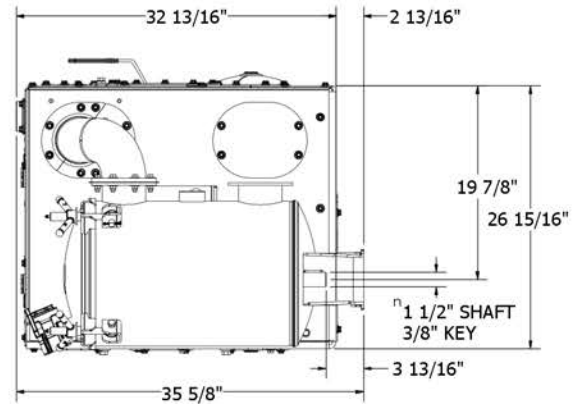
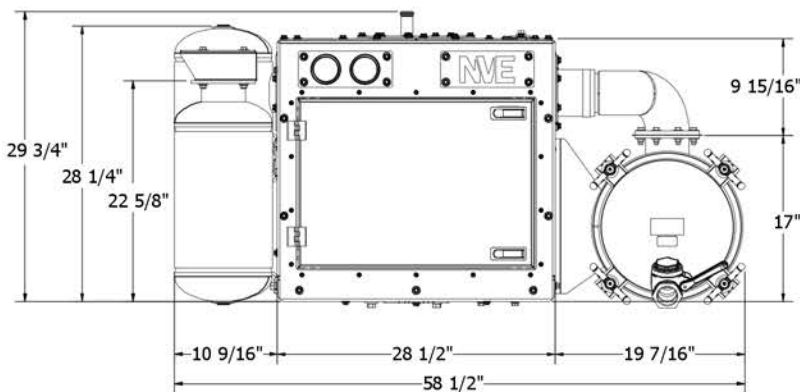
**NEW PACKAGE & NEW FEATURES!**  
 PICTURE SHOWN WITH OPTIONAL  
**ADVANCED VACUUM CONTROL**



\*ALSO AVAILABLE IN OPEN PACKAGE DESIGN



BLOWER IS AVAILABLE WITH PNEUMATIC ACTUATOR



### PRODUCT DESCRIPTION

4310 PRO FRAME MOUNT, LOW SHAFT, HYD DR, ENCL, SILENCER FRAME LEFT, TRAP RIGHT

### PART NUMBER

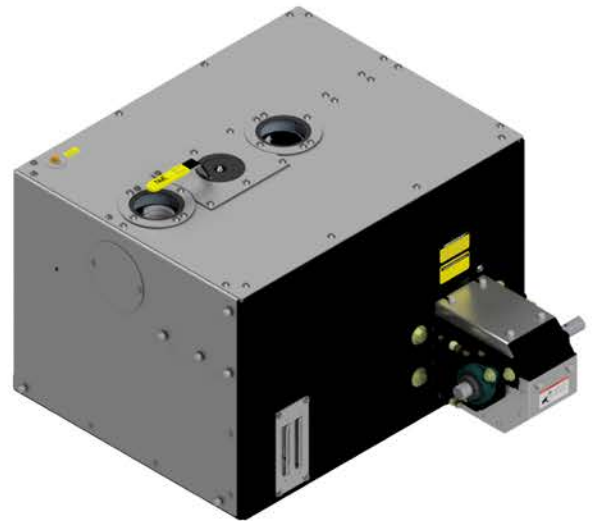
147-4310HP-430-LSH

### WEIGHT

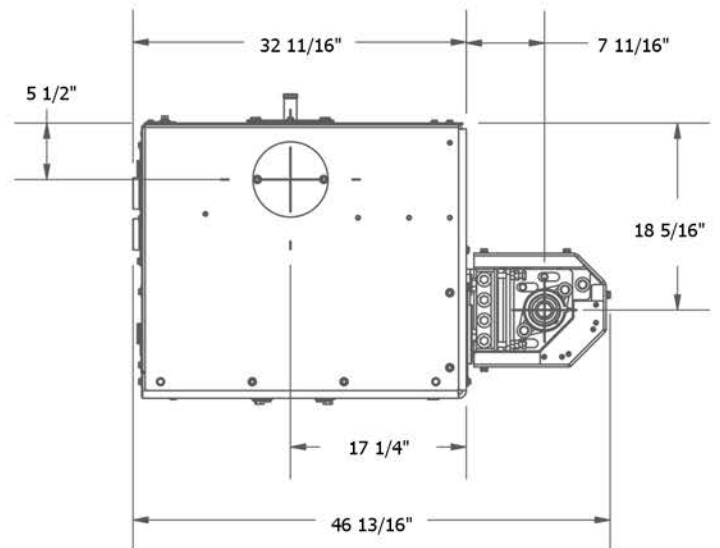
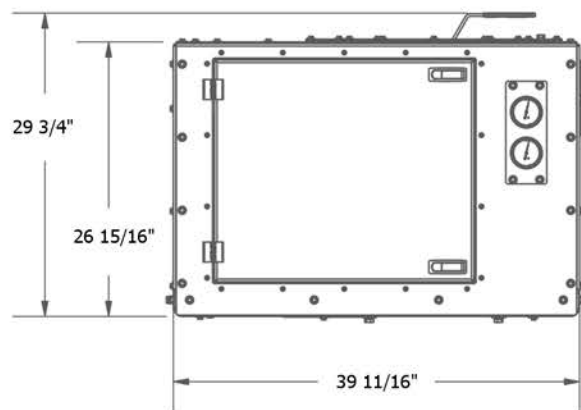
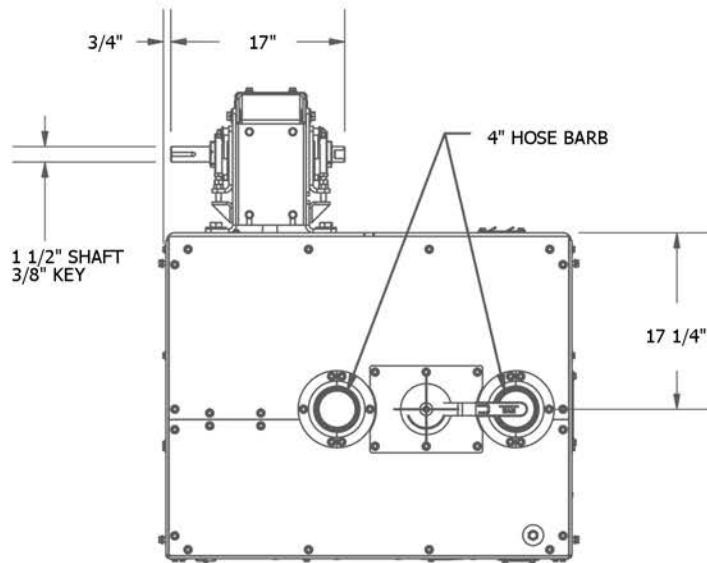
1175 LBS

**Features**

- Frame Mount Belt Drive
- Improved mounting accessibility
- 3/8" powder coat painted frame
- Stainless steel cabinet with larger door
- Easily accessible service points
- Enhanced ballast silencing for quieter operation
- Ballast check valve for pressure operation
- Belt drive with 2.5:1 speed up ratio
- Blower flush kit
- L 46 13/16" W 39 11/16" H 29 3/4"



BLOWER IS AVAILABLE WITH PNEUMATIC ACTUATOR



PRODUCT DESCRIPTION	PART NUMBER	WEIGHT
4310 FRAME MOUNT BELT DR CW ENCL (PICTURED)	147-4310HP-440-LDB	1027 LBS
4310 FRAME MOUNT BELT DR CCW ENCL	147-4310HP-440-HSB	1027 LBS
4310 FRAME MOUNT BELT DR CW ENCL W/ ACTUATOR	147-4310HP-440-LDBA	1052 LBS

# 4310 PRO PACKAGES

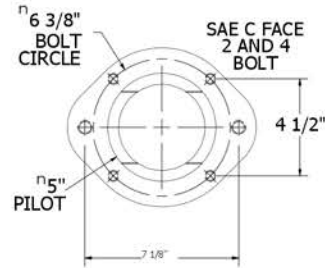
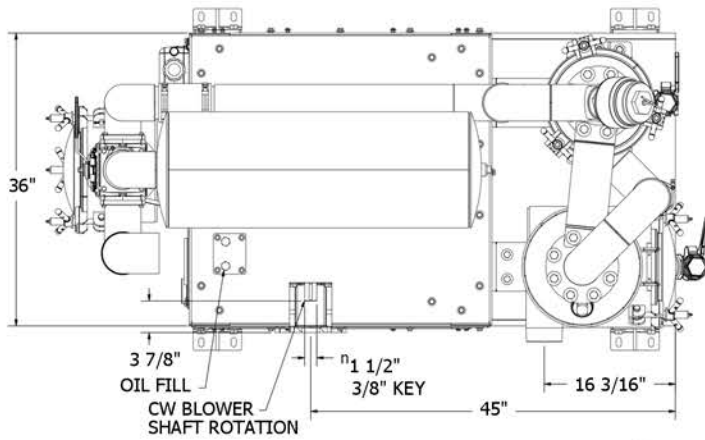
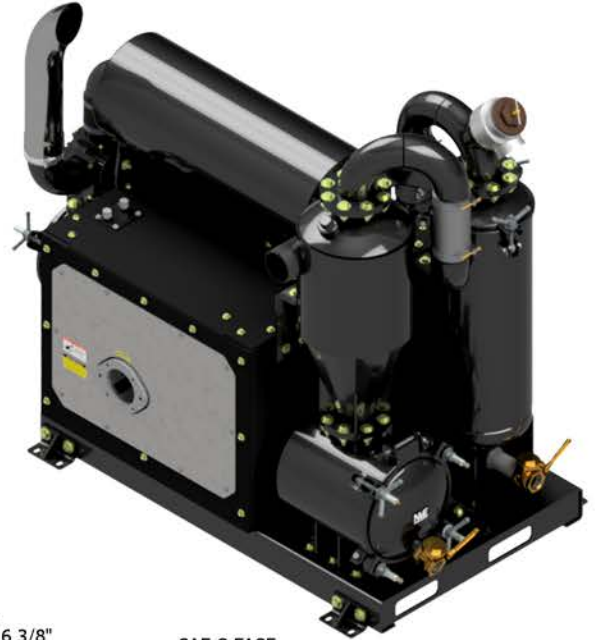
## TOP MOUNT PRO PAK

DESIGNED, BUILT & SUPPORTED IN THE USA

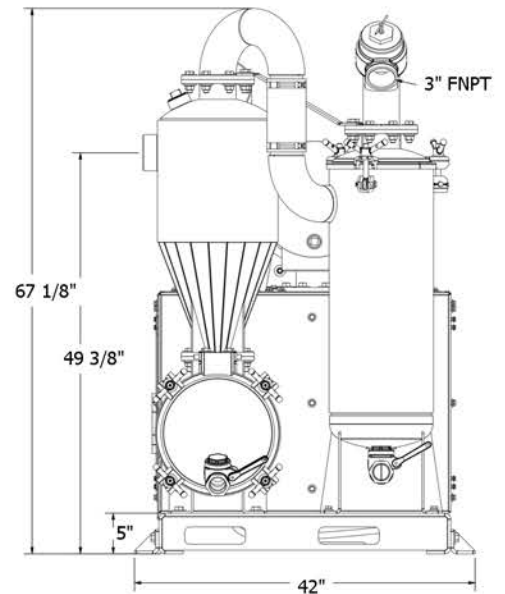
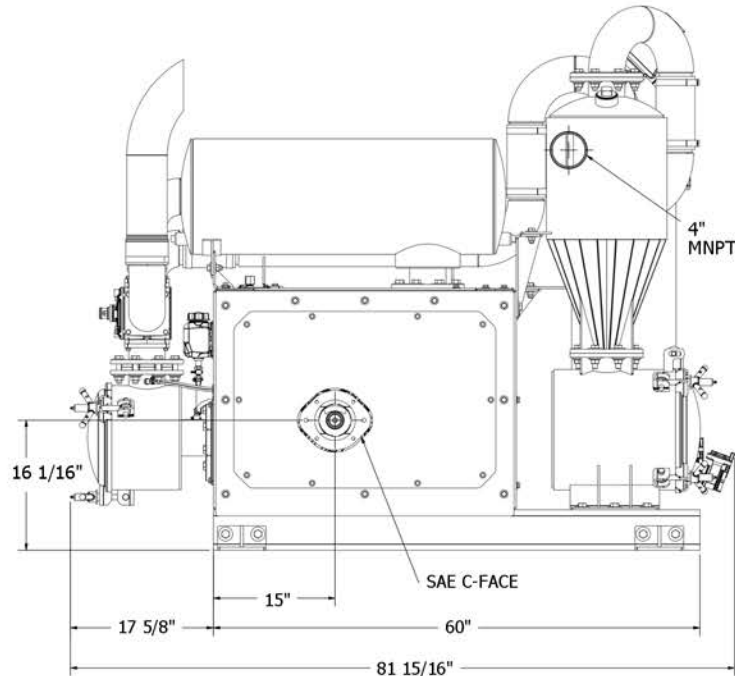
# Challenger Series

### Features

- SAE C face hydraulic adapter or fully adjustable belt drive
- 3/8" powder coat painted frame
- Easily accessible service points
- Ballast check valve for pressure operation
- Enhanced ballast silencing for quieter operation
- Final Filter
- Blower flush kit
- Integral horizontal exhaust silencer
- Optional: Cyclone and moisture trap
- **L 81 15/16" W 36" H 67 1/8"**  
(with cyclone and moisture trap)



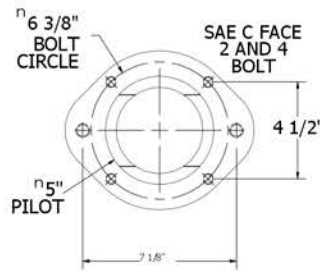
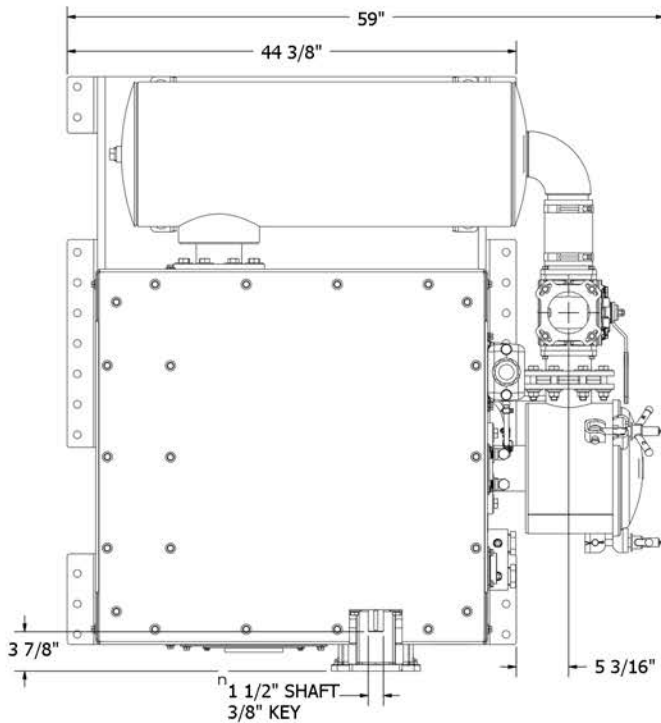
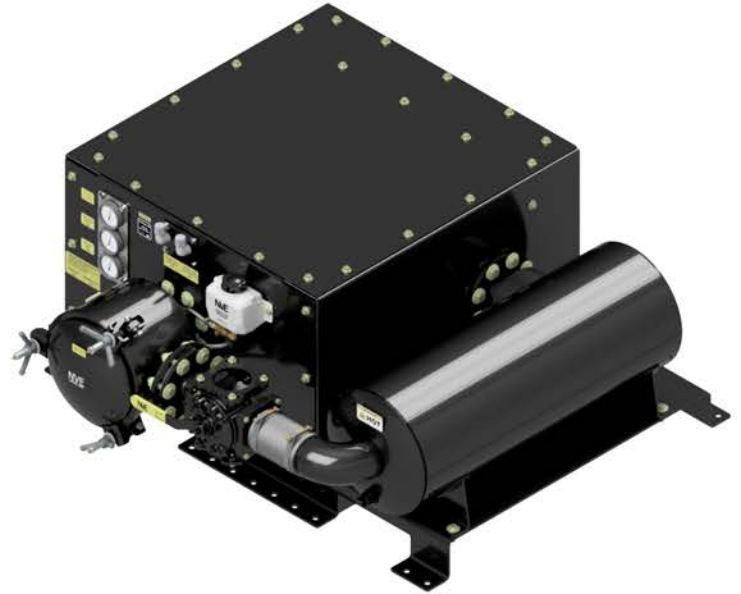
BLOWER IS AVAILABLE WITH PNEUMATIC ACTUATOR



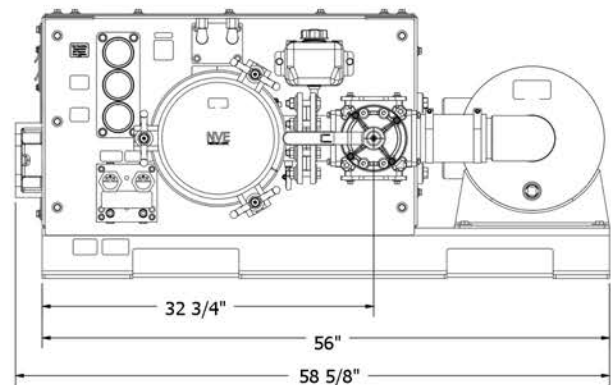
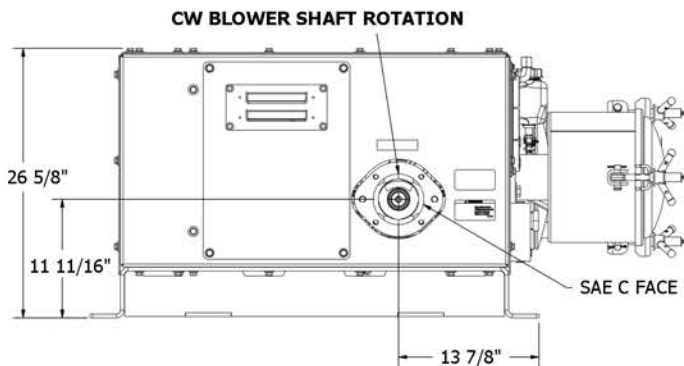
PRODUCT DESCRIPTION	PART NUMBER	WEIGHT
4310 PRO TOP MOUNT, HYD DR, ENCL	147-4310HP-600-LSH	1580 LBS
4310 PRO TOP MOUNT HYD DR, MT, CYCLONE, ENCL (PICTURED)	147-4310HP-620-HDH	2060 LBS
4310 PRO TOP MOUNT, BELT DR, MT, CYCLONE, LOW SHAFT, ENCL	147-4310HP-620-LSB	2150 LBS
4310 PRO TOP MOUNT BELT DR, MT, CYCLONE, HIGH SHAFT, ENCL	147-4310HP-620-HDB	2150 LBS

**Features**

- SAE C face hydraulic adapter
- Hydraulic motor not included
- 3/8" powder coat painted frame
- Easily accessible service points
- Final Filter
- Ballast check valve for pressure operation
- Enhanced ballast silencing for quieter operation
- Blower flush kit
- Integral horizontal exhaust silencer
- Enhanced silencing for quieter operation
- L 58 5/8" W 59" H 26 5/8"



BLOWER IS AVAILABLE WITH PNEUMATIC ACTUATOR



**PRODUCT DESCRIPTION**

4310 BELLY MOUNT HYDRAULIC DRIVE ENCLOSED

**PART NUMBER**

147-4310HP-800-LDH

**WEIGHT**

1460 LBS

# 4310 PRO PACKAGES

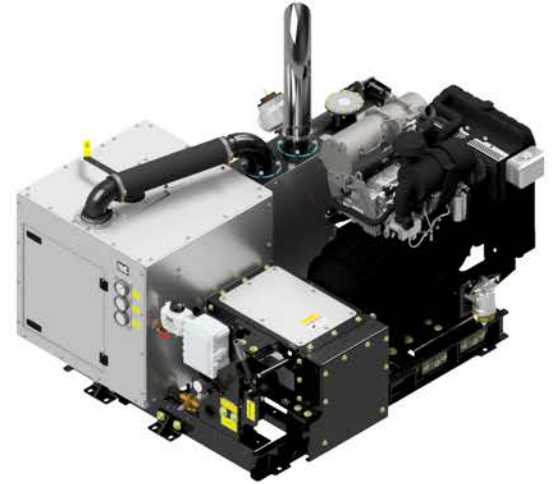
## EDR / EDX

DESIGNED, BUILT & SUPPORTED IN THE USA

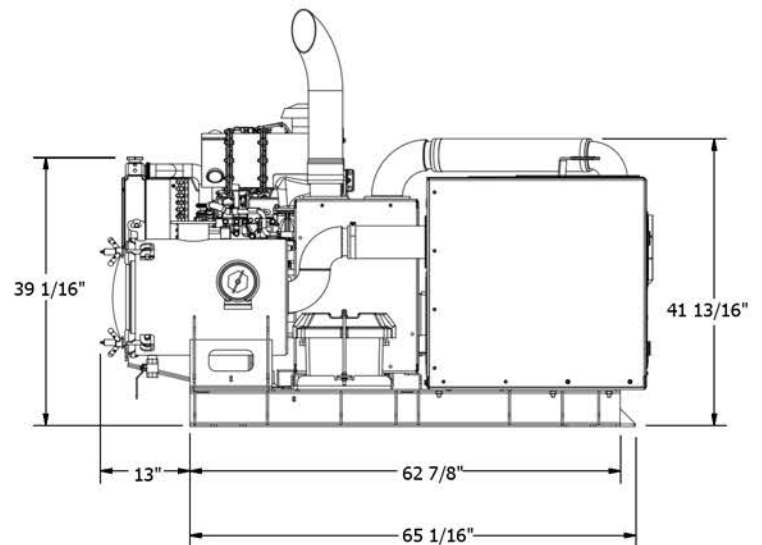
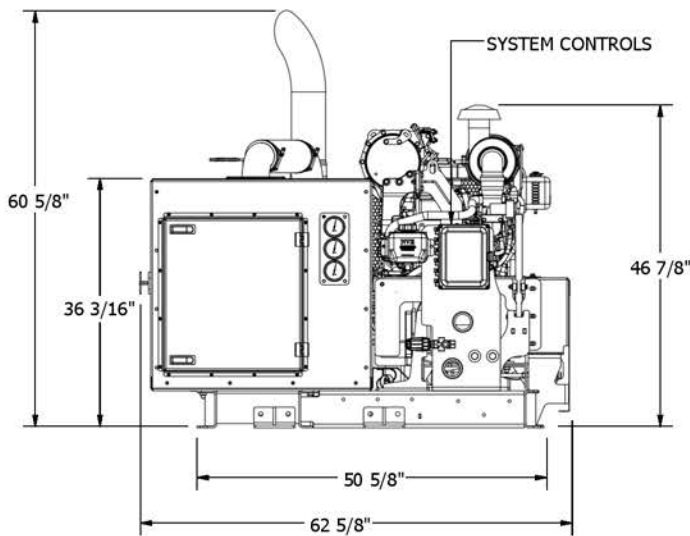
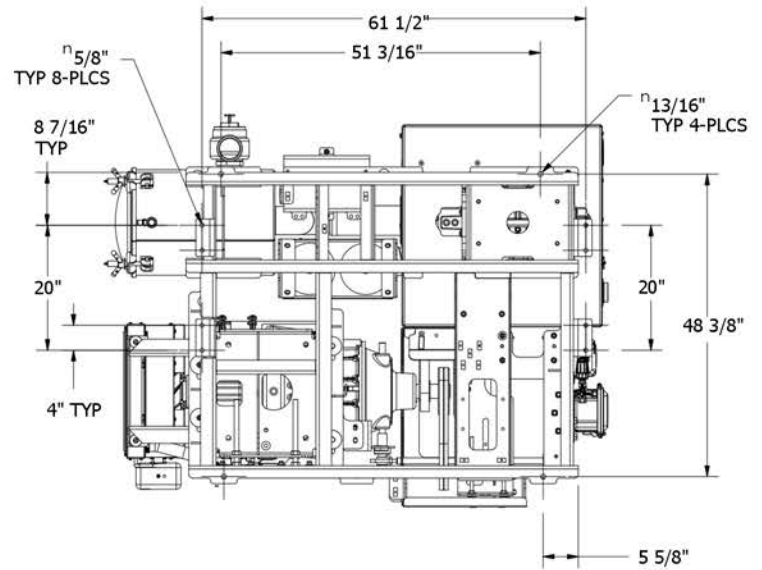
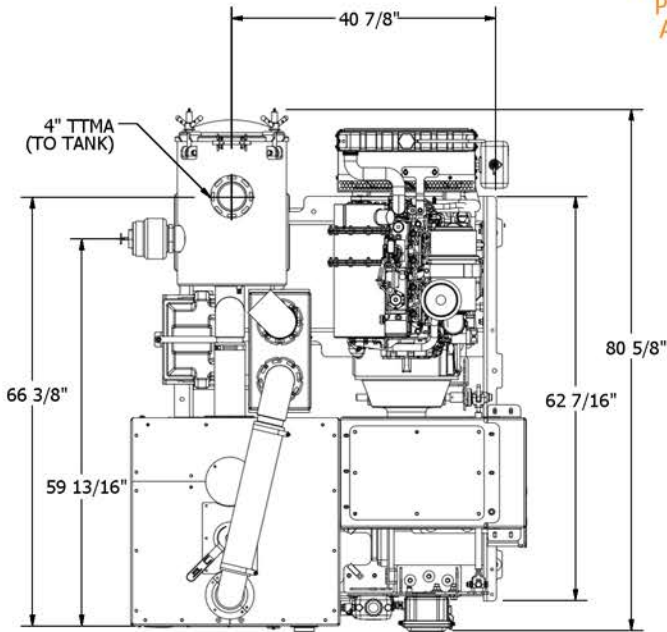
# Challenger Series

### Features

- Yanmar 69.3 HP Diesel Engine with Belt Drive
- NACD Clutch on the diesel engine
- Control panel with on /off switch
- Powder coat painted frame
- Enhance silencing for quieter operation
- Vacuum/Pressure operation
- Pressure relief 3" 10 PSI
- Battery 850 CCA
- Optional: 4 GPM Water pump @ 4000 psi
- Optional: Final filter
- L 62 5/8" W 80 5/8" H 60 5/8"



BLOWER IS AVAILABLE WITH PNEUMATIC ACTUATOR



### PRODUCT DESCRIPTION

4310 PRO HYDRO EXCAVATING DIESEL ENGINE DRIVE W/ HI PRESSURE PUMP (PICTURED)  
 4310 PRO DIESEL ENGINE DRIVE

### PART NUMBER

147-EDX-4310HP-001  
 147-EDR-4310HP

### WEIGHT

2700 LBS  
 2670 LBS



PRODUCT DESCRIPTION	PART NUMBER	WEIGHT
GRIT RIDDER 900	222-900-1	240 LBS



PRODUCT DESCRIPTION	PART NUMBER	WEIGHT
ROUND SILENCER	224-4310-03	194 LBS



PRODUCT DESCRIPTION	PART NUMBER	WEIGHT
43 SERIES PRO EXHAUST SILENCER, FRAME MOUNT	224-360-025	110 lbs
43 SERIES PRO EXHAUST SILENCER, RH INLET	224-360-024	96 lbs
43 SERIES PRO EXHAUST SILENCER, LH INLET	224-360-023	96 lbs



PRODUCT DESCRIPTION	PART NUMBER	WEIGHT
HORIZONTAL MOISTURE TRAP	218-140-001	87 LBS



PRODUCT DESCRIPTION	PART NUMBER	WEIGHT
14 GAL MOISTURE TRAP ALU 4" NPT	216-140-4NPT-A	70 LBS
14 GAL MOISTURE TRAP CARBON 4" NPT	216-140-4NPT-C	131 LBS
14 GAL MOISTURE TRAP SS 4" NPT	216-140-4NPT-S	131 LBS
25 GAL MOISTURE TRAP ALU 4" NPT	216-250-4NPT-A	93 LBS
25 GAL MOISTURE TRAP CARBON 4"	216-250-4NPT-C	171 LBS
25 GAL MOISTURE TRAP SS 4" NPT	216-250-4NPT-S	171 LBS



PRODUCT DESCRIPTION	PART NUMBER	WEIGHT
PSO 12" X 6" CARBON BASE ALU LID 4" HB 10" CAGE	200-1206-4HB-10	50 LBS
PSO 12" X 6" ALU BASE ALU LID 4" HB 10" CAGE	204-1206-4HB-10	42 LBS
PSO 12" X 6" ALU BASE SS LID 4" NPT 10" CAGE	204-1206-4NPT-10	55 LBS
PSO 12" X 6" SS BASE ALU LID 4" HB 10" CAGE	208-1206-4HB-10	55 LBS



PRODUCT DESCRIPTION	PART NUMBER	WEIGHT
PSO 20" X 6" CARBON BASE & LID 4" NPT 10" CAGE	202-2006-4NPT-10	95 LBS



PRODUCT DESCRIPTION	PART NUMBER	WEIGHT
COUPLER HUB E20 1 3/8"	424-200-1375	7.25 LBS
COUPLER HUB E20 1 1/2"	424-200-150	7.25 LBS
COUPLER FLEX ELEMENT E20	424-200-E20	4.15 LBS



PRODUCT DESCRIPTION	PART NUMBERS	WEIGHT
4310 GEARBOX 500 SERIES 1:2 RATIO SPIRAL BEVEL GEARS WITH 1 3/8" SHAFT	422-500-2	28.3 LBS
4310 WELDED GEARBOX BRACKET	280-401-005	31 LBS



PRODUCT DESCRIPTION	PART NUMBER	WEIGHT
HYDRAULIC ADAPTER 43 SERIES, SAE C-FACE	150-466-004	5.5 LBS



PRODUCT DESCRIPTION	PART NUMBER	WEIGHT
BLOWER PACKAGE FLUSH KIT (REMOTE)	320-081-013	2 LBS
FLUSH TANK ASSY HDPE 1QT	320-082-003Z	2 LBS
OIL TANK CAP BLACK W/TETHER	320-083-002	0.10 LBS
OIL LINE BLK 1/4" ID 30R7 PER FT.	320-407-003	0.4 LBS



PRODUCT DESCRIPTION	PART NUMBER	WEIGHT
FLANGE 4" ADJUSTABLE ELBOW	150-063-014	1.50 LBS
O-RING VITON FOR ELBOW	120-064-012	.01 LBS
ELBOW 4" 90 DEGREE ALUM. HOSE BARB X O-RING	803-063-001	2.00 LBS
ELBOW 4" 90 DEGREE ALUM. HOSE BARB X HOSE BARB	803-063-012	.69 LBS



PRODUCT DESCRIPTION	PART NUMBER	WEIGHT
3 POSITION PNEUMATIC ACTUATOR	409-200-100	25 LBS



PRODUCT DESCRIPTION	PART NUMBER	WEIGHT
4310 PRO INLET FILTER	150-314-012	1.10 LBS
4310 PRO FILTER FOR REMOTE 12" FINAL FILTER	150-314-008	7 LBS



PRODUCT DESCRIPTION	PART NUMBER	WEIGHT
KNOB - FILTER COVER 5/16-18 UN	120-312-002	.10 LBS



PRODUCT DESCRIPTION	PART NUMBER	WEIGHT
THERMOMETER REMOTE 200-400F 6' COPPER LEAD 3/8"	408-200-006	1.25 LBS
GAUGE 2.5" VAC/PRES LIQ BACK CONNECTION 1/4 NPT	408-200-007	.45 LBS



PRODUCT DESCRIPTION	PART NUMBER	WEIGHT
HANDLE 4310 PRO ENCLOSED	412-060-009	2 LBS
YELLOW GRIP 1/4" HANDLE W/ LOGO	120-060-002	.05 LBS



PRODUCT DESCRIPTION	PART NUMBER	WEIGHT
VALVE 4" 4-WAY ASSY NO FLANGES	410-004-002-NF	35.3 LBS

# NVE

National Vacuum Equipment

■ Part of Atlas Copco Group



**DESIGNED.  
BUILT.  
SUPPORTED.**

Produced in the USA | Distributed World-Wide



MADE IN THE USA

Revised 11/2025

## Challenger **Series**

800-253-5500

sales@natvac.com

2707 Aero Park Dr. | Traverse City, MI 49686

PRODUCT  
INFORMATION



CONDITION  
OF SALES

