

# NVE

A Partnership *for* Success

COMMERCIAL DUTY

# Battioni Pagani



Battioni®  
Pagani  
Pompe

VACUUM / PRESSURE PUMPS

MEC 5000 - 6500 - 8000



National Vacuum Equipment



Locations in Michigan & Texas

800-253-5500 | 800-998-6834 FAX | sales@natvac.com

[natvac.com](http://natvac.com)

# Battioni Pagani Pumps

Battioni Pagani, S.p.A., of Sorbolo, Italy, is the world's largest volume manufacturer of rotary vane vacuum pumps for liquid waste handling applications. They have been able to achieve this stature by producing well-designed, precisely-machined, and carefully assembled products which have gained a worldwide reputation for rugged reliability.

## MEC 5000 Specifications

Porting Size Flanged NPT	3"
Maximum Air Flow-CFM	195
Maximum Intermittent Vacuum	27" hg
Maximum Intermittent Pressure	30 psi
Net Weight	253 lbs



## MEC 5000

Dimensions: 15.5" W x 22" L x 20" H  
Shaft Size: 32 mm

OPERATING SPECS		PRESSURE (PSI)						FREE FLOW	VACUUM (INCHES OF MERCURY)								
RPM	UOM	30	25	20	15	10	5	0	3	6	9	12	15	18	21	24	27
1400	HP	28	24	21	17	14	12	7	7	7	8	9	10	11	12	13	14
	CFM	154	158	166	172	180	187	195	192	190	185	180	175	165	155	140	115
1200	HP	24	20	17	15	13	8	5	6	6	7	7	8	9	10	11	12
	CFM	128	132	138	144	150	158	165	162	160	156	152	148	140	130	115	85
1000	HP	19	17	14	12	9	6	3	4	4	5	6	7	7	8	9	9
	CFM	98	106	112	117	124	130	138	135	130	126	121	116	110	98	84	50

## MEC 6500 Specifications

Porting Size Flanged NPT	3"
Maximum Air Flow-CFM	250
Maximum Intermittent Vacuum	27" hg
Maximum Intermittent Pressure	30 psi
Net Weight	268 lbs



## MEC 6500

Dimensions: 15.5" W x 25" L x 20" H  
Shaft Size: 32 mm

OPERATING SPECS		PRESSURE (PSI)						FREE FLOW	VACUUM (INCHES OF MERCURY)								
RPM	UOM	30	25	20	15	10	5	0	3	6	9	12	15	18	21	24	27
1400	HP	34	30	27	22	18	13	10	10	11	11	12	12	13	13	14	15
	CFM	220	224	228	232	237	242	250	248	246	244	240	236	230	220	205	180
1200	HP	28	26	22	18	14	12	8	8	9	9	10	11	11	12	12	13
	CFM	184	188	192	197	204	212	220	218	216	214	210	202	196	185	175	145
1000	HP	24	22	18	15	15	8	6	6	7	7	8	8	9	10	10	11
	CFM	152	156	160	163	167	170	180	177	172	170	167	162	158	150	140	110

## MEC 8000 Specifications

Porting Size Flanged NPT	3"
Maximum Air Flow-CFM	285
Maximum Intermittent Vacuum	27" hg
Maximum Intermittent Pressure	30 psi
Net Weight	321 lbs



## MEC 8000

Dimensions: 15.5" W x 28" L x 20" H  
Shaft Size: 32 mm

OPERATING SPECS		PRESSURE (PSI)						FREE FLOW	VACUUM (INCHES OF MERCURY)								
RPM	UOM	30	25	20	15	10	5	0	3	6	9	12	15	18	21	24	27
1400	HP	42	37	33	27	22	17	12	12	13	14	15	17	18	16	20	21
	CFM	248	251	255	260	268	278	285	282	280	277	271	265	258	242	220	180
1200	HP	35	32	28	22	16	12	8	9	10	11	11	12	13	14	15	16
	CFM	206	210	214	220	230	237	245	243	240	236	230	225	218	200	180	150
1000	HP	29	25	21	17	13	9	6	6	7	7	8	9	10	11	12	13
	CFM	168	173	178	183	190	195	200	205	200	192	186	180	170	158	146	100

Please see set up & operation guide for operating parameters.

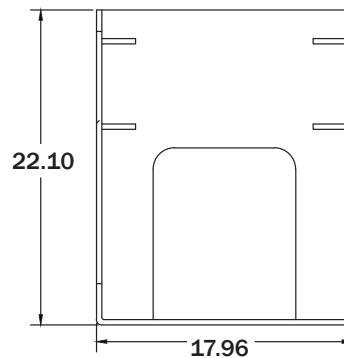
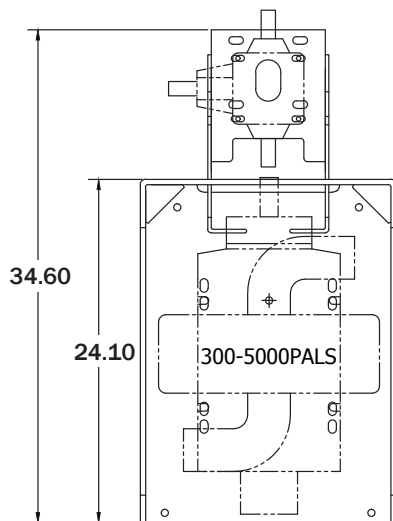
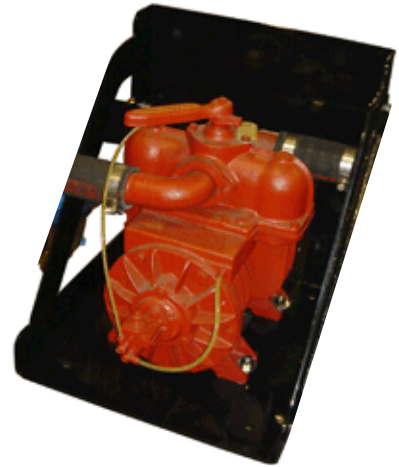
## Battioni Pagani Pumps and Packages

Check out our competent design and engineering staff, our state of the art fabrication facility and quality powder coat painting capabilities all wrapped up in our unique pump packages. Each package is built around our quality Challenger vacuum pumps. These rugged and functional packages are designed to reduce installation time, ensure appropriate sized drive systems and vacuum system components, and provide accessible maintenance points. If you don't see what you are looking for, be sure to contact your NVE representative.

*Package price includes counter clockwise vacuum pump. All elbows, fittings and high temp hoses are factory connected.*

### MEC 5000 & 8000 Pump Stand Complete

- 200 series three-shaft gearbox
- Coupler set with shear protection
- Rugged 3/8" construction, powder coat painted pump stand
- Easy-align, adjustable gearbox bracket



# Challenger Series

VACUUM PUMPS & BLOWERS



*We design, build and service the best pumps and packages on the planet... and we do it in the USA.*

For over 25 years NVE has been providing quality vacuum system components to the liquid waste markets. From design, to development to product support, NVE IS the industry leader.

In addition to our team of engineers and highly qualified support staff, NVE has a state-of-the-art machine shop, fabrication shop, and powder coat paint facility housed in two plants in Traverse City, Michigan. We also have a warehouse and sales support facility in Mansfield, Texas.

For questions and additional information please contact your dealer or NVE direct at 800.253.5500.

Thank you,

**NVE**

National Vacuum Equipment



**Battioni®  
Pagani  
Pompe**

DISTRIBUTED BY:

**NVE**

National Vacuum Equipment

P.O. Box 685 | Traverse City, MI 49685 USA  
231.941.0215 Phone | 231.941.2354 Fax

sales@natvac.com | www.natvac.com | 800.253.5500