

NVE

A Partnership *for* Success

COMMERCIAL DUTY

Battioni Pagani



Battioni®
Pagani
Pompe

VACUUM / PRESSURE PUMPS

MECII 9000 - 11000



National Vacuum Equipment



Locations in Michigan & Texas

800-253-5500 | 800-998-6834 FAX | sales@natvac.com

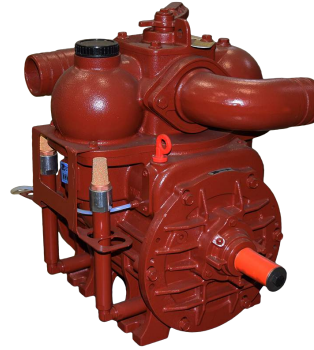
natvac.com

Battioni Pagani Pumps

Battioni Pagani, S.p.A., of Sorbolo, Italy, is the world's largest volume manufacturer of rotary vane vacuum pumps for liquid waste handling applications. They have been able to achieve this stature by producing well-designed, precisely-machined, and carefully assembled products which have gained a worldwide reputation for rugged reliability.

MECII 9000/P Specifications

RPM Range	800-1400
Maximum Air Flow-CFM	320
Maximum Intermittent Vacuum	27
Maximum Intermittent Pressure	30
Pump Drive Rotation	CW/CCW
Porting Size Flanged NPT	3"
Manifold With Four Way Valve	Standard
Bearings Sealed From Pump Interior	Standard
Anti-Spin Check Valve	Standard
Automatic Lubrication System	Optional
Oil Tank Capacity-Quarts	2 1/2
Net Weight	289 lbs



MECII 9000

Dimensions: 15.5" W x 22" L x 20" H
Shaft Size: 32 mm

OPERATING SPECS		PRESSURE (PSI)						FREE FLOW	VACUUM (INCHES OF MERCURY)							
RPM	UOM	30	25	20	15	10	5	0	6	9	12	15	18	21	24	27
1400	HP	24	20	17	14	9	6	5.5	6	9	11	13.5	16	18	20	22
	CFM	297	301	305	309	312	315	320	316	276	230	184	140	95	49	5
1200	HP	20	17	14	12	8	5	4	5	7	9	11	13	15	17	19
	CFM	266	271	276	280	283	286	289	287	247	208	170	128	86	43	4
1000	HP	16	13	11	9	6	4	3.5	4	5	6	8	9	11	13	15
	CFM	212	218	223	228	231	234	236	233	189	163	138	104	70	35	3

MECII 11000/P Specifications

RPM Range	800-1400
Maximum Air Flow-CFM	394
Maximum Intermittent Vacuum	27
Maximum Intermittent Pressure	30
Pump Drive Rotation	CW/CCW
Porting Size Flanged NPT	3"
Manifold With Four Way Valve	Standard
Bearings Sealed From Pump Interior	Standard
Anti-Spin Check Valve	Standard
Automatic Lubrication System	Optional
Oil Tank Capacity-Quarts	2 1/2
Net Weight	322 lbs



MECII 11000

Dimensions: 15.5" W x 25" L x 20" H
Shaft Size: 32 mm

OPERATING SPECS		PRESSURE (PSI)						FREE FLOW	VACUUM (INCHES OF MERCURY)							
RPM	UOM	30	25	20	15	10	5	0	6	9	12	15	18	21	24	27
1400	HP	27	23	19	16	10	7	5.5	8	9	13	15	16	19	23	26
	CFM	374	377	379	381	386	392	394	384	340	261	219	165	111	57	5
1200	HP	24	21	17	14	9	6	4	7	8	10	12	14	17	20	23
	CFM	331	336	341	346	349	352	353	346	314	243	205	156	107	54	4
1000	HP	21	18	14	11	6	4	3.5	4	5	7	10	12	14	17	19
	CFM	265	272	279	286	293	299	300	289	244	194	173	131	89	47	3

Please see set up & operation guide for operating parameters.

Battioni Pagani Pumps and Packages

Check out our competent design and engineering staff, our state of the art fabrication facility and quality powder coat painting capabilities all wrapped up in our unique pump packages. Each package is built around our quality Challenger vacuum pumps. These rugged and functional packages are designed to reduce installation time, ensure appropriate sized drive systems and vacuum system components, and provide accessible maintenance points. If you don't see what you are looking for, be sure to contact your NVE representative.

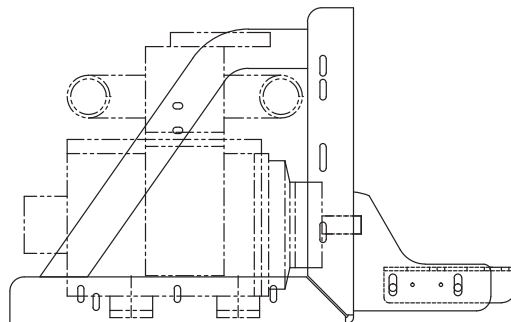
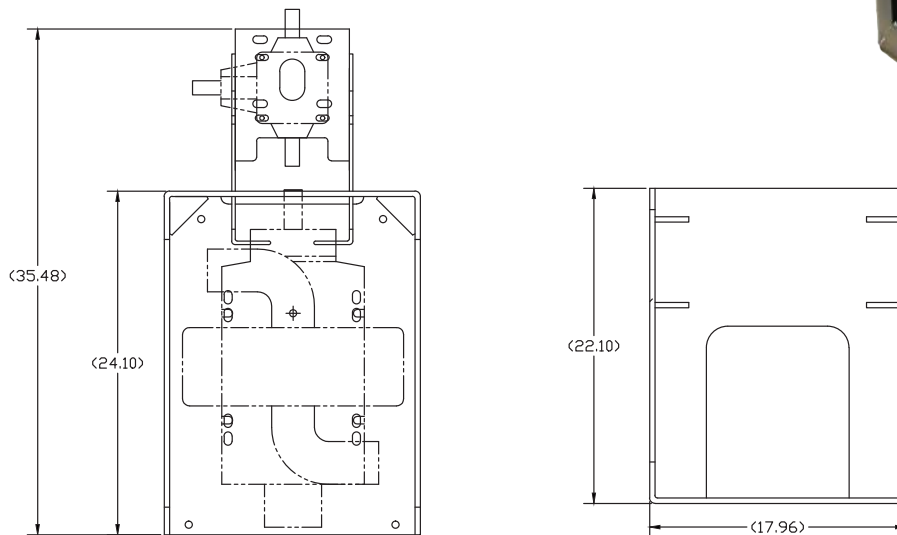
VACUUM PUMP INCLUDED. Specify direction of rotation, cooling type and muffler location (right or left). All elbows, fittings and high temp hoses are factory connected.

MECII 9000 & 11000 Pump Stand Complete

- 400 series three-shaft gearbox accommodates CW and CCW rotation.
- Coupler set with shear protection.
- Rugged 3/8" construction, powder coated pump stand.
- Easy-align, adjustable gearbox bracket.



MECII 11000 Shown



Challenger Series

VACUUM PUMPS & BLOWERS



We design, build and service the best pumps and packages on the planet... and we do it in the USA.

For over 25 years NVE has been providing quality vacuum system components to the liquid waste markets. From design, to development to product support, NVE IS the industry leader.

In addition to our team of engineers and highly qualified support staff, NVE has a state-of-the-art machine shop, fabrication shop, and powder coat paint facility housed in two plants in Traverse City, Michigan. We also have a warehouse and sales support facility in Mansfield, Texas.

For questions and additional information please contact your dealer or NVE direct at 800.253.5500.

Thank you,

NVE

National Vacuum Equipment



**Battioni®
Pagani
Pompe**

DISTRIBUTED BY:

NVE

National Vacuum Equipment

P.O. Box 685 | Traverse City, MI 49685 USA
231.941.0215 Phone | 231.941.2354 Fax

sales@natvac.com | www.natvac.com | 800.253.5500