

## T

Tank 22  
Threaded rod 31  
Torque 27, 33  
Troubleshooting 21  
Turbine oil 18

## V

Vacuum, continuous 11  
Vacuum, intermittent 11  
Vacuum, none in tank 22  
Valve, changeover 19  
Valve, check 22  
Valve, four way 11  
Valve, pressure relief 19  
Valve, suction 18  
Vane 13, 19, 21  
Vane breakage 8  
Vane life 19  
Vane replacement 23, 29  
Vane wear 18  
Vanes 25, 30, 32  
Vanes, chipped or delaminated  
25, 30

## W

Warranty 7  
Warranty procedure 9  
Washers 15  
Weight 11  
Woods Sure Flex Couplers 15

*MEC 2000/P*  
*MEC 3000/P*  
*MEC 4000/P*

---

### Owner's Record

**Date of Purchase:** \_\_\_\_\_

**Purchased from:** \_\_\_\_\_

**Model:** \_\_\_\_\_

**Serial Number:** \_\_\_\_\_

# Index

## A

Air Flow 11  
Automatic Lubrication 40  
Automatic Lubrication System 40  
Automatic Oil Pump 42

## B

Bearing 11, 19, 25, 29, 30, 34  
Bearing cover 29, 31  
Bearing driver 34  
Bore 30

## C

Check Valve, Anti-Spin 11  
Check valve ball 30  
Cleaning 19  
Clockwise 20  
Components 13  
Counterclockwise 20  
Coupling 15  
Cushion 29  
Cushion material 32

## D

Diesel fuel 19  
Dripper 16, 19  
Drive key 24, 28

## E

Endplate 21, 24, 29, 32, 33

## F

Factory Settings 17  
Four way valve 30

## G

Gasket sealer 26, 31, 33  
Gaskets 20, 25, 30, 31, 33  
Gear-Type Lubrication System 44  
Greasing 19  
Guides 31

## H

Hose 15  
Housing 25, 29, 35  
Housing bore 31  
Housing, boring or honing 30  
Hydraulic press 29

## I

Identifying mark 29  
Installation 15  
Instructions, rebuilding 23

## J

Jam nut 17

## L

Lubricate 26, 31  
Lubrication 11, 16  
Lubrication rate 19

## M

Maintenance 8  
Manifold 11  
Manufacturer's warranties 8  
MEC 2000/540 - 3000/540 - 4000/540 38  
Mixer Valve Manifold 39  
Muffler 15

## O

Oil 19  
Oil adjustment 21  
Oil lines 28, 34  
Oil pump 16, 34  
Oil pump shaft 28  
Oil rate 16  
Oil reservoir 18  
Oil tank capacity 11  
Oil, turbine grade 18  
Oil, using too much 21  
Oiler 18, 20  
Operation, normal 18  
Overheating 21  
Owner's Record 1

## P

Parts Diagram 36  
Parts Diagram Foldout 35, 40, 42, 44  
Parts List 35, 40, 44  
Performance 12  
Piston 17  
Portal F-801 13  
Porting size 11  
Pressure, continuous 11  
Pressure, intermittent 11  
Pressure relief valve 19  
Prybar 33  
PTO 21  
Pull holes 24  
Puller 29  
Pump body 13  
Pump doesn't turn 21  
Pump, piston-type 17  
Punch 34

## R

Rebuild, complete 29  
Rebuilding 23  
Recommended Lubrication 18  
Registration card 7  
Repair 23  
Return goods authorization 9  
Rotation 11, 15  
Rotation, changing 20  
Rotor 13, 25, 29, 30, 32  
Rotor shaft 29  
Rotor slots 25  
Rotor-endplate assembly 32  
RPM 18, 21  
RPM Range 11

## S

Seal sleeve 27, 31  
Seals 20, 21, 25, 26, 30  
Serial number 7  
Serial number tag 9  
Specifications 11  
System requirements 13

# Contents

---

## Introduction

About National Vacuum Equipment, Inc. . . . . 5

## Limited Warranty

Warranty . . . . . 7

Warranty Procedures . . . . . 9

## The MEC Series Pumps

Pump Specifications . . . . . 11

Performance . . . . . 12

System requirements . . . . . 13

## Operating Instructions

Installation . . . . . 15

Lubrication procedure . . . . . 16

Automatic oil pump . . . . . 16

Adjusting the automatic oil pump . . . . . 17

Recommended lubrication . . . . . 18

Normal operation for air cooled pumps: . . . . . 18

Maintenance . . . . . 19

Determining the rotation of the pump . . . . . 20

## Troubleshooting

Pump overheats . . . . . 21

Too much oil use . . . . . 21

Pump doesn't turn . . . . . 21

No vacuum or pressure in tank . . . . . 22

## Pump Rebuilding

Vane replacement . . . . . 23

Complete rebuild . . . . . 29

*Table of Contents continues on next page.*

**Parts List - MEC /P Series Pumps**

- Parts List ..... 35
- Parts Diagram ..... 36

**Parts List - MEC /540 Series Pumps**

- Parts List and Diagram ..... 38

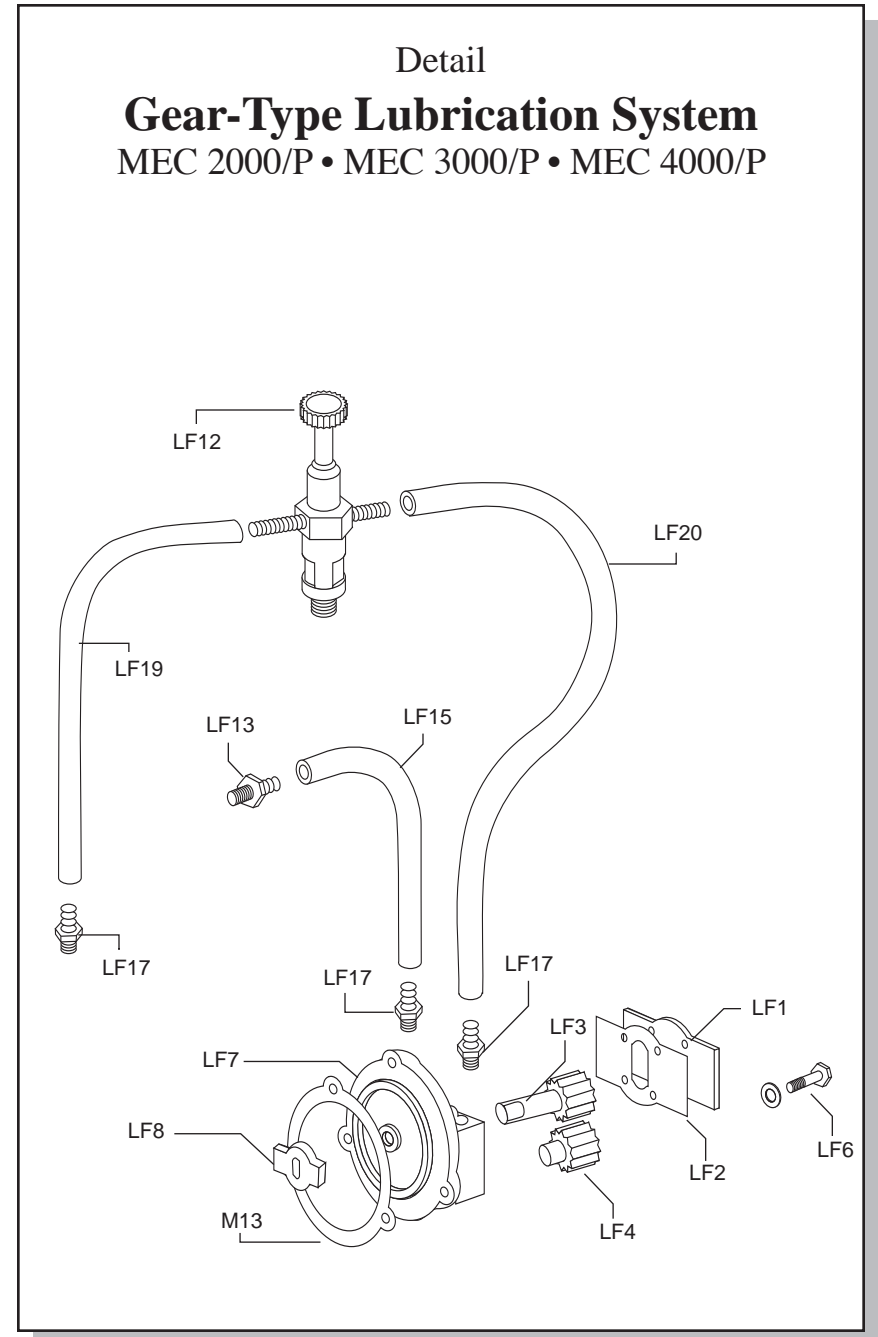
**Parts List - MEC Mixer Valve Manifold**

- Parts List and Diagram ..... 39

**Parts Details - Lubrication Systems**

- Automatic Lubrication System ..... 40
- Automatic Oil Pump ..... 42
- Gear-Type Lubrication System ..... 44

**Index**



# Gear-Type Lubrication System

MEC 2000/P

MEC 3000/P

MEC 4000/P

See Parts Diagram opposite.

| <b>Part #</b> | <b>Description</b>                        |
|---------------|---|
| LF1           | Cover Plate                               |
| LF2           | Cover Plate Gasket                        |
| LF3           | Drive Gear                                |
| LF4           | Driven Gear                               |
| LF6           | Bolt                                      |
| LF7           | Oil Pump Housing                          |
| LF8           | Drive Tab                                 |
| LF12          | Dripper – T-Type (Clockwise)              |
| LF12CCW       | Dripper – V-Type (Counterclockwise)       |
| LF12G         | Dripper Gasket                            |
| LF12GL        | Dripper Glass                             |
| LF13          | Fitting (Housing Oil Reservoir - M10 x 1) |
| LF15          | Hose (5mm x 10.5 mm x 6.75")              |
| LF17          | Fitting (Gear Type Oil Pump - M6 x 1)     |
| LF19          | Hose (5mm x 10.5 mm x 8.5")               |
| LF20          | Hose (5mm x 10.5 mm x 18.5")              |
| LF21          | Oil Line Per Foot                         |
| LF22          | Oil Pump – Complete                       |
| M13           | Gasket                                    |

# Introduction

## General Information



## About National Vacuum Equipment, Inc.

Congratulations! You now own a quality vacuum/pressure pump exclusively distributed in North America by National Vacuum Equipment, Inc. You have not only acquired a superior piece of equipment from a qualified dealer, you have hired a team of vacuum experts. We stand ready to work with your dealer to answer your questions and provide you with the information necessary to keep your equipment in peak working condition.

Thank you for using National Vacuum Equipment.

### OUR MISSION:

We are dedicated to the manufacture and wholesale distribution of quality vacuum system products at a reasonable price, on a timely basis. We are a “one-stop shop” for manufacturers and distributors of vacuum equipment.

### OUR HISTORY:

National Vacuum Equipment, Inc. was founded in 1980 by Bruce Luoma. The Company started as a retailer of vacuum pumps. Soon after it started, the Company secured the rights to exclusive distribution of the Battioni vacuum pumps in North America. This helped the Company to evolve into its current status as a wholesale supplier.

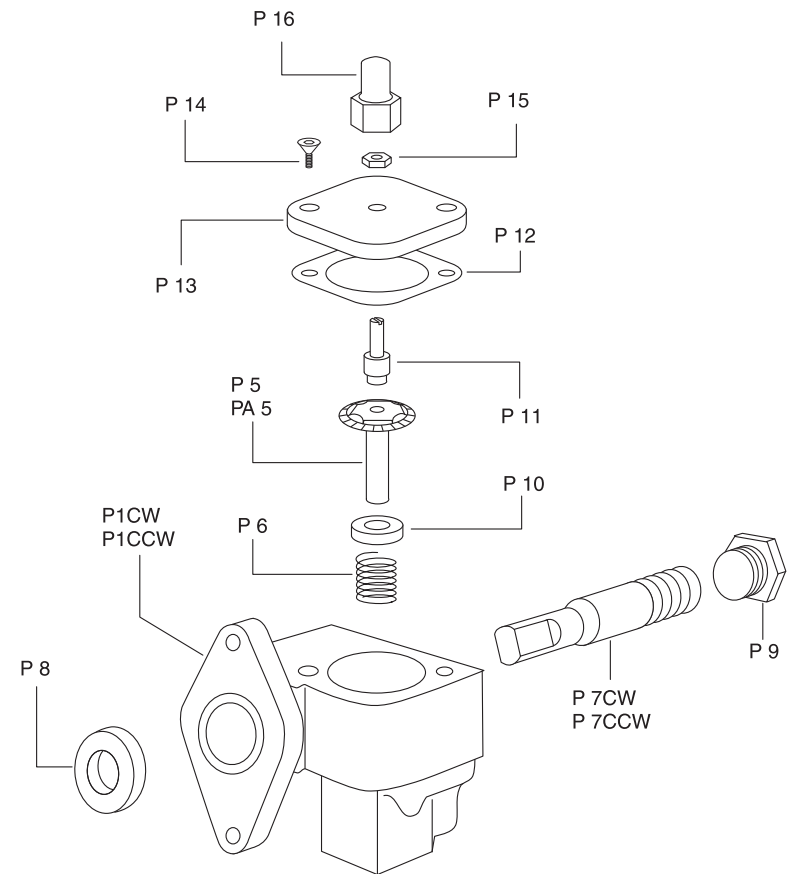
To reach the goal of becoming a full service supplier of vacuum system components, the Company began fabricating its own line of componentry, purchased and developed its own line of vacuum pumps, and began purchasing for resale various valves and accessories.

Today, NVE has full service machine and fabrication shops complete with CNC-controlled production equipment designed for close tolerance work. The company has a highly trained staff all of whom are dedicated to quality.

## Detail Automatic Oil Pump One Outlet Type

Part # LW32CD Clockwise – One Outlet

Part # LW32CS Counterclockwise – One Outlet



# Automatic Oil Pump

See Parts Diagram opposite.

| <b>Part #</b> | <b>Description</b>                      |
|---------------|---|
| P 1CW         | Pump Body – 1 outlet (Clockwise)        |
| P 1CCW        | Pump Body – 1 outlet (Counterclockwise) |
| P 5           | Driven Gear (Clockwise)                 |
| PA 5          | Driven Gear (Counterclockwise)          |
| P 6           | Spring                                  |
| P 7CW         | Driving Gear (Clockwise)                |
| P 7CCW        | Driving Gear (Counterclockwise)         |
| P 8           | Seal                                    |
| P 9           | Plug                                    |
| P 10          | Retainer                                |
| P 11          | Adjusting Screw                         |
| P 12          | Gasket                                  |
| P 13          | Lid                                     |
| P 14          | Screw                                   |
| P 15          | Jam Nut                                 |
| P 16          | Cap                                     |

# Limited Warranty

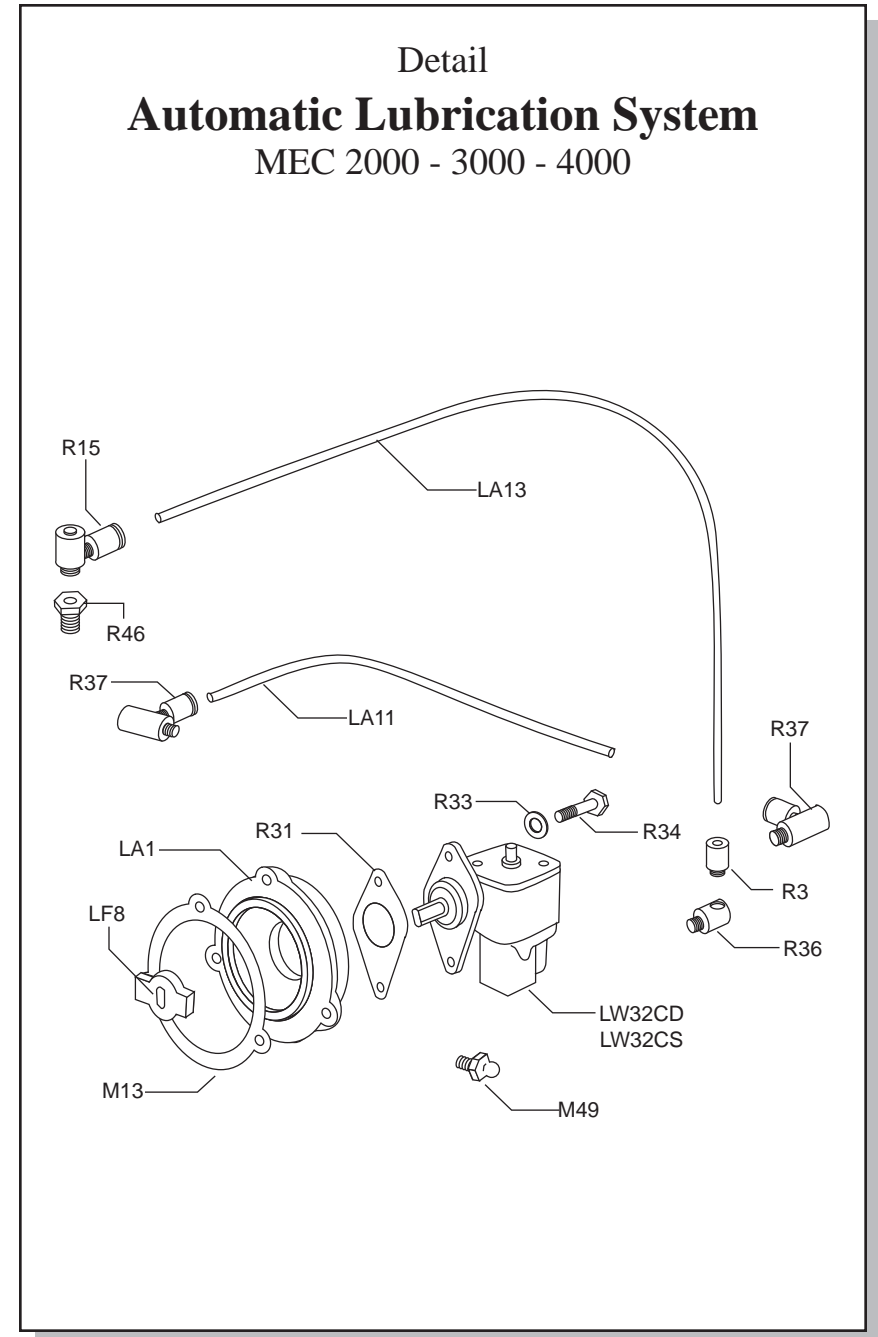
## National Vacuum Equipment, Inc.

Guarantees that the product it provides is free of manufacturer's defects, including materials and workmanship. Properly installed and maintained product is warranted for a period of one (1) year subject to the following conditions:

1. A properly completed warranty registration card must be received by us within 30 days of sale to end user for pump sales to be considered warrantable. All pumps received for warranty consideration must retain the original NVE serial number tag.
2. The one (1) year period shall begin the day the product is shipped from our warehouse, unless we are provided with an authentic copy of the original resale invoice, in which case the one (1) year period shall begin at such invoice date.
3. The covered product must be used in an application for which it was intended. We do not recommend our product for particular uses or applications.
4. Vane breakage, or damage caused by vane breakage, is not warrantable.
5. Damage caused by improper use or lack of proper maintenance is not warrantable.
6. Manufacturer's liability under this or any other warranty, whether express or implied, is limited to repair of or, at the manufacturer's option, replacement of parts which are shown to have been defective when shipped.
7. Manufacturer's liability shall not be enforceable for any product until National Vacuum Equipment, Inc. has been paid in full for such product.
8. Except to the extent expressly stated herein, manufacturer's liability for incidental and consequential damage is hereby excluded to the full extent permitted by law.
9. Manufacturer's liability as stated herein cannot be altered except in writing signed by an officer of National Vacuum Equipment, Inc.

10. Certain products provided by National Vacuum Equipment, Inc. are covered by their respective manufacturer's warranties (e.g., engines used in the NVE engine drive packages). These products are not covered by the National Vacuum Equipment, Inc. Manufacturer's Warranty.
11. Final assemblers responsibility. NVE goes to great lengths to insure the quality and proper functionality of the products it supplies. Many products we supply are purchased for resale or are impossible or impractical to test prior to the installation of the item in a vacuum system. It is therefore the responsibility of the final assembler to thoroughly test the vacuum system and components supplied to the assembler by NVE prior to the delivery of the final product to the end user.
12. Not responsible for pump coupling tightness or alignment. Customer needs to inspect periodically to ensure proper alignment and to check tightness of set screws.

Any items found to be defective after delivery to the end user that should have been discovered prior to deliver will qualify replacement of the defective part only with absolutely no compensation for outside labor or travel expenses. Any subsequent damage to other components caused by the defective part will be the sole responsibility of the assembler.





# Automatic Lubrication System

MEC 2000

MEC 3000

MEC 4000

*See Parts Diagram opposite.*

| <b>Part #</b> | <b>Description</b>                                   |
|---------------|--|
| —             |  |
| LA1           | Bearing Cover  |
| LA11          | Hose (4mm x 6mm x 9.5")                              |
| LA13          | Hose (2 mm x 4 mm x 18.5")                           |
| LW32CD        | Piston Lubricator - Single Outlet (Clockwise)        |
| LW32CS        | Piston Lubricator - Single Outlet (Counterclockwise) |
| LF8           | Drive Tab  |
| M13           | Gasket   |
| M49           | Fitting  |
| R3            | Fitting  |
| R15           | Fitting  |
| R31           | Gasket   |
| R33           | Washer   |
| R34           | Bolt   |
| R36           | Fitting  |
| R37           | Fitting  |
| R46           | Fitting  |

# Notes:

---



---



---



---



---



---



---



---



---



---



---



---



---



---



---



---



---



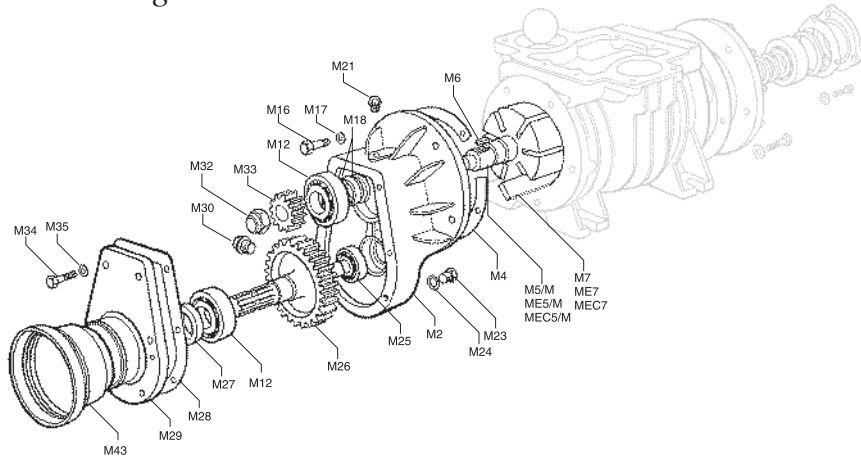
---



# MEC 2000/540 - 3000/540 - 4000/540

MEC 2000/540 – MEC 3000/540– MEC 4000/540

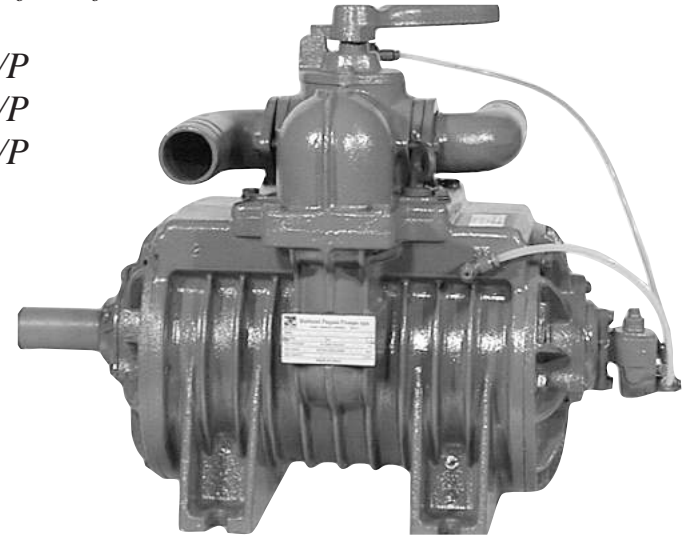
## Parts Diagram



| Part # | Description      | Part # | Description         |
|--------|------------------|--------|---------------------|
| M2     | Gear Casing      | M23    | Drain Plug          |
| M4     | Gasket           | M24    | Washer              |
| M5/M   | Rotor - 2000/540 | M25    | Bearing             |
| ME5/M  | Rotor - 3000/540 | M26    | Gear                |
| MEC5/M | Rotor - 4000/540 | M27    | Seal                |
| M6     | Key              | M28    | Gasket              |
| M7     | Vane - 2000      | M29    | Gearbox Front Cover |
| ME7    | Vane - 3000      | M30    | Plug                |
| MEC7   | Vane - 4000      | M32    | Locknut             |
| M12    | Bearing          | M33    | Gear                |
| M16    | Bolt (m10x30)    | M34    | Bolt (m8x25)        |
| M17    | Washer (10)      | M35    | Washer (8)          |
| M18    | Seal (40-52-7)   | M43    | PTO Guard           |
| M21    | Oil Fill Plug    |        |                     |

# The MEC Series Pumps

Model-Specific Information  
for the  
MEC 2000/P  
MEC 3000/P  
MEC 4000/P



## MEC Series Pump Specifications

| Model Number                       | 2000     | 3000     | 4000     |
|------------------------------------|----------|----------|----------|
| RPM Range                          | 800–1400 | 800–1400 | 800–1400 |
| Max. Air Flow-CFM                  | 90       | 120      | 145      |
| Max. Continuous Vacuum             | 20       | 20       | 20       |
| Max. Intermittent Vacuum           | 27       | 27       | 27       |
| Max. Continuous Pressure           | 15       | 15       | 15       |
| Max. Intermittent Pressure         | 30       | 30       | 30       |
| Pump Drive Rotation                | CW/CCW   | CW/CCW   | CW/CCW   |
| Porting Size                       | 2 inch   | 2 inch   | 2 inch   |
| Manifold With Four Way Valve       | Std      | Std      | Std      |
| Oil Tank Capacity-Quarts           | 1        | 1 1/4    | 1 1/2    |
| Bearings Sealed From Pump Interior | Std      | Std      | Std      |
| Anti-Spin Check Valve              | Std      | Std      | Std      |
| Automatic Lubrication System       | Opt      | Opt      | Opt      |
| Net Weight                         | 156      | 183      | 209      |

# Performance

## MEC 2000/P PERFORMANCE


| RPM  | PRESSURE PSI |    |    |    |    |    |    | VACUUM – INCHES OF MERCURY |    |    |    |    |    |    |    |    |    |
|------|--------------|----|----|----|----|----|----|----------------------------|----|----|----|----|----|----|----|----|----|
|      | 30           | 25 | 20 | 15 | 10 | 5  | 0  | 3                          | 4  | 4  | 4  | 5  | 5  | 5  | 6  | 42 |    |
| 1400 | HP           | 12 | 11 | 9  | 8  | 6  | 4  | 3                          | 4  | 87 | 86 | 84 | 80 | 77 | 71 | 64 | 5  |
|      | CFM          | 67 | 70 | 73 | 76 | 80 | 85 | 90                         | 88 | 3  | 3  | 3  | 4  | 4  | 4  | 5  | 30 |
| 1200 | HP           | 11 | 9  | 8  | 6  | 5  | 3  | 2                          | 3  | 72 | 70 | 68 | 64 | 60 | 54 | 40 | 4  |
|      | CFM          | 54 | 57 | 61 | 66 | 68 | 72 | 75                         | 74 | 2  | 2  | 3  | 3  | 3  | 4  | 4  | 20 |
| 1000 | H.P          | 9  | 8  | 6  | 5  | 4  | 3  | 2                          | 2  | 60 | 58 | 56 | 54 | 48 | 42 | 30 | 6  |
|      | CFM          | 41 | 44 | 48 | 51 | 55 | 58 | 63                         | 62 | 9  | 12 | 15 | 18 | 21 | 24 | 27 | 6  |

## MEC 3000/P PERFORMANCE

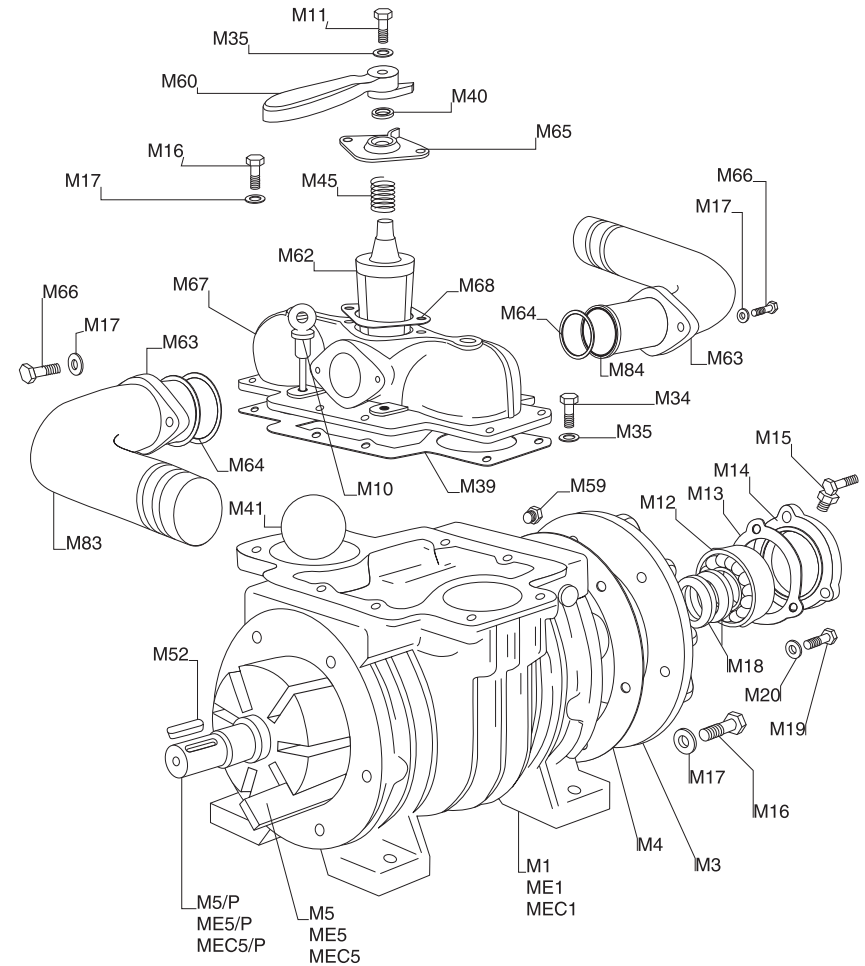
| RPM  | PRESSURE PSI |    |     |     |     |     |     | VACUUM – INCHES OF MERCURY |     |     |     |     |     |     |     |    |    |
|------|--------------|----|-----|-----|-----|-----|-----|----------------------------|-----|-----|-----|-----|-----|-----|-----|----|----|
|      | 30           | 25 | 20  | 15  | 10  | 5   | 0   | 3                          | 6   | 9   | 12  | 15  | 18  | 21  | 24  | 27 |    |
| 1400 | HP           | 20 | 18  | 15  | 12  | 10  | 7   | 6                          | 6   | 6   | 7   | 7   | 7   | 8   | 8   | 8  | 9  |
|      | CFM          | 97 | 100 | 103 | 107 | 111 | 116 | 120                        | 118 | 116 | 114 | 112 | 110 | 105 | 100 | 90 | 72 |
| 1200 | HP           | 15 | 13  | 12  | 10  | 8   | 6   | 5                          | 5   | 5   | 5   | 6   | 6   | 6   | 7   | 7  |    |
|      | CFM          | 81 | 84  | 87  | 90  | 95  | 98  | 104                        | 102 | 100 | 97  | 94  | 91  | 87  | 80  | 70 | 55 |
| 1000 | H.P          | 12 | 11  | 10  | 8   | 7   | 5   | 4                          | 4   | 4   | 5   | 5   | 5   | 5   | 6   | 6  |    |
|      | CFM          | 63 | 65  | 68  | 72  | 76  | 82  | 87                         | 85  | 83  | 81  | 78  | 75  | 70  | 65  | 55 | 35 |

## MEC 4000/P PERFORMANCE

| RPM  | PRESSURE PSI |     |     |     |     |     |     | VACUUM – INCHES OF MERCURY |     |     |     |     |     |     |     |     |    |
|------|--------------|-----|-----|-----|-----|-----|-----|----------------------------|-----|-----|-----|-----|-----|-----|-----|-----|----|
|      | 30           | 25  | 20  | 15  | 10  | 5   | 0   | 3                          | 6   | 9   | 12  | 15  | 18  | 21  | 24  | 10  |    |
| 1400 | HP           | 23  | 20  | 18  | 15  | 12  | 9   | 6                          | 7   | 7   | 8   | 8   | 8   | 9   | 9   | 9   | 90 |
|      | CFM          | 118 | 122 | 125 | 130 | 133 | 138 | 145                        | 143 | 140 | 138 | 134 | 131 | 128 | 120 | 110 | 8  |
| 1200 | HP           | 19  | 17  | 15  | 12  | 10  | 7   | 5                          | 5   | 6   | 6   | 6   | 6   | 7   | 7   | 8   | 75 |
|      | CFM          | 102 | 106 | 109 | 111 | 116 | 120 | 128                        | 125 | 123 | 120 | 117 | 115 | 110 | 100 | 90  | 7  |
| 1000 | H.P          | 15  | 14  | 12  | 10  | 8   | 6   | 4                          | 4   | 4   | 4   | 4   | 5   | 5   | 6   | 6   | 45 |
|      | CFM          | 81  | 83  | 85  | 90  | 95  | 100 | 108                        | 105 | 102 | 100 | 96  | 92  | 85  | 80  | 68  | 27 |

 Recommended Setup for optimum performance

# National Vacuum Equipment, Inc.



# Parts Diagram

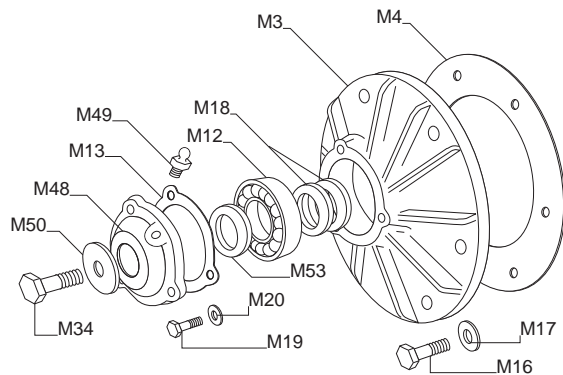
MEC 2000/P

MEC 3000/P

MEC 4000/P

Parts list continued from previous page.

| Part # | Description         | Part # | Description              |
|--------|---------------------|--------|--------------------------|
| M34    | Bolt (m8x25)        | M60    | Handle                   |
| M35    | Washer (8)          | M62    | 4-way Valve Plug         |
| M36    | Exhaust Pipe        | M63    | Flange                   |
| M39    | Gasket              | M64    | O-Ring                   |
| M40    | Seal (30-40-7)      | M65    | 4-way Valve Cover        |
| M41    | Non-Return Ball     | M66    | Bolt (m10x40)            |
| M45    | Spring              | M67    | 4-way Valve Housing      |
| M48    | Bearing Cover Plate | M68    | 4-way Valve Cover Gasket |
| M49    | Fitting             | M83    | 2" Hose Connection       |
| M50    | Washer              |        |                          |
| M51    | Bolt                |        |                          |
| M52    | Key                 |        |                          |
| M53    | Seal (35-52-10)     |        |                          |



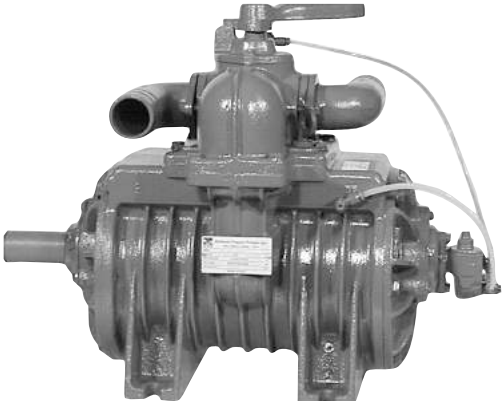
# System requirements

## High quality components

- The pump body and rotor are constructed of cast iron with free sliding vanes made of special nonmetallic, heat resistant material.
- Because vanes are nonmetallic, flammable fluids may be handled without danger.
- Vanes wear evenly because tips always remain in contact with the wall surface.
- For maximum life and proper performance we recommend the use of our compatible components, Portal F-801-2A, Moisture Trap F-901-2A, and Oil Catch Muffler F-1002-4A.

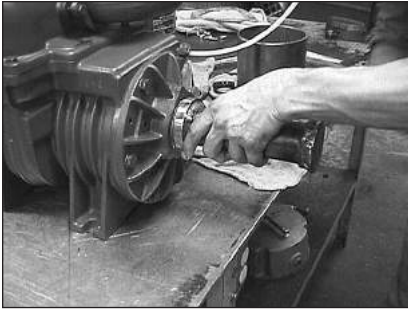
# Parts List – MEC /P Series Pumps

*MEC 2000/P*  
*MEC 3000/P*  
*MEC 4000/P*



*See Parts Diagram on the next page.*

| <b>Part #</b> | <b>Description</b> |
|---------------|--------------------|
| —             |                    |
| M1            | Housing - 2000     |
| ME1           | Housing - 3000     |
| MEC1          | Housing - 4000     |
| M3            | Rear Endplate      |
| M3/P          | Front Endplate     |
| M4            | Gasket             |
| M5/P          | Rotor - 2000/P     |
| ME5/P         | Rotor - 3000/P     |
| MEC5/P        | Rotor - 4000/P     |
| M5            | Vane - 2000        |
| ME5           | Vane - 3000        |
| MEC5          | Vane - 4000        |
| AM10          | Dipstick (mm .79)  |
| AM11          | Bolt (m8x20)       |
| M12           | Bearing            |
| M13           | Gasket             |
| M16           | Bolt (m10x30)      |
| M17           | Washer (10)        |
| M18           | Seal (40-52-7)     |
| M20           | Washer             |
| M27           | Gasket             |



provided with an authentic copy of the original resale invoice, in which case the one (1) year period shall begin at such invoice date.

3. The covered product must be used in an application for which it was intended. We do not recommend our product for particular uses or applications.



4. Vane breakage, or damage caused by vane breakage, is not warrantable.

5. Damage caused by improper use or lack of proper maintenance is not warrantable.

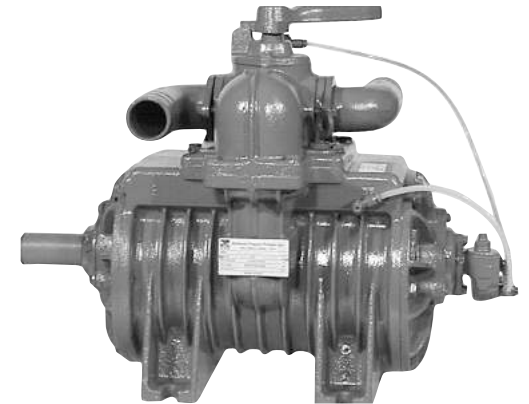
6. Manufacturer's liability under this or any other warranty, whether express or implied, is limited to repair of or, at the manufacturers option, replacement of

parts which are shown to have been defective when shipped.

7. Manufacturer's liability shall not be enforceable for any product until National Vacuum Equipment, Inc. has been paid in full for such product.
8. Except to the extent expressly stated herein, manufacturer's liability for incidental and consequential damage is hereby excluded to the full extent permitted by law.
9. Manufacturer's liability as stated herein cannot be altered except in writing signed by an officer of National Vacuum Equipment, Inc.
10. Certain products provided by National Vacuum Equipment, Inc. are covered by their respective manufacturer's warranties (e.g., engines used in the

## Operating Instructions

*MEC 2000/P*  
*MEC 3000/P*  
*MEC 4000/P*




---

### Installation

- Check pump rotation. See *Determining the Rotation of Pump*.
- Pump should always be mounted in a level, horizontal position on a firm, flat surface.
- Grade 5 bolts should be used in installation. It is important to use flat washers and lock washers.
- We recommend the use of oil resistant hose on both the inlet and outlet sides of the pump. If using direct drive system, always use a flexible coupling. We recommend the use of Woods Sure Flex Couplers.
- If a muffler is used on discharge side of pump, inlet and outlet of muffler must be at least equal to inside diameter of pump outlet.

---

## Lubrication procedure for all vacuum pumps on start up

(This procedure must be followed prior to the operation of a new vacuum pump.):

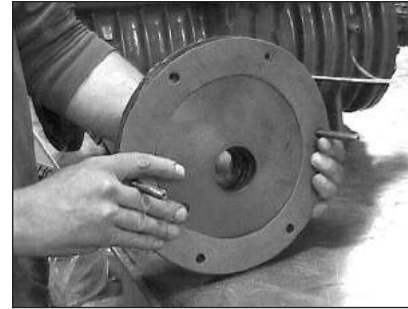
- With force feed lubrication type, install dripper on top of pump and connect rubber lines.\*
- Remove dipstick and fill oil reservoir with recommended turbine oil.
- With 540 RPM pumps: fill gear housing to level of clear plastic sight plug on the side of the housing with SAE 90 gear oil.
- Remove plastic cap on air inlet and pour 2 oz. turbine oil into pump. Start pump slowly and with valve in suction position, pour 2 oz. turbine oil into air inlet.
- At this point oil should be visible in the dripper or oil lines. Adjust dripper flow to 1 drop every 2 seconds.

*\*Dripper will be shipped loose or taped to the bottom of the changeover valve handle.*

---

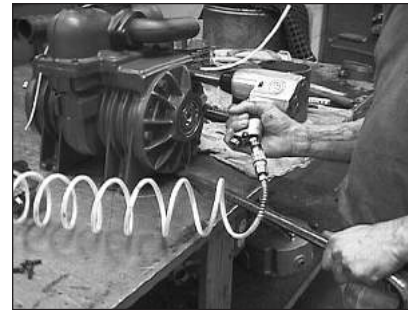
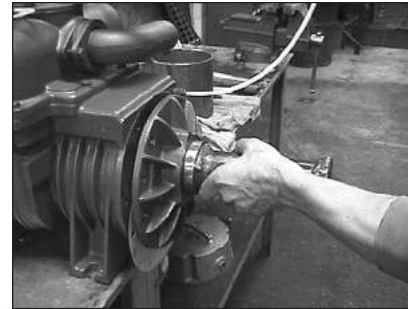
## Automatic oil pump

- The automatic oil pumps are set at the factory during pump testing and should require no further adjustment during pump installation.
- The pumps are adjusted to one drop every two seconds per outlet. This oil rate equals 2.7 fluid oz. per hour.

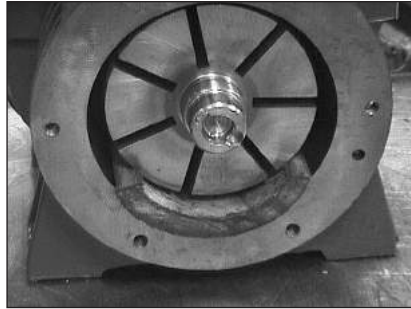
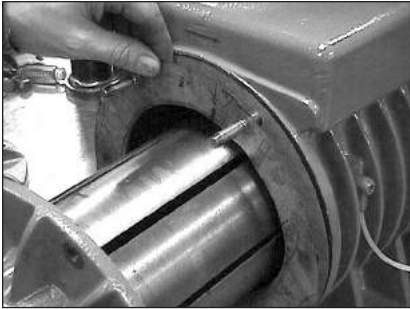


The pump is now ready to run.

24. Start the pump at a slow RPM and allow to run for a few minutes until oil can be seen in the lines or dripper.







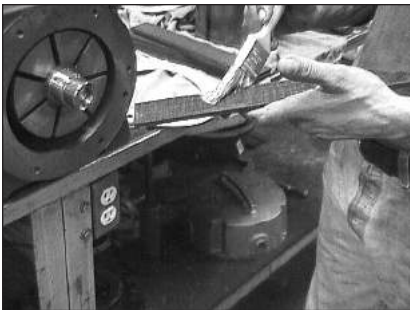
endplate bolts to 35-40 ft lb of torque.

Tighten both endplates in this manner.

20. Seat the bearings on both endplates with a bearing driver or punch.
21. At this point you should be able to turn the pump by hand.
22. Install the seal in the front bearing cover.

Lubricate the seal and seal surface on the rotor and install the front bearing cover.

Reinstall the oil pump drive key, oil pump mount assembly, and gaskets to the pump.



Be sure to line up the oil pump drive key and the oil pump shaft prior to tightening the assembly to the pump.

23. Connect the oil lines to the oil pump.

## Adjusting the automatic oil pump

The automatic oil pump is a metered piston-type pump.

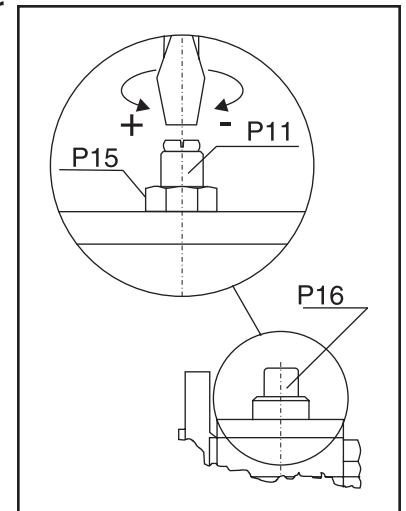
If you wish to adjust the pump, please follow these instructions:

### Adjusting the oil rate

Oil flow is changed by adjusting the length of the stroke of the piston.

1. To adjust the oil rate, remove cap #P16. Under this cap you will find a jam nut #P15 and adjusting screw #P11.
2. To adjust oil rate loosen jam nut and turn adjusting screw clockwise to reduce oil flow or counterclockwise to increase oil flow.
3. When making adjustments do so one turn of the screw at a time and test before making further adjustments.
4. Be careful to not turn adjusting screw too far counterclockwise as you may disengage the gears and strip them out.

### Testing flow rate after adjustment



1. Observe oil drip rate in oil view meter or oil line to ensure adequate lubrication.
2. Adjustments should be done gradually so as not to starve the vacuum pump of oil.

---

## Recommended lubrication

We recommend that turbine grade oil be used in all our pumps. Turbine oil is more highly refined than motor oil and is much less likely to create carbon. Turbine oil is available from your local oil distributor. Below is a list of acceptable oils.

Acceptable oils include:

1. \*NVE ISO 68 Oil
2. Penzoi Penzabell 68 T.O.
3. Shell Turbo 68
4. Mobil D.T.E. Heavy - Medium
5. Texaco Regal R & O 68

\* NVE ISO 68 Oil is our recommended pump oil for the Challenger series vacuum pumps. Challenger Vacuum Pump Oil is sold by the case, six 1 gallon containers of oil per case.

---

## Normal operation for air cooled pumps:

1. Check oil reservoir daily and fill as required.
2. When pump is in operation check oiler to insure flow of oil to pump.
3. Do not operate pump faster than recommended RPM.
4. To operate suction valve on top of pump, move handle in the appropriate direction for either vacuum or pressure; center it for neutral.
5. We recommend checking vane wear every twelve months. A new vane is nearly flush with the rotor. Measure the wear and if is over 1/4" we recommend replacing vanes. It's good to always keep a spare set of vanes on hand for emergencies.

www.natvac.com | 800.253.5500



Locate the two 10x50mm bolts used for pulling the endplate and insert them in bolt holes on either side of the endplate to capture the gaskets.

17. Lubricate seal sleeve and install the endplate on the end of the rotor and carefully drive the endplate on the rotor.



18. When the endplate is close enough to the housing install the endplate bolts lift the endplate-rotor assembly to allow



proper alignment of the bolts and bolt holes and start the bolts into the housing.

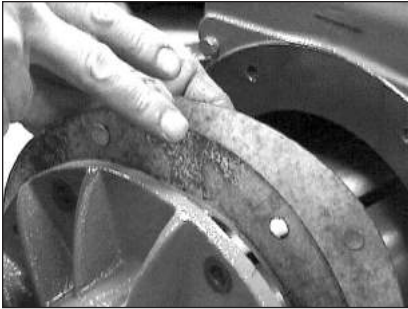
Just prior to making contact with the housing, lift the endplate-rotor assembly allow the endplate to enter the housing.

Tighten endplate bolts to the point where the endplate just touches the housing.



19. With a prybar and a block of wood, lift the endplate to make certain the seal gap is properly set and tighten the

www.natvac.com | 800.253.5500



9. Lubricate and install the bearings in the endplates.

10. Locate two pieces of threaded rod 3/8-18 thd. to use as guides and screw them into the two top holes in the housing.

Locate proper number of gaskets and slide on the threaded rods.

Do not use any gasket sealer.

11. Lubricate the housing bore.

12. Lubricate seal sleeve and drive the proper endplate on the input end of the rotor.

13. Slide rotor-endplate assembly into the pump housing.

Slide the cushion material used during disassembly under the rotor on the opposite end to gain leverage during assembly of endplate to housing.



14. Lift the rotor-endplate assembly and slide over the 3/8 inch threaded guides and install the endplate bolts.

Tighten the bolts sufficiently to make contact between the endplate and the housing.

15. Coat vanes with oil and install the vanes in the rotor. The vanes should slide freely in the vane slots.

16. Locate the proper number of gaskets and install them on the rear endplate.

Do not use any gasket sealer.

## Maintenance

- With force feed type, the lubrication rate is adjustable at dripper and should be checked on a regular basis. Oil should be supplied to pump at a rate of 1 drop every 2 seconds.
- Average usage of oil is approximately 1-2 qts. per 40 hours, depending on operation.
- Oil should be changed every 2000 hours in gear per housing, if equipped.
- Front bearing should be greased approximately every 4 months. Use caution when greasing bearing not to over grease, as this can cause damage to seals.
- Normal vane life is approximately 2000 hours; however, this will vary greatly with temperature, material being pumped and proper maintenance.
- Occasionally liquid and dirt may enter the pump causing vanes to stick in the rotor slots along with excessive vane and housing wear. When this occurs you must clean the inside of the pump.

### Cleaning the inside of the pump

- Remove air inlet hose or pressure relief valve.
- Run pump at an idle with the changeover valve in neutral.
- Pour 1 pint of diesel fuel into pump through the air inlet or fitting. Allow pump to run for 30 seconds then turn the change over valve to vacuum.
- Repeat two steps above several times, and then pour 2 oz. of oil into the pump and reassemble.
- Stop pump and turn slowly by hand while listening for vanes dropping. All vanes should move freely in the rotor slot.

- It is good practice to clean your pump on a regular basis as this will normally increase the life of your pump greatly.
- Vane wear should be checked every 12 months. A new vane will be flush with the outside diameter of the rotor.
- When vane wear exceeds 1/4" the vanes should be replaced. It is a good idea to have an extra set of vanes, seals and gaskets on hand at all times.

## Determining the rotation of the pump

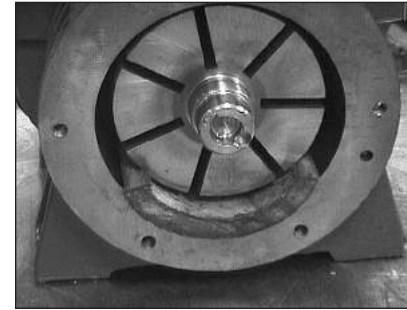
### As one faces the drive end of the pump:

- For 1000 RPM pumps with the oiler on the right side, the pump shaft turns clockwise.
- For gear driven pumps (540 RPM) with the oiler on the right side, the pump shaft turns counterclockwise.
- If you must change the rotation of your pump contact the factory for instructions before attempting it.

only as much material as is necessary to give a smooth clean bore.

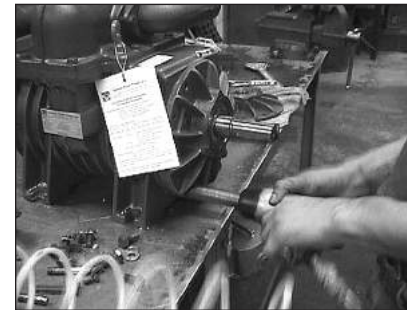
The maximum over bore we recommend is .060 inch. (A new housing has a bore of 6.300 inches.)

If you bore or hone the housing, remove the four way valve assembly and internal check valve ball prior to machining.



7. Inspect vanes, bearings and seals and replace as necessary.

A new vane is flush with the outside diameter of the rotor.



If they are worn more than 1/4" they should be replaced.

We recommend replacing vanes in sets.

If the ends of the vanes are chipped or delaminated they should be replaced.

The seals should be soft and pliable.



The bearing should turn smoothly.

8. Locate the replacement seals and install them in the endplates with the seals positioned back to back.

Replace the seal in the bearing cover with the lip facing outward.



3. Remove the six bolts attaching the endplate to the housing.



Support the rotor shaft prior to loosening the last bolt.

Slide the rotor out

4. Remove the front endplate, front bearing and bearing cover from the rotor with a puller or hydraulic press.

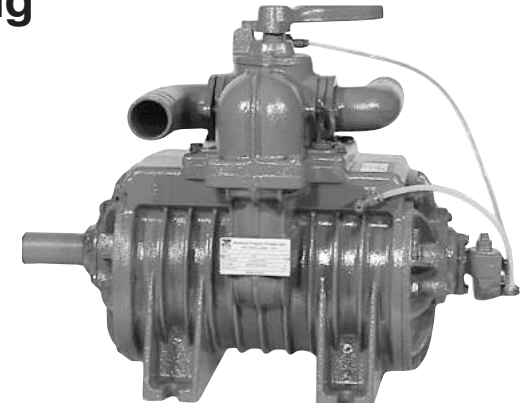
Put an identifying mark on the endplate so as to not confuse it with the rear.

5. Count the number of gaskets.
6. Clean the rotor, rotor slots and housing and inspect for wear or damage.

If the housing needs to be bored or honed, remove

## Troubleshooting

*MEC 2000/P*  
*MEC 3000/P*  
*MEC 4000/P*




---

### Pump overheats

- No oil in pump
- Oil adjustment set too lean
- Rpm too fast
- Prolonged operation

---

### Too much oil use

- Oil adjustment set too rich
- Oil seals defective
- Cracked pump body

---

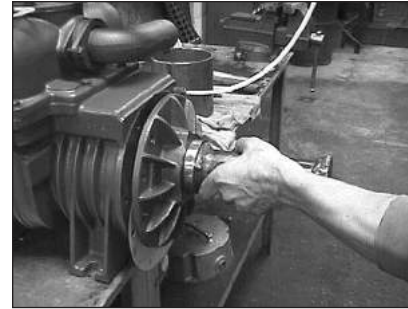
### Pump doesn't turn

- Broken vane
- Frozen
- Pump endplate bolts too tight
- Faulty PTO or drive set up

---

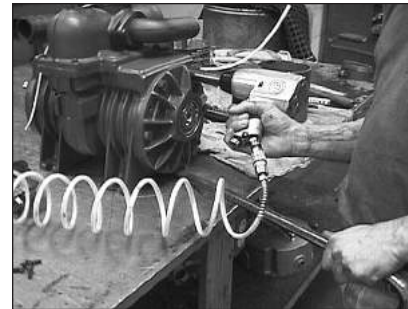
## No vacuum or pressure in tank

- Suction valve in neutral
- Defective seal or vanes
- Pump not driven fast enough
- Check valve or suction line clogged
- Leak in tank or fittings



16. At this point you should be able to turn the pump by hand.

17. Reinstall the oil pump drive key and oil pump mount assembly to the pump.



Be sure to line up the oil pump drive key and the oil pump shaft prior to tightening the assembly to the pump.

18. Connect the oil lines to the oil pump .

The pump is now ready to run.

19. Start the pump at a slow RPM and allow to run for a few minutes until oil can be seen in the lines.

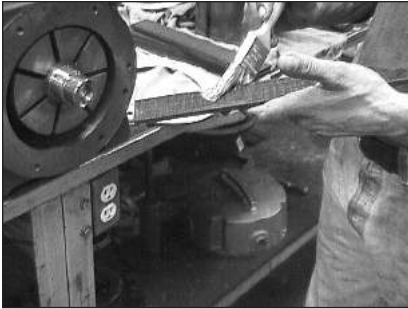
The pump is now ready to go to work.



---

## Complete rebuild

1. Follow steps 1-7 in the vane replacement instructions.
2. Place a cushion under the rotor to prevent damage when the front endplate is unbolted.



Locate the two 10x50mm bolts used for pulling the endplate and insert them in bolt holes on either side of the endplate to capture the gasket.

13. Lubricate seal sleeve and install the endplate on the end of the rotor and carefully drive the endplate on the rotor.



14. When the endplate is close enough to the housing install the endplate bolts lift the endplate-rotor assembly to allow proper alignment of the bolts and bolt holes and start the bolts into the housing.



Just prior to making contact with the housing, lift the endplate-rotor assembly again to insure proper clearance between the rotor and the housing.

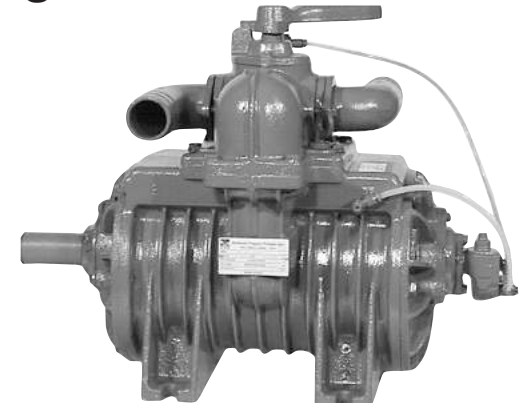
Tighten endplate bolts to 35-40 ft lb of torque.

15. Seat the bearing with a bearing driver or punch.

## Pump Rebuilding

*MEC 2000/P*  
*MEC 3000/P*  
*MEC 4000/P*

**Please read these instructions completely before attempting repair.**



### Vane checking



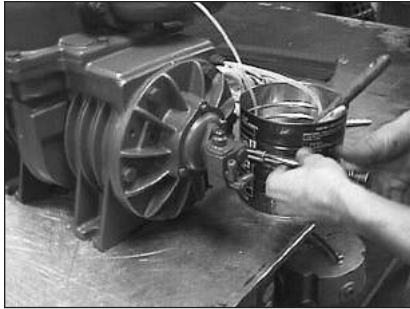
1. MEC pumps are equipped with a vane checking port.
2. Remove the Allen head plug in an endplate.
3. Measure the wear.
4. If the wear is more than 1/4" the vanes should be replaced.

### Vane replacement

1. Clean off the exterior of the pump.

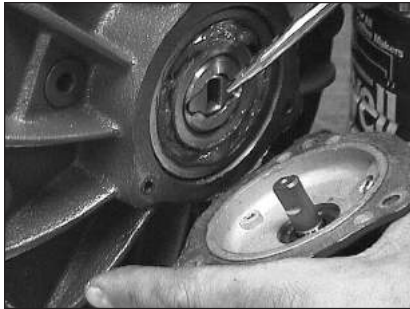


2. Remove the oil supply line at the oil pump and drain the oil tank.
3. Remove the 3 6x20mm screws attaching the oil pump assembly to the vacuum pump.
4. Remove the oil pump drive key from the end of the rotor.



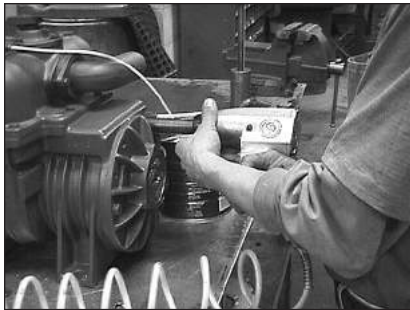
5. Remove the six bolts that attach the endplate to the pump.

Secure two 10x50mm bolts to screw into pull holes.



Screw the bolts into the pull holes evenly and pull off the endplate.

If you cannot locate 10x50mm bolts, you can use the endplate bolts and shim behind the endplate as the endplate comes off.

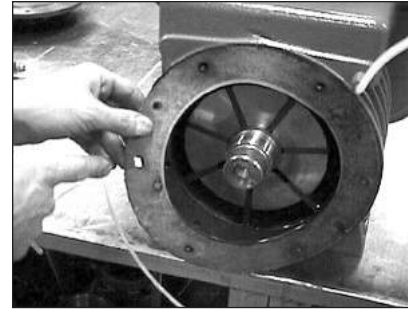
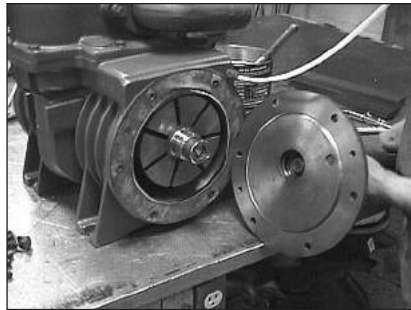


6. Note the number of gaskets on the endplate. You must use the same number of gaskets during reassembly.

7. Inspect vanes, bearings and seals and replace as necessary.

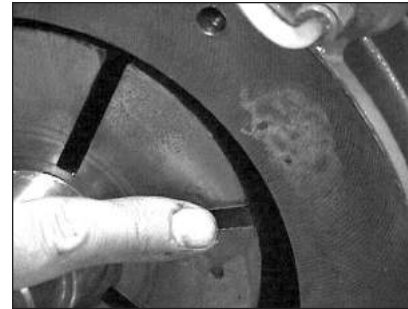
A new vane is flush with the outside diameter of the rotor.

If they are worn more than 1/4" they should be replaced.



We recommend replacing vanes in sets.

If the ends of the vanes are chipped or delaminated they should be replaced.



The seals should be soft and pliable.

The bearing should turn smoothly.

8. Clean the rotor, rotor slots and housing and inspect for wear or damage.
9. Coat the housing and vanes with oil and install the vanes in the rotor. The vanes should slide freely in the vane slot.
10. Locate the replacement seals and install them in the endplate with the seals positioned back to back.
11. Lubricate and install the bearing in the endplate.
12. Locate the proper number of gaskets and install them on the endplate.

Do not use any gasket sealer.