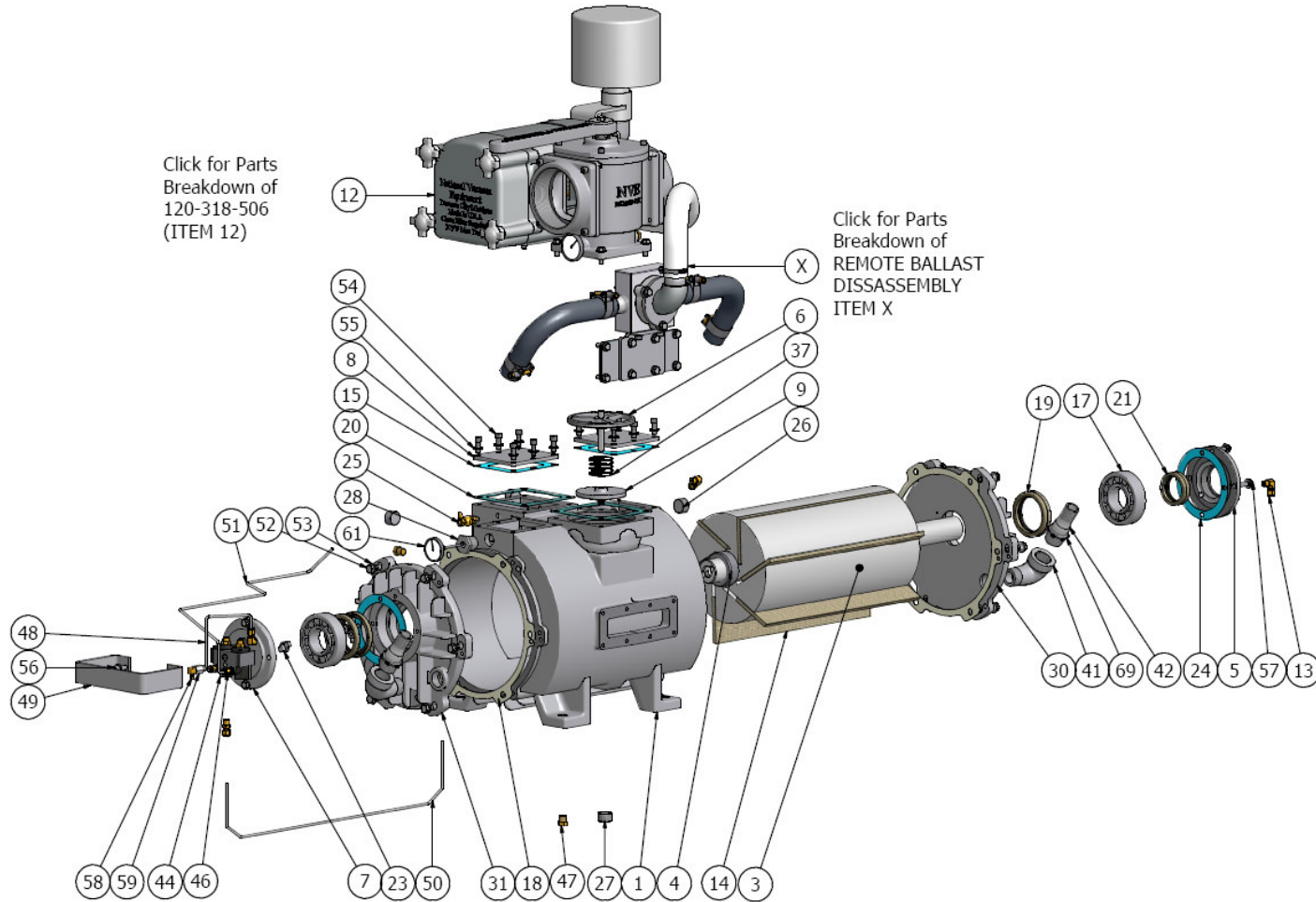


506 Liquid Cooled Challenger

102-506-LD (CW) & 102-506-LS (CCW)



Click for Parts Breakdown of 120-318-506 (ITEM 12)

Click for Parts Breakdown of REMOTE BALLAST DISSASSEMBLY ITEM X

Click for Parts Breakdown of 320-LW32-A(D/S) (ITEM 44)

LIQUID PARTS LIST – 506 CHALLENGER

ITEM	QTY	PART NUMBER	DESCRIPTION
1	1	120-001-506-L	HOUSING, 506 LIQUID COOLED
3	1	120-005-506-(D OR S)	Rotor, 506 (CW OR CCW)
4	2	120-009-506	Seal Sleeve, 460, 466 & 506
5	1	120-054-506	Bearing Cover
6	1	120-042-506	Retainer, 4" Check Valve
7	1	120-080-506	Bearing Cover, 506 Oil Pump
8	2	120-021-506	COVER PLATE, 506 TOP JACKET
9	1	120-041-506	Check Valve, 4"
11	1	120-098-506	BALLAST PORT, CHECK POPPET
12	1	120-318-506	4-Way & Filter Ass., 4"
13	3	320-004	Oil Fitting (4mm x 1/8"BSPT 90 Elbow)
14	6	120-007-506	Vane: 506
15	2	120-022-506	GASKET, 506 TOP COVER PLATE
17	2	120-019-506	Bearing, NJ309
18	2	120-004-506	Gasket, End Plate 466
19	4	120-018-506	SEAL, 65 X 85 X 8 VITON
20	2	120-039-506	Gasket, 4" Int/Exh Flange
21	2	120-053-506	Seal, 45x62x8 Viton
22	1	120-006	Key, 3/8"x3/8"x1
23	1	320-LF8	Drive Tab
24	2	120-055-506	Gasket, Bearing Cover
25	1	120-102	Valve, Drain 1/8" NPT
26	3	120-047	Drain Plug, 3/4" NPT
27	1	120-047-1	Drain Plug, 3/4" NPT Magnetic
28	1	120-049	Bushing, 3/4"NPTx1/8"NPT
30	1	120-003-506-D	Endplate, CW 466 & 506
31	1	120-003-506-S	Endplate, CCW 466 & 506

ITEM	QTY	PART NUMBER	DESCRIPTION
37	2	120-046-367	SPRING, CHECK VALVE 367
41	2	90 Deg Street Elbow	Street Elbow
42	4	440-100	NIPPLE, KING 1" NPT
44	1	320-LW32-A(D OR S)	Oil Pump, 3 Port (CW or CCW)
45	1	320-R31	Gasket, Oil Pump
46	3	320-003	Oil Fitting (4mm x 1/8"BSPT STR)
47	2	120-058-506	Plug, Brass 1/8" NPT, Hex Hd.
48	1	320-017-506-L(D OR S)	OIL LINE, 506 LIQ REAR BEARING
49	1	120-079-506	GUARD, W506 OIL PUMP
50	1	320-015-506-L(D OR S)	OIL LINE, 506 FRT BNG TO OIL PUMP
51	1	320-016-506-L(D OR S)	OIL LINE, 506 INTAKE TO PUMP
52	12	B1-0612	Bolt, HHCS 3/8"16UNC x 1 1/2"
53	12	B8-0601	Flat Washer (3/8")
54	14	B2-0507	SSCS, 5/16"-18UNC x 7/8"
55	41	B8-0503	5/16 Lock Washer
56	2	B2-0510	Screw, SHCS 5/16" UNC x 1 1/4"
57	18	B1-0508	Bolt, HHCS 5/16"UNC x 1"
58	1	320-116	Hose Barb, 5/32" x 1/8"NPT
59	1	320-112	1/8" Female NPT x 1/8" Male BSPT
60	2	B2-0404	Screw, SHCS 1/4" UNC x 1/2"
61	1	120-220	1/4" NPT Thermometer 400 F
X	1	REMOTE BALLAST	Remote Ballast Filter Assembly
69	2	CPF-1	1" Conduit Pipe Fitting Locknut