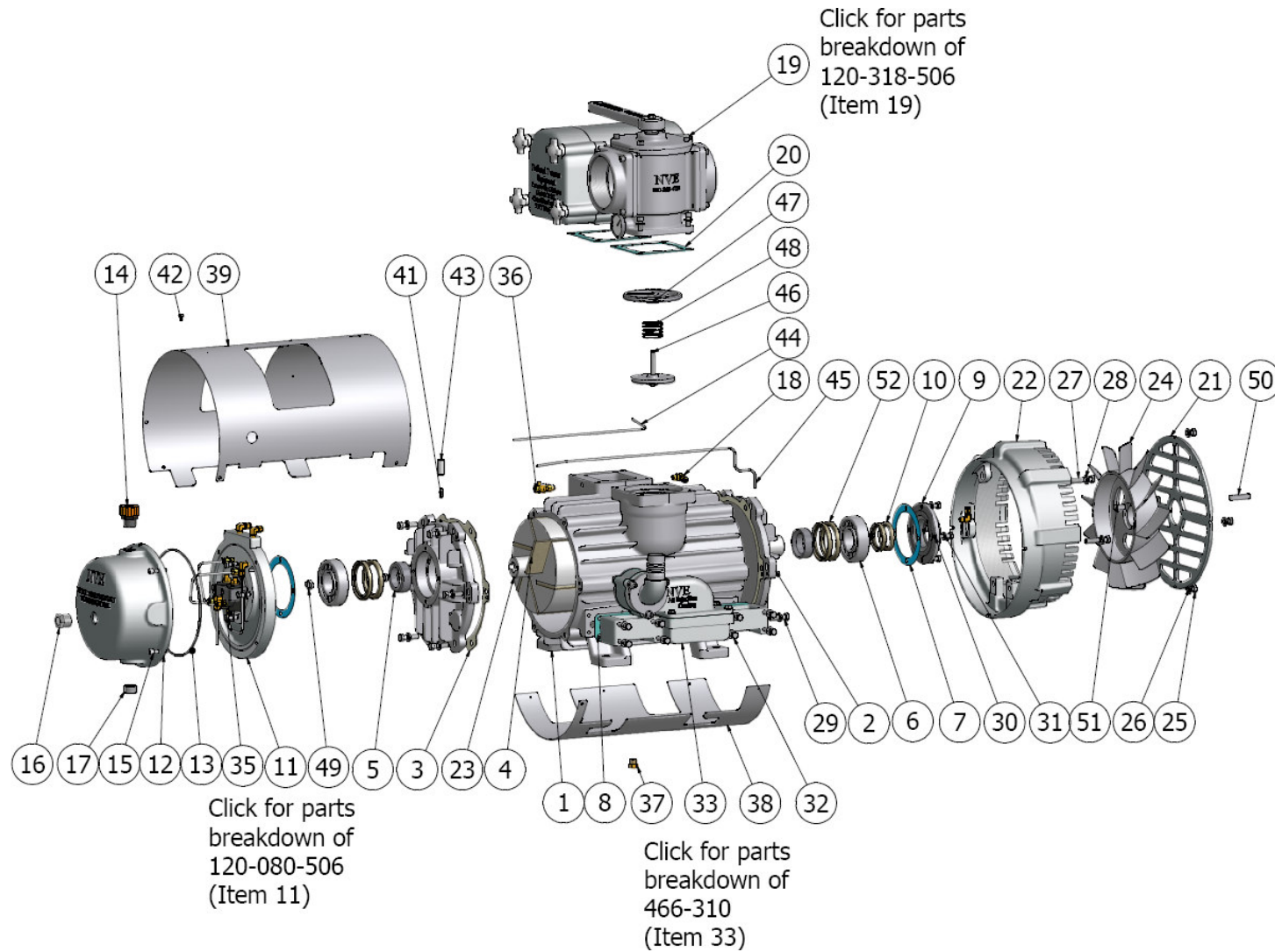


506 Fan Cooled Challenger

102-506-FD (CW) & 102-506-FS (CCW)



FAN PARTS LIST – 506 CHALLENGER

ITEM	QTY	PART NUMBER	DESCRIPTION
1	1	120-001-506	Housing, 466
2	2	120-003-506	Endplate, 466 & 506
3	2	120-004-506	Gasket, End Plate 466
4	6	120-007-506	Vane: 506
5	2	120-009-506	Seal Sleeve, 460, 466 & 506
6	2	120-019-506	Bearing, NJ309
7	2	120-055-506	Gasket, Bearing Cover
8	1	120-097-506-M	Gasket, Lower Ballast Manifold
9	1	120-054-506	Bearing Cover
10	2	120-053-506	Seal, 45x62x8 Viton
11	1	120-080-506-D	Oil Tank Mount Assembly
12	1	120-082	Oil Tank, 360 & 460
13	1	120-081	O-Ring, 2-270 Nitrile
14	1	120-010	Oil Cap, 360 thru 466 Plug
15	12	B2-0510	*Varies*
16	1	120-048	Sight Eye, 3/4" NPT, Hex Hd.
17	1	120-047	Drain Plug, 3/4" NPT
18	2	320-002	Oil Fitting (4mm x 1/8"NPT Elbow)
19	1	120-318-506	4-Way & Filter Ass., 4"
20	2	120-039-506	Gasket, 4" Int/Exh Flange
21	1	120-073	Fan Guard, 367, 460, 466 & 506
22	1	120-074-506	Fan Shroud, 466
23	1	120-005-506-D	Rotor, 506 CW
24	1	120-083-506-D	Fan Assembly
25	4	B1-0604	Bolt, HHCS 3/8"16UNC x 1/2"
26	4	B8-0601	Flat Washer (3/8")
27	4	B1-0616	Bolt, HHCS 3/8"16UNC x 2"

ITEM	QTY	PART NUMBER	DESCRIPTION
28	12	B8-0603	Lock Washer, 3/8"
29	8	B1-0612	Bolt, HHCS 3/8"16UNC x 1 1/2"
30	4	B1-0512	Bolt, HHCS 5/16"UNC x 1 1/2"
31	24	B8-0503	5/16 Lock Washer
32	8	B1-0526	Bolt, HHCS 5/16"-18UNC x 3.25"
33	1	466-310	Ballast Port Assembly
35	4	B1-0515	Bolt, HHCS 5/16"-18UNC x 1.875"
36	1	120-102	Valve, Drain 1/8" NPT
37	2	120-058-506	Plug, Brass 1/8" NPT, Hex Hd.
38	1	120-070-506-D	Shroud, Lower
39	1	120-071-506-D	Shroud, Upper
40	2	B2-0507	SSCS, 5/16"-18UNC x 7/8"
41	1	B3-0406	Set Screw, 1/4"20UNC x 3/4"
42	1	B2-0403	Screw, 1/4" x 3/8" Button Head
43	1	120-077-506	Shroud Support, 460 & 466 & 506
44	1	320-016-506-D	Oil Line, Inlet
45	1	320-015-506-D	Oil Line, Front Bearing
46	1	120-041-506	Check Valve, 4"
47	1	120-042-506	Retainer, 4" Check Valve
48	1	120-046-367	SPRING, CHECK VALVE 367
49	1	320-LF8	Drive Tab
50	1	120-006	Key, 3/8"x3/8"x1
51	1	120-076	Key, 3/8"x3/8"x1
52	4	120-018-506	SEAL, 65 X 85 X 8 VITON