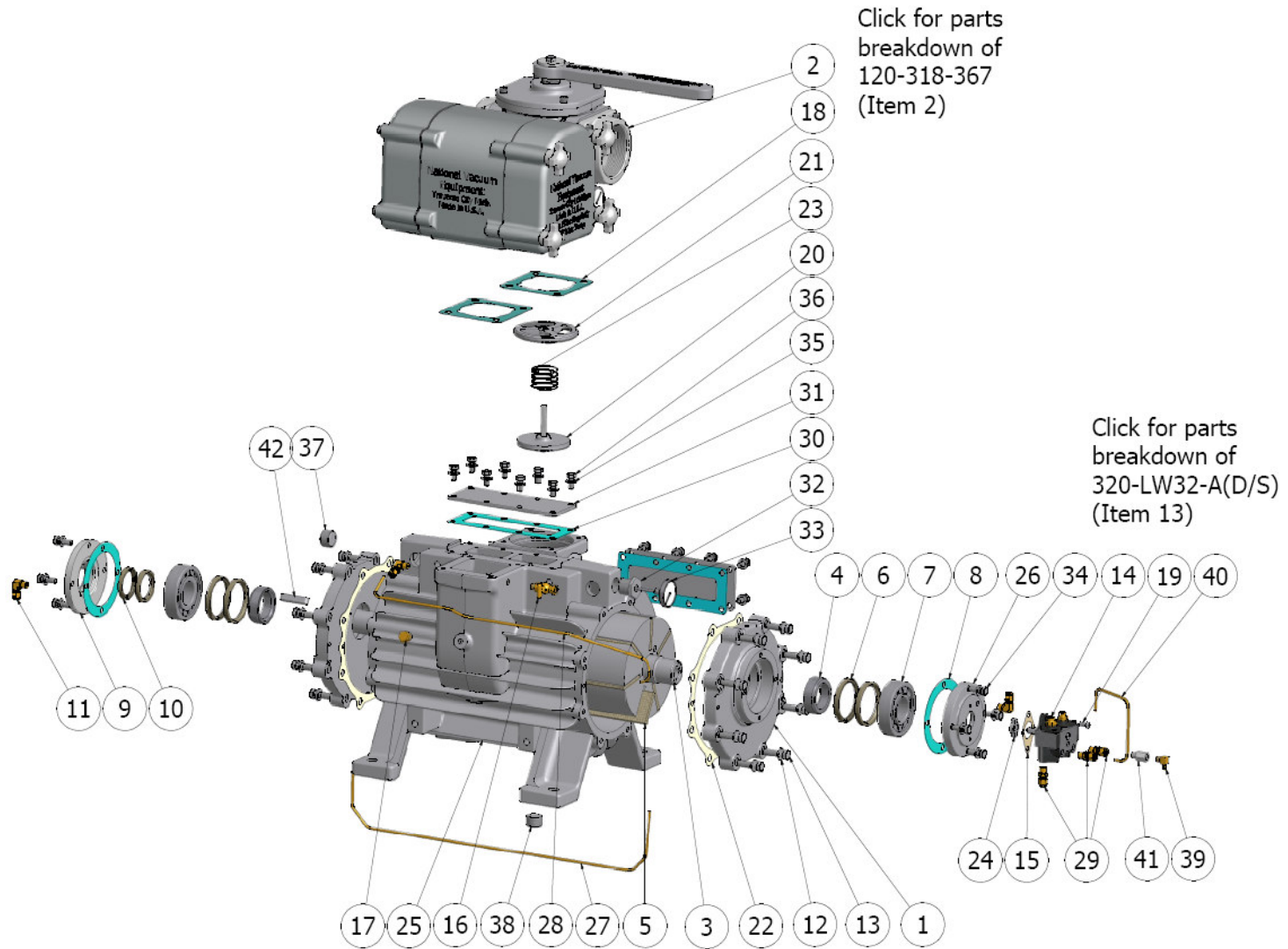


# 367 Liquid Cooled Challenger

100-367-LD (CW) & 100-367-LS (CCW)



**LIQUID COOLED PUMP – 367 CHALLENGER**

ITEM	QTY	PART NUMBER	DESCRIPTION
1	2	120-003-367-(D/S)	End Plate, 367
2	1	120-318-367	4-Way Valve & Filter Assy 3"
3	1	120-005-367	Rotor, Hvy Dty 360
4	2	120-009-367	Seal Sleeve, 360HD & 367
5	7	120-007-367	Vane: 350, 360 & 367
6	4	120-018-367	Seal, 60x72x8 Viton Sgl Lip
7	2	120-019-367	Bearing, NJ 308 L1308B
8	2	120-055-367	Gasket, Front Bearing Cover
9	1	120-054-367	Bearing Cover, 360 & 367
10	2	120-053	Seal, 40x52x7 Viton
11	3	320-002	Oil Fitting (4mm x 1/8"NPT Elbow)
12	16	B8-0601	Flat Washer (3/8")
13	16	B1-0612	Bolt, HHCS 3/8"16UNC x 1 1/2"
14	1	320-LW32A(D/S)	Oil Pump 3 Port
15	1	320-R31	Gasket, Oil Pump
16	1	120-102	Valve, Drain 1/8" NPT
17	1	120-058-506	Plug, Brass 1/8" NPT, Hex Hd.
18	2	120-039-367	Gasket, Flange Int/Exh
19	2	B2-0404	Screw, SHCS 1/4" UNC x 1/2"
20	1	120-041-367	Poppet, 3" Check Valve
21	1	120-042-367	Retainer Ring, 3" (360 & 367)
22	2	120-004-367	Gasket, 367 End Plate
23	1	120-046-367	SPRING, CHECK VALVE 367
24	1	320-LF8	Drive Tab
25	1	120-001-367-L	Housing, 367 Water Cooled
26	1	120-054-367-L	Bearing Cover, 360 & 367
27	1	320-024-367-LD	Oil Line, W367 - Front Bearing

ITEM	QTY	PART NUMBER	DESCRIPTION
28	1	320-025-367-LS	Oil Line, W367 CCS - Inlet
29	3	320-003	Oil Fitting (4mm x 1/8"BSPT STR)
30	2	120-022-367	GASKET, 367/506 COVER PLATE
31	2	120-021-367	COVER PLATE, 367/506 WATER JACKET
32	1	120-049	Bushing, 3/4"NPTx1/8"NPT
33	1	120-220	1/4" NPT Thermometer 400 F
34	12	B1-0508	Bolt, HHCS 5/16"UNC x 1"
35	28	B8-0503	5/16 Lock Washer
36	16	B1-0506	Bolt - HHCS 5/16"UNC x 3/4"
37	1	120-047	Drain Plug, 3/4" NPT
38	1	120-047-1	Drain Plug, 3/4" NPT Magnetic
39	1	320-116	Hose Barb, 5/32" x 1/8"NPT
40	1	320-020-367-L(D/S)	Oil Line, W367 - Rear Bearing
41	1	320-112	1/8" Female NPT x 1/8" Male BSPT
42	1	120-006	Key, 3/8"x3/8"x1